

Excellent Integrated System Limited

Stocking Distributor

Click to view price, real time Inventory, Delivery & Lifecycle Information:

[Johanson Technology Inc.](#)
[2450BP15J0100E](#)

For any questions, you can email us directly:
sales@integrated-circuit.com

High Frequency Ceramic Solutions

2.45 GHz Band Pass Filter **P/N 2450BP15J0100**
 Detail Specification: 06/28/2011 Page 1 of 3

General Specifications

Part Number	2450BP15J0100	
Frequency (MHz)	2400 - 2500	
Attenuation (min.)	746 - 764 MHz	25 dB
Attenuation (min.)	824 - 849 MHz	30 dB
Attenuation (min.)	869 - 960 MHz	26 dB
Attenuation (min.)	1570 - 1580 MHz	28 dB
Attenuation (min.)	1710 - 1785 MHz	23 dB
Attenuation (min.)	1850 ~ 1910MHz	30 dB
Attenuation (min.)	1930 - 1990 MHz	30 dB
Attenuation (min.)	2110 - 2170 MHz	30 dB
Attenuation (min.)	3300 - 3800 MHz	15 dB
Attenuation (min.)	4800 - 5000MHz	20 dB
Attenuation (min.)	7200 - 7500 MHz	20 dB

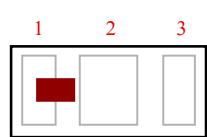
Insertion Loss	2.5 dB max.
Return Loss	10 dB min.
Input Power	3 Watts max.
Impedance	50 Ω
Reel Quantity	4,000
Operating Temperature	-30 to +85°C
Storage Temperature	-40 to +85°C

Note: I/O DC blocks are embedded

P/N Suffix	Packaging	Bulk	Suffix = S	Eg. 2450BP15J0100
	Style	T & R	Suffix = E	Eg. 2450BP15J0100E
	Termination	100% Tin	Suffix = None	Eg. 2450BP15J0100(E or S)
	Style	Tin / Lead	Suffix = /Pb	Consult Factory

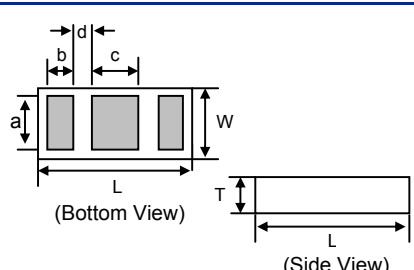
Terminal Configuration

No.	Function
1	I/O
2	GND
3	I/O



*This is a symmetrical device

Mechanical Dimensions

	In	mm	
L	0.079 ± 0.006	2.00 ± 0.15	
W	0.049 ± 0.004	1.25 ± 0.10	
T	0.018 ± 0.002	0.45 ± 0.05	
a	0.037 ± 0.004	0.95 ± 0.10	
b	0.011 ± 0.004	0.275 ± 0.10	
c	0.024 ± 0.004	0.60 ± 0.10	
d	0.010 ± 0.002	0.25 ± 0.05	

Johanson Technology, Inc. reserves the right to make design changes without notice.
 All sales are subject to Johanson Technology, Inc. terms and conditions.

High Frequency Ceramic Solutions

2.45 GHz Band Pass Filter

P/N 2450BP15J0100

Detail Specification: 06/28/2011

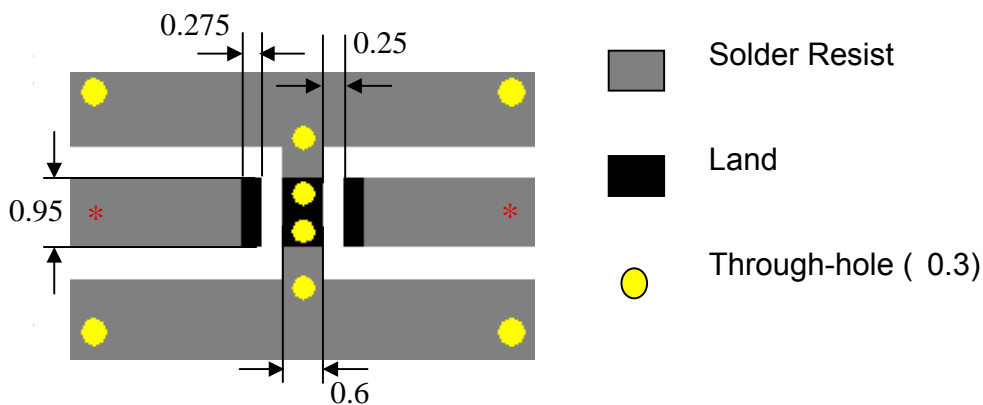
Page 2 of 3

Mounting Considerations

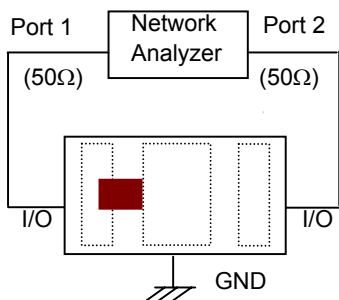
Mount these devices with brown mark facing up.

* Line width should be designed to provide 50 Ω impedance matching characteristics.

Units: mm



Measuring Diagram



Johanson Technology, Inc. reserves the right to make design changes without notice.

All sales are subject to Johanson Technology, Inc. terms and conditions.

High Frequency Ceramic Solutions

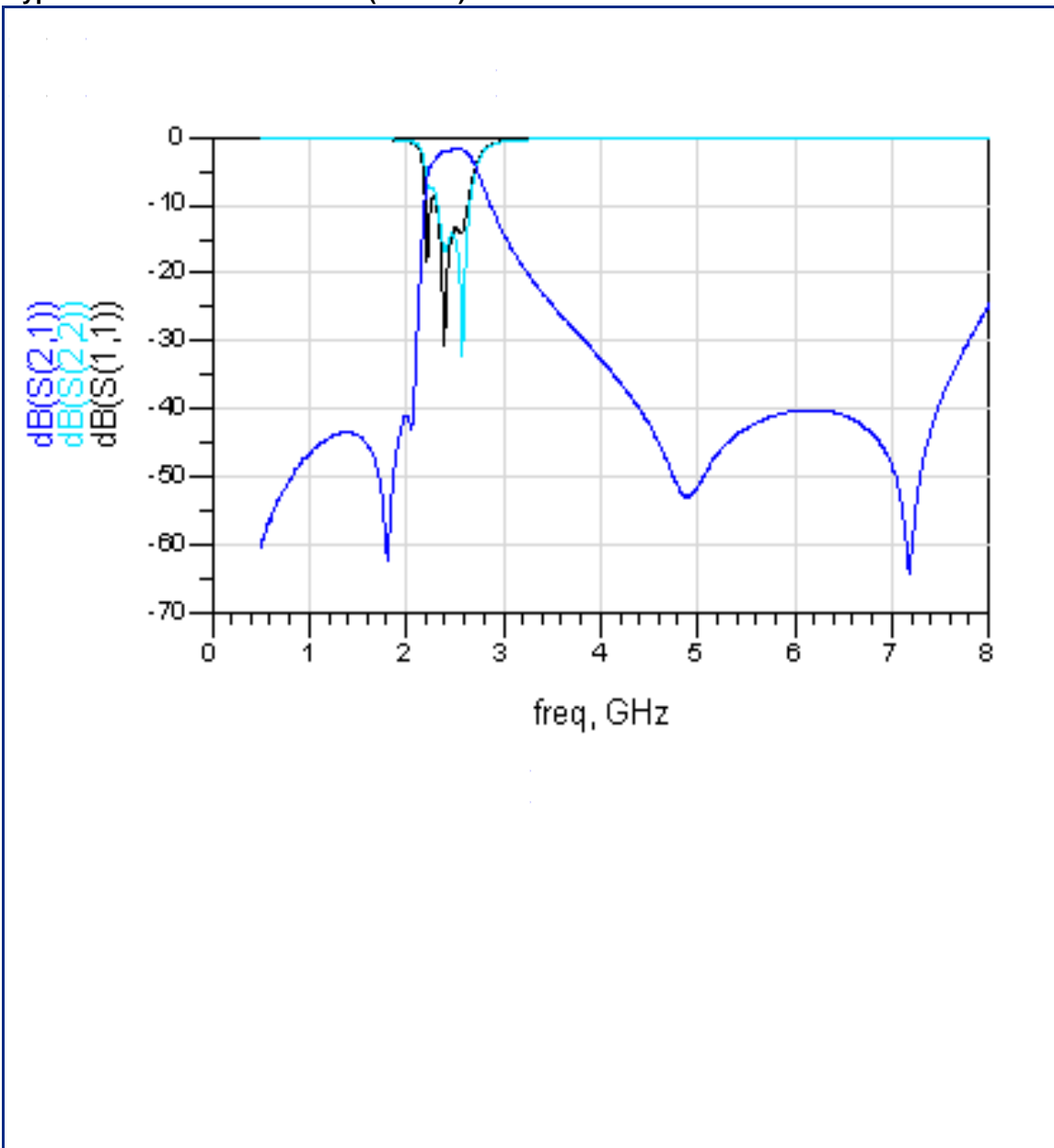
2.45 GHz Band Pass Filter

P/N 2450BP15J0100

Detail Specification: 06/28/2011

Page 3 of 3

Typical Electrical Performance (T=25°C)



Johanson Technology, Inc. reserves the right to make design changes without notice.

All sales are subject to Johanson Technology, Inc. terms and conditions.