

Excellent Integrated System Limited

Stocking Distributor

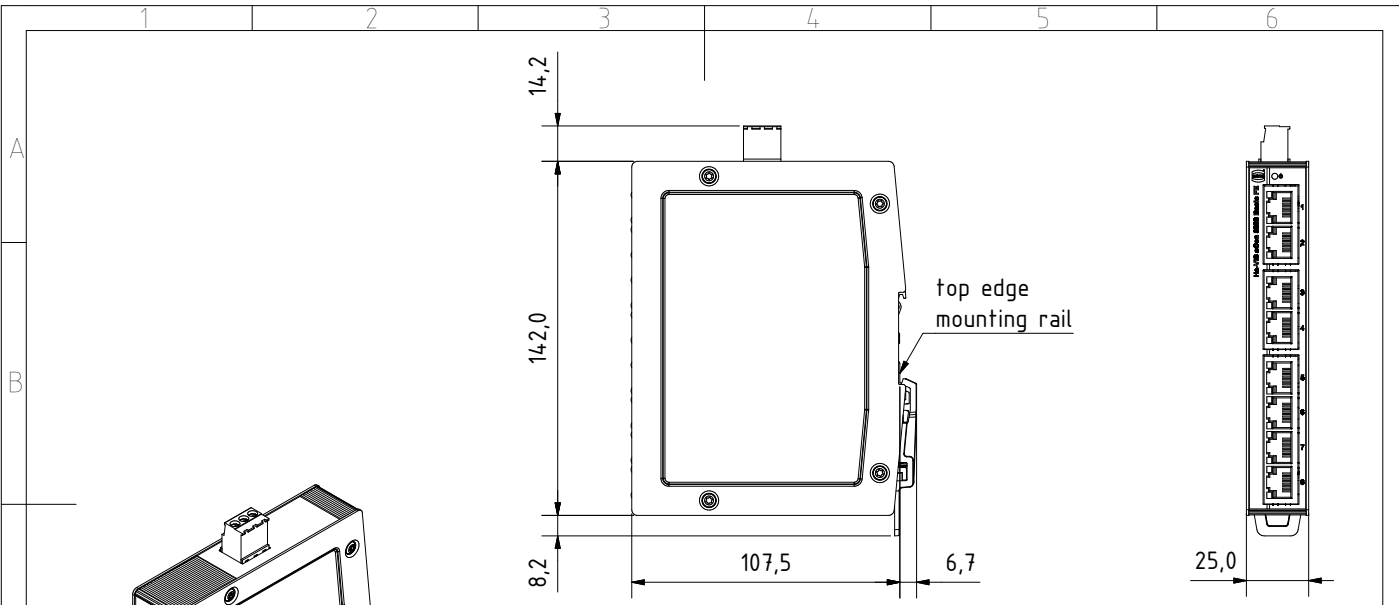
Click to view price, real time Inventory, Delivery & Lifecycle Information:

[Harting](#)

[24030080010](#)

For any questions, you can email us directly:

sales@integrated-circuit.com



for mounting rail acc.to DIN EN 60715

	All Dimensions in mm Original Size DIN A4		Scale 1:2	Free size tol.		Ref. Sub.	
	All rights reserved Department EL PD - DE		Created by REH	Inspected by KLA	Standardisation TIE	Date 2014-01-16	State Final Release
HARTING Electric GmbH & Co. KG D-32339 Espelkamp		Title Ha-VIS eCon 3080B-A				Doc-Key / ECM-Nr.	
		Type TB	Number 24030080010		Rev. A	Page 1/1	