

## Excellent Integrated System Limited

Stocking Distributor

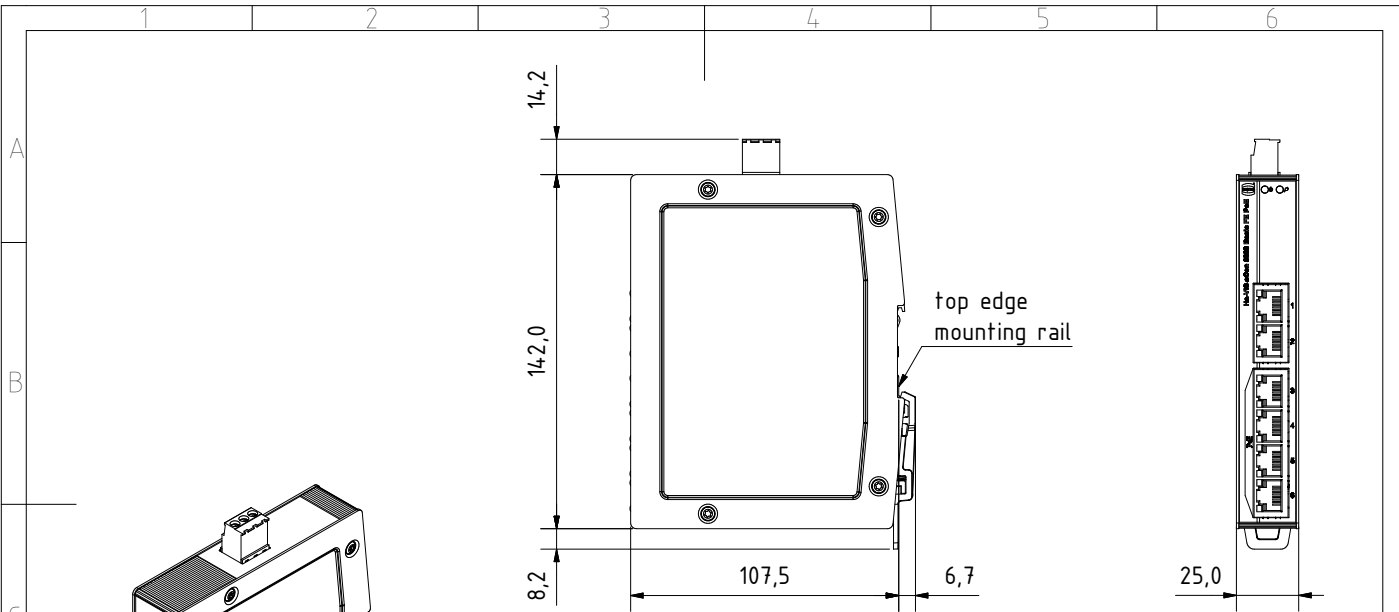
Click to view price, real time Inventory, Delivery & Lifecycle Information:

[Harting](#)


[24030060030](#)

For any questions, you can email us directly:

[sales@integrated-circuit.com](mailto:sales@integrated-circuit.com)



for mounting rail acc.to DIN EN 60715

|   |  |  |                                       |                              |                        |                    |                        |
|---|--|--|---------------------------------------|------------------------------|------------------------|--------------------|------------------------|
|  | All Dimensions in mm<br>Original Size DIN A4 |  | Scale<br><b>1:2</b>                   | Free size tol.               |                        | Ref.<br>Sub.       |                        |
|   | All rights reserved<br>Department EL PD - DE |  | Created by<br>REH                     | Inspected by<br>KLA          | Standardisation<br>TIE | Date<br>2014-01-16 | State<br>Final Release |
| HARTING Electric GmbH & Co. KG<br>D-32339 Espelkamp                                 |  |  | Title<br><b>Ha-VIS eCon 3060B-A-P</b> |                              |                        | Doc-Key / ECM-Nr.  |                        |
|   |  |  | Type<br><b>TB</b>                     | Number<br><b>24030060030</b> |                        | Rev.<br><b>A</b>   | Page<br>1/1            |