

Excellent Integrated System Limited

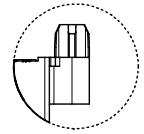
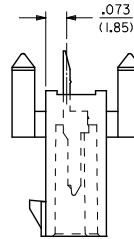
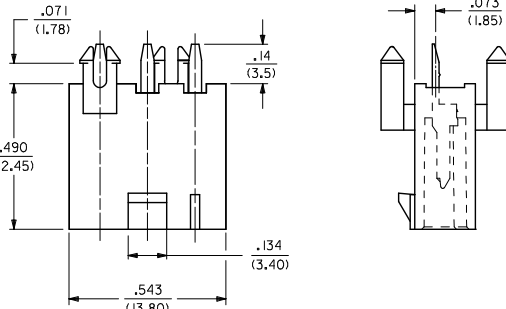
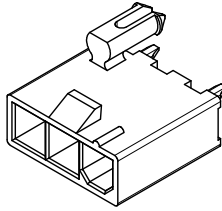
Stocking Distributor

Click to view price, real time Inventory, Delivery & Lifecycle Information:

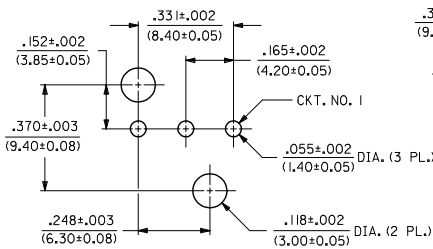
[Molex Connector Corporation](#)
[0039305038](#)

For any questions, you can email us directly:
sales@integrated-circuit.com

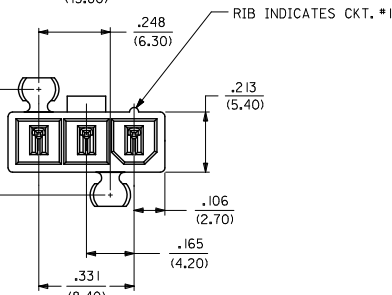
- NOTES:
- MATERIALS:
HOUSING:
BLANK=NYLON 6/6, UNFILLED UL94 V-2, COLOR: NATURAL
130=GLASS FILLED LCP, UL94 V-0, COLOR: NATURAL
210=NYLON 6/6, UNFILLED UL94 V-0, COLOR: NATURAL
400=NYLON 6/6, UNFILLED UL94 V-0, COLOR: BLACK
TERMINALS:
BRASS
2. TERMINAL PLATING:
BLANK=.000035/(0.00090) MIN. BRIGHT TIN OVER
.000020/(0.00050) MIN. COPPER
GS2=.00015/(0.00038) MIN. SELECT GOLD AND
.000100/(0.00254) MIN. SELECT MATTE TIN
OVER .000050/(0.00127) MIN. NICKEL OVERALL
GS=.000030/(0.00076) MIN. SELECT GOLD AND
.000100/(0.00254) MIN. SELECT MATTE TIN
OVER .000050/(0.00127) MIN. NICKEL OVERALL
S=.000100/(0.00254) MIN. BRIGHT TIN OVER
.000050/(0.00127) MIN. NICKEL
MS=.000100/(0.00254) MIN. MATTE TIN OVER
.000050/(0.00127) MIN. NICKEL
3. PRODUCT SPECIFICATION: PS-5556-001
4. PACKAGING: TRAY PACKED PER PK-5566-002
5. PART MATES WITH MINI-FIT JR. RECEPTACLE NO. 5557.
6. ALL DIMENSIONS ARE REFERENCE UNLESS OTHERWISE
SPECIFIED.
7. PART IS NOT DESIGNED FOR CURRENT SHARING.
8. PARTS ARE NOT TO BE MATED OR UN-MATED WHILE
CIRCUITS ARE LIVE.
9. PART CONFORMS TO CLASS "B" REQUIREMENTS OF
COSMETIC SPECIFICATION PS-45499-002.



PRESS FIT PEG OPTION



RECOMMENDED HOLE LAYOUT FOR
.070/(1.78) MAX. THICK P. C. BOARD



LEGEND

5566-03A3*-***

BASE NO. _____

CIRCUIT SIZE _____

MOUNTING _____
3 = SNAP FIT PEGS
15 = PRESS FIT PEGS

PLATING _____
(SEE NOTE 2)

HOUSING MATERIAL _____
(SEE NOTE 1)

ADD MS P/N'S	QUALITY SYMBOLS	GENERAL TOLERANCES (UNLESS SPECIFIED)		DIMENSION STYLE		SCALE	DESIGN UNITS	THIRD ANGLE PROJECTION
		mm	INCH	IN/MM	DATE			
EC NO: UCF2016-0302	▽=0	4 PLACES	±---	DRAWN BY	DATE	4:1	METRIC	MINI-FIT JR. VERT. HDR. ASSY. W/PEGS (SINGLE ROW)
DRW: JMOUIT	▽=0.10	3 PLACES	±---	GEP	1990/06/07			
CHKD: BELL	▽=0.25	2 PLACES	±.020	CHECKED BY	DATE			
APPR: SMITH	▽=0.50	1 PLACE	±---	RJF	1990/06/07			
REV	▽=0	0 PLACE	±---	APPROVED BY	DATE			
				F SMITH	2012/09/05			molex
				MATERIAL NO.	DOCUMENT NO.			
				ANGULAR ±1/2°				SDA-5566-03*3*
				DRAFT WHERE APPLICABLE MUST REMAIN WITHIN DIMENSIONS	SEE CHART			SHEET NO. 1 OF 1
					SIZE C	THIS DRAWING CONTAINS INFORMATION THAT IS PROPRIETARY TO MOLEX INCORPORATED AND SHOULD NOT BE USED WITHOUT WRITTEN PERMISSION		