

## Excellent Integrated System Limited

Stocking Distributor

Click to view price, real time Inventory, Delivery & Lifecycle Information:

[Molex Connector Corporation](#)  
[0192900080](#)

For any questions, you can email us directly:

[sales@integrated-circuit.com](mailto:sales@integrated-circuit.com)

Crimp Tool Kit for 1/0 AWG Imperium and Imperium Plus Terminals

<p><b>Crimp Tool Kit</b> For Imperium and Imperium Plus</p>	 <p><b>Application Tooling Specification Sheet</b></p>	 <p><b>Order No. 19290-0080</b></p>
---	---	--

**SCOPE**

**Tooling:** Shank style Crimp Tool Kits are used with the Hydraulic Head Crimper with the Air/Hydraulic Pump (19286-1000). Refer to the appropriate tool instruction manual for installation and operation information.

**Products:** Imperium and Imperium Plus Terminals to 1/0 AWG bare and pre-tinned copper wire. Refer to the Product part number charts on this sheet for terminals.

**Testing**

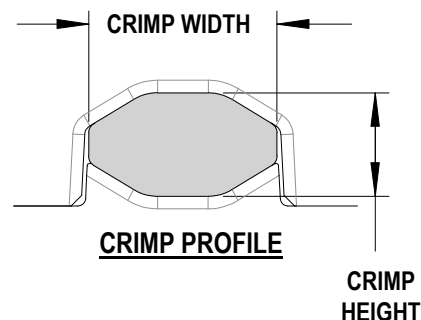
The tensile test or pull test is a means of evaluating the mechanical properties of the crimped connections. The following chart shows the specifications for the wire size. The tensile strength is shown in Newtons and (pounds) and indicates the minimum acceptable force to break or separate the terminal from the conductor.

Wire Size (AWG)	Minimum Pull (UL 486)
1/0	1112N (250 lbs.)

**Crimp measurement**

After crimping, the terminal crimp profiles should measure the following:

Terminal Series	Wire Size		Crimp Height (Ref)		Crimp Width (Ref)	
	AWG	Wire Style	mm	In.	mm	In.
171423 / 171562	1/0	Bare Copper Pre-Tinned	8.70-8.90	.342-.350	12.50-12.70	.492-.500
31561	1/0	Bare Copper Pre-Tinned	8.70-8.90	.342-.350	12.55-12.75	.494-.502



The following is a Partial List of the Product Part Numbers and their specifications that this tooling is designed to crimp. We will be adding to this list and an up to date copy is available on [www.molex.com](http://www.molex.com).

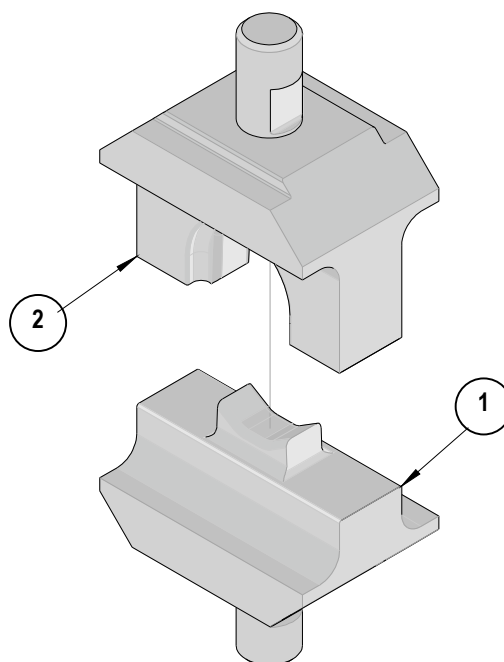
Terminal Series	Terminal No.	Wire Size (AWG)	Wire Strands / AWG	Wire Strip Length	
				In	mm
171423	171423-1302	1/0	1007 / 30, 1045 / 30	0.87	22
171562	171562-7003				
31561	31561-7000				

**CAUTION:** Molex crimp specifications are valid only when used with Molex terminals and tooling.

Crimp Tool Kit for 1/0 AWG Imperium and Imperium Plus Terminals

**Parts List**

Item	Order No.	Description	Qty
	<b>19290-0080</b>	<b>Crimp Tooling Kit</b>	<b>REF</b>
1	19290-0082	Conductor Anvil	1
2	19290-0083	Conductor Punch	1



Visit our Web site at <http://www.molex.com>