

Excellent Integrated System Limited

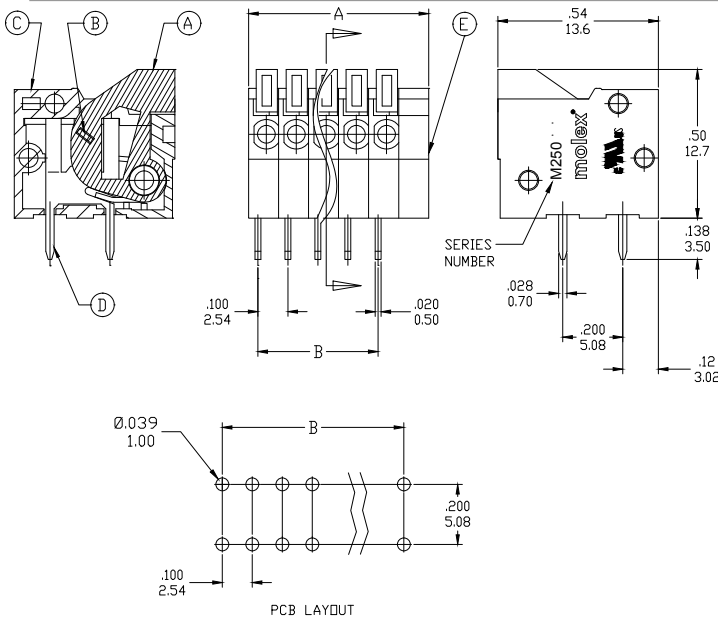
Stocking Distributor

Click to view price, real time Inventory, Delivery & Lifecycle Information:

[Molex Connector Corporation](#)
[0397000003](#)

For any questions, you can email us directly:

sales@integrated-circuit.com



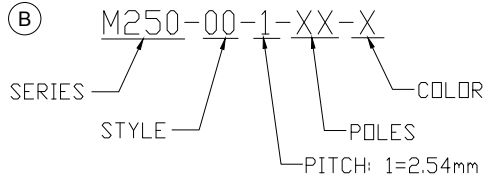
PART NUMBER DATA							
CIRCUITS	PART NUMBER	ENGINEERING NUMBER	COLOR	A IN	mm	B IN	mm
2	397000002	M250-00-1-02-3	GREEN	.30	7.6	.100	2.54
3	397000003	M250-00-1-03-3	GREEN	.40	10.2	.200	5.08
4	397000004	M250-00-1-04-3	GREEN	.50	12.7	.300	7.62
5	397000005	M250-00-1-05-3	GREEN	.60	15.2	.400	10.16
6	397000006	M250-00-1-06-3	GREEN	.70	17.8	.500	12.70
7	397000007	M250-00-1-07-3	GREEN	.80	20.3	.600	15.24
8	397000008	M250-00-1-08-3	GREEN	.90	22.9	.700	17.78
9	397000009	M250-00-1-09-3	GREEN	1.00	25.4	.800	20.32
10	397000010	M250-00-1-10-3	GREEN	1.10	27.9	.900	22.86
11	397000011	M250-00-1-11-3	GREEN	1.20	30.5	1.000	25.40
12	397000012	M250-00-1-12-3	GREEN	1.30	33.0	1.100	27.94
13	397000013	M250-00-1-13-3	GREEN	1.40	35.6	1.200	30.48
14	397000014	M250-00-1-14-3	GREEN	1.50	38.1	1.300	33.02
15	397000015	M250-00-1-15-3	GREEN	1.60	40.6	1.400	35.56
16	397000016	M250-00-1-16-3	GREEN	1.70	43.2	1.500	38.10
17	397000017	M250-00-1-17-3	GREEN	1.80	45.7	1.600	40.64
18	397000018	M250-00-1-18-3	GREEN	1.90	48.3	1.700	43.18
19	397000019	M250-00-1-19-3	GREEN	2.00	50.8	1.800	45.72
20	397000020	M250-00-1-20-3	GREEN	2.10	53.3	1.900	48.26
21	397000021	M250-00-1-21-3	GREEN	2.20	55.9	2.000	50.80
22	397000022	M250-00-1-22-3	GREEN	2.30	58.4	2.100	53.34
23	397000023	M250-00-1-23-3	GREEN	2.40	61.0	2.200	55.88
24	397000024	M250-00-1-24-3	GREEN	2.50	63.5	2.300	58.42

SPECIFICATIONS: (B)

- MATERIAL:
 - A. BUTTON: PA66 UL94 V-0
 - B. SPRING: ST. STEEL
 - C. BODY : PA66 UL94 V-0
 - D. TERMINAL: BRASS TIN PLATED
 - E. COVER: PA66 UL94 V-0
- WIRE SIZE: 26 - 20AWG
- ELECTRICAL RATING (UL): 150V, 2A
- WIRE STRIP LENGTH: .18 (4.5mm)
- POWER FREQUENCY WITHSTAND: AC 2000V FOR 1 MINUTE
- INSULATION RESISTANCE: DC 500V, 500MΩ
- RATED IMPULSE VOLTAGE: 2500V PLUS AND MINUS 5 TIMES EACH
- OPERATING TEMPERATURE: -40°C TO +105°C
- MAX SOLDERING TEMPERATURE: +260°C FOR 5 SECONDS
- DIMS SHOWN ARE FOR REFERENCE ONLY

CONTACT FACTORY FOR OPTIONAL COLORS

ENGINEERING NUMBER LEGEND



REVD ENG NO. & SPECS EC NO: JPC2014-1482 DRWN: RSTONE 2/18/14 CHKD: G FARNSW 20/40/225 APPR: JFMURPHY 20/31/226 REV B	QUALITY SYMBOL ▽=0 ▽=0	GENERAL TOLERANCES (UNLESS SPECIFIED) <table border="1"> <tr><th></th><th>mm</th><th>INCH</th></tr> <tr><td>4 PLACES</td><td>±---</td><td>±---</td></tr> <tr><td>3 PLACES</td><td>±---</td><td>±.005</td></tr> <tr><td>2 PLACES</td><td>±0.13</td><td>±.01</td></tr> <tr><td>1 PLACE</td><td>±0.3</td><td>±---</td></tr> </table> ANGULAR ±---°		mm	INCH	4 PLACES	±---	±---	3 PLACES	±---	±.005	2 PLACES	±0.13	±.01	1 PLACE	±0.3	±---	DIMENSION STYLE IN/MM DRAWN BY: RSTONE DATE: 2013/10/02 CHECKED BY: G FARNSW DATE: 2013/12/20 APPROVED BY: JFMURPHY DATE: 2013/12/26	SCALE: --- DESIGN UNITS: METRIC THIRD ANGLE PROJECTION	TITLE: SPRING TERMINAL BLOCK .100 (2.54) PITCH HORIZONTAL MODULAR MOLEX INCORPORATED	MATERIAL NO. SEE TABLE SIZE C	DOCUMENT NO. SD-39700-001	SHEET NO. 1 OF 1
		mm	INCH																				
	4 PLACES	±---	±---																				
	3 PLACES	±---	±.005																				
2 PLACES	±0.13	±.01																					
1 PLACE	±0.3	±---																					
DRAFT WHERE APPLICABLE MUST REMAIN WITHIN DIMENSIONS																							
THIS DRAWING CONTAINS INFORMATION THAT IS PROPRIETARY TO MOLEX INCORPORATED AND SHOULD NOT BE USED WITHOUT WRITTEN PERMISSION																							
MOLEX INCORPORATED																							