

Excellent Integrated System Limited

Stocking Distributor

Click to view price, real time Inventory, Delivery & Lifecycle Information:

[Molex Connector Corporation](#)

[0622018830](#)

For any questions, you can email us directly:

sales@integrated-circuit.com

GbX-Twist™ Wafer Alignment Tool

<p>GbX-Twist™ Wafer Alignment Tool</p>		
	<p>Application Tooling Specification Sheet</p>	
<p>Order No. 62201-8830</p>		

FEATURES

- Tool aligns wafers as daughtercard is pressed into PCB
- Used with the 5 pair daughtercard insertion tool 62202-2008
- Suitable for left, right, and dual-guided daughtercard assemblies

SCOPE

Products: GbX-Twist™ Daughtercard Assembly, 171200 Series (5-Pair by 10 Column Assemblies). See Product List below for specific part numbers.

Product List

The following is a partial list of the product order numbers and their specifications this tool is designed to run. Updates to this list are available on www.molex.com.

Series No.	Assembly Order Number	
171200	171200-0001	171200-0002

Tool Setup

Depending on the guide module(s) installed on the daughtercard assembly, this tool can be used with dual-guide, left-guide, or right-guide options. There is a “dummy block” that can be installed on the side of the tool that does not engage a guide module. For dual-guide assemblies, the dummy block is reversed and stored on the outside of the tool.

Use a 2.5mm hex key to remove the M3 screw holding the dummy block. See Figure 1.

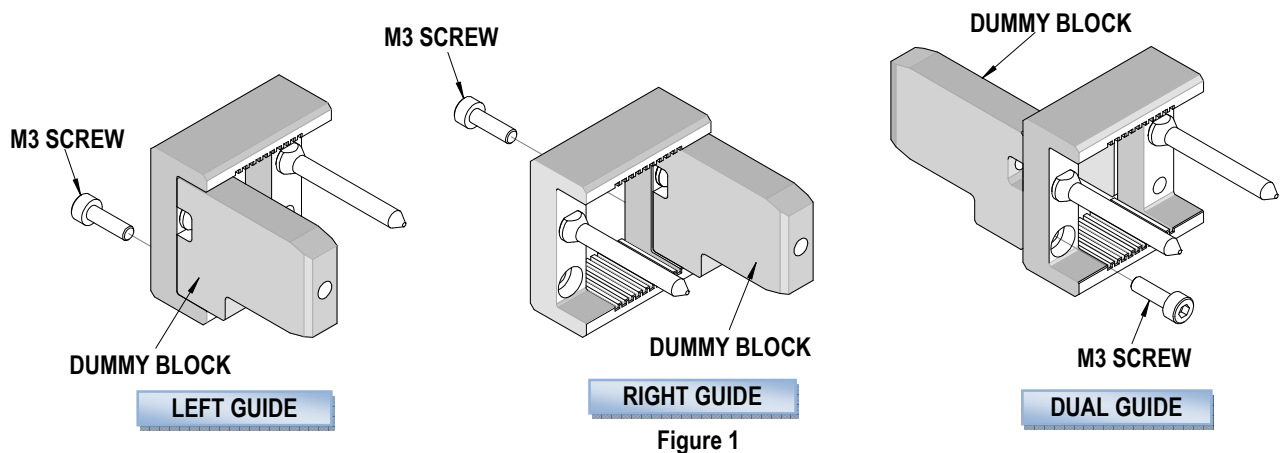
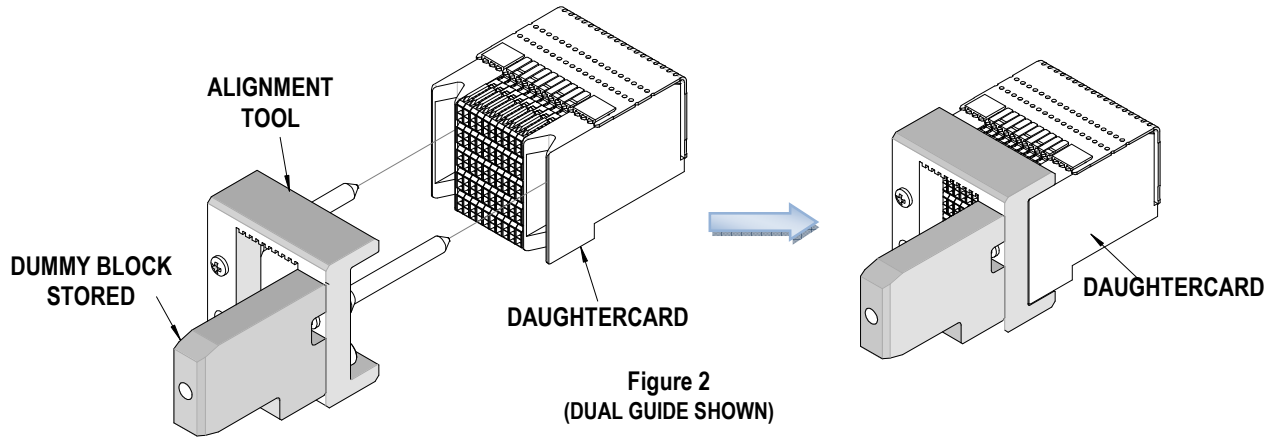


Figure 1

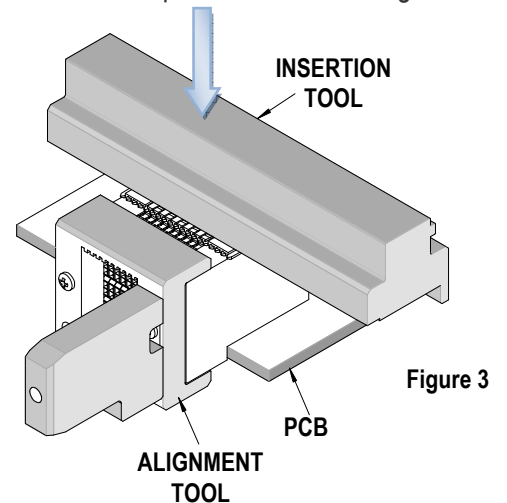
GbX-Twist™ Wafer Alignment Tool

Tool Operation

1. Carefully place the alignment tool over the front of the daughtercard. See Figure 2.



2. With the tool on the daughtercard, locate the daughtercard on the PCB so its compliant tails are starting in the PCB holes.
3. Using insertion tool 62202-2008 or other suitable tool, press the daughtercard into the PCB (see document ATS-622022008). It is important that the alignment tool stays on the daughtercard during the press-in process. See Figure 3.
4. Remove the alignment tool from the daughtercard.



CAUTION: To prevent injury, never operate any press without the guards in place. Refer to the press manufacturer's instruction manual.

CAUTION: Molex application tooling specifications are valid only when used with Molex connectors and tooling.

Contact Information

For more information on Molex application tooling please contact Molex at 1-800-786-6539.

Visit our Web site at <http://www.molex.com>