

Excellent Integrated System Limited

Stocking Distributor

Click to view price, real time Inventory, Delivery & Lifecycle Information:

[Molex Connector Corporation](#)
[0622024800](#)

For any questions, you can email us directly:

sales@integrated-circuit.com

Removal Tool for : I-PASS™ ZHD Vertical Housing Assembly

I-PASS™ zHD Vertical Housing Assembly Removal Tool	 Application Tooling Specification Sheet	 Order No. 62202-4800
---	--	-------------------------------------

FEATURES

- Used in the removal of the I-PASS™ zHD Vertical housing assembly from a PCB
- Removes housing assemblies from the PCB without damage to the board
- Use tool 62202-4900 for the removal of wafers

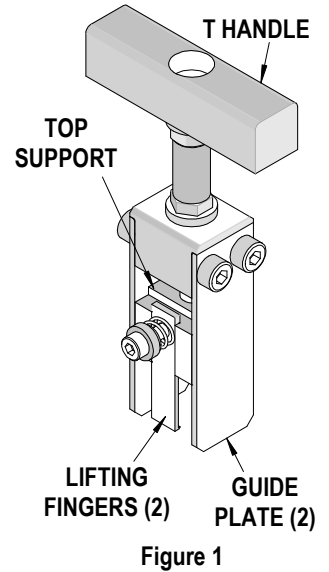
SCOPE

Products: I-PASS™ zHD Vertical Single Piece Housing Assembly. See Product List below for specific application tools.

Product List

The following is a partial list of the product order numbers and their specifications this tool is designed to run. Updates to this list are available on www.molex.com.

Series No.	Assembly Order Number
170729	170729-0005



DESCRIPTION

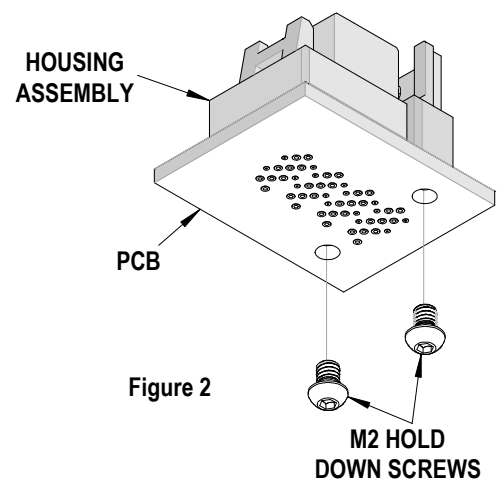
The tool is used for removal of the I-PASS™ zHD Vertical housing assembly from a PCB. The principal parts of the terminal removal tool are shown in Figure 1.

Operation

Note: Be sure that all parts of the removal tool will clear any components on the printed circuit board during use. Tape may also be placed over circuit traces or on the bottom of the PC board Support Plate for added protection of the printed circuit board.

Warning: M2 hold down screws must be removed before removing the Connector(s).

Holding the housing assembly to the printed circuit board from underneath are (2) M2 hold down screws. Before any removal operation is done these M2 hold down screws must be removed. See Figure 2.



Removal Tool for : I-PASS™ ZHD Vertical Housing Assembly

1. Turn the T Handle counter-clockwise (CCW) until the lifting fingers are exposed below the guide plates.
2. This tool has a spring loaded lifting finger on one side to assist with sliding the fingers down over the housing. Using a rocking motion, slide the lifting fingers down over the housing. Push the tool down over the housing until the lifting fingers snap into the slots at the base of the housing assembly. See Figure 3.

Note: The lifting fingers must snap into the slots of the housing so it can be lifted off the printed circuit board.

3. Turn the handle clockwise (CW) until the bottom of the end supports contact the board surface.
4. Continue turning the T handle clockwise (CW) until the housing assembly is removed from the PCB. See Figure 4.

Note: After removing the housing from the PCB, the wafer assembly will remain in the board. This is not a tooling malfunction. A second tool order number 62202-4900 is used to remove the wafer assembly. See ATS-622024900 for detailed instructions to extract the wafer assembly.

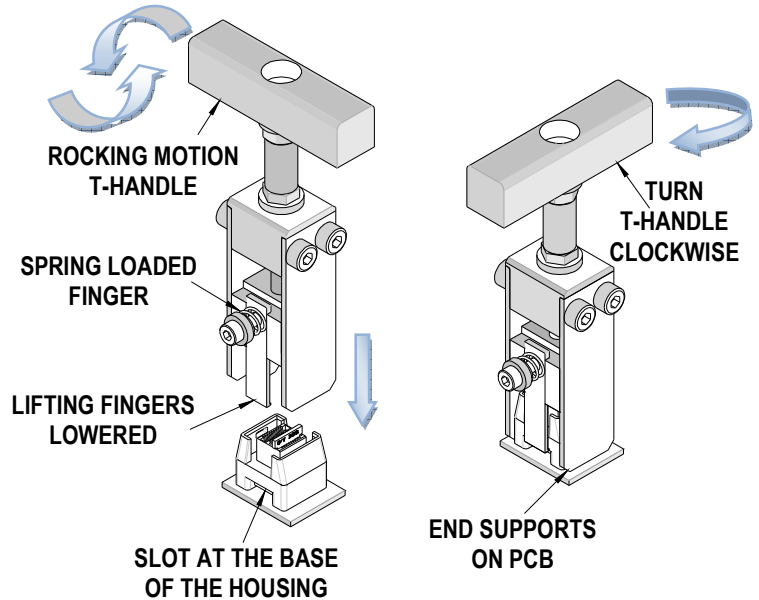


Figure 3

5. With the removal tool away from the PCB, take the housing assembly out of the tool by turning the T handle counterclockwise until the lifting fingers are exposed. Pull the housing assembly up slightly and slide it out of the side of the tool.

CAUTION: Molex specifications are valid only when used with Molex terminals, applicators and tooling.

Maintenance

It is recommended that each operator of the tool be made aware of, and responsible for, the following maintenance steps:

1. Remove dust, moisture, and other contaminants with a clean brush, or soft, lint free cloth.
2. Do not use any abrasive materials that could damage the tool.
3. Make certain all pins; pivot points and bearing surfaces are protected with a thin coat of high quality machine oil. Do not oil excessively.
4. When tool is not in use, store in a clean, dry area.

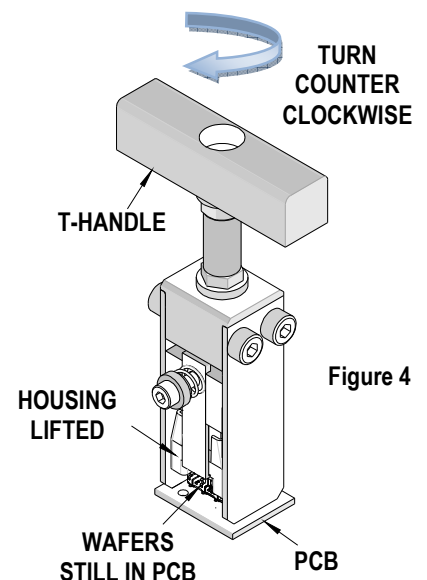


Figure 4

Visit our Web site at <http://www.molex.com>