

Excellent Integrated System Limited

Stocking Distributor

Click to view price, real time Inventory, Delivery & Lifecycle Information:

[Molex Connector Corporation](#)

[0622025220](#)

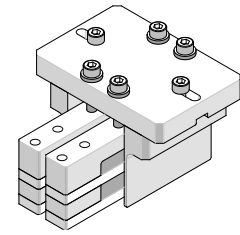
For any questions, you can email us directly:

sales@integrated-circuit.com

**2-by-2
zQSFP+
Extraction Tool**

molex

**Application Tooling
Specification Sheet**



Order No. 62202-5220

FEATURES

- Used for removal of a zQSFP+ assembly from a PCB
- Removes connector from the PCB without damage to the board
- Use tool 62202-5260 to insert 171565 and 171722 connector assemblies
- Use tool 62202-5310 to insert 172564 connector assemblies

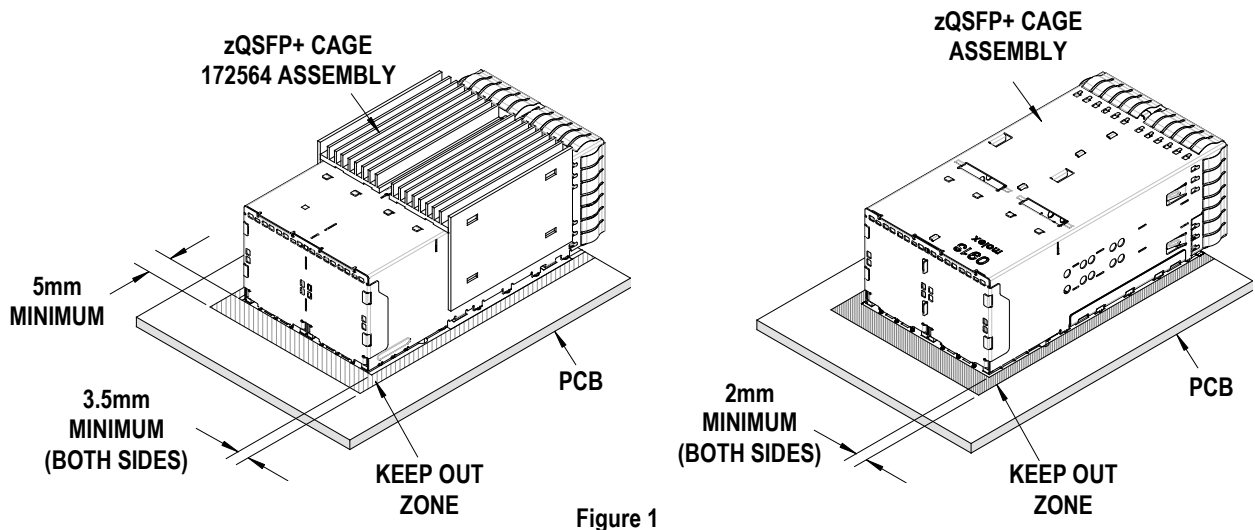
SCOPE

Products: zQuad Small Form-factor Pluggable Plus (zQSFP+) Cage Assembly, with Elastomeric Gasket or Metal EMI Gasket, 2 by 2 Enhanced EMI Cage Construction.

Connector Series No.	Connector Order No.					
171565	171565-0001	171565-0002	171565-0003	171565-2001	171565-2002	171565-2003
171722	171722-2001	171722-2002	171722-2003			
172564	171564-2001	171564-2002	171564-2003			

Notes:

1. See the following pages for tooling operation instructions.
2. These tools require a "Keep Out Zone" around the connector free of components. The right and left sides should be 0.08" (2mm). See Figure 1.



zQSFP+ Multi-Port Connector Tooling

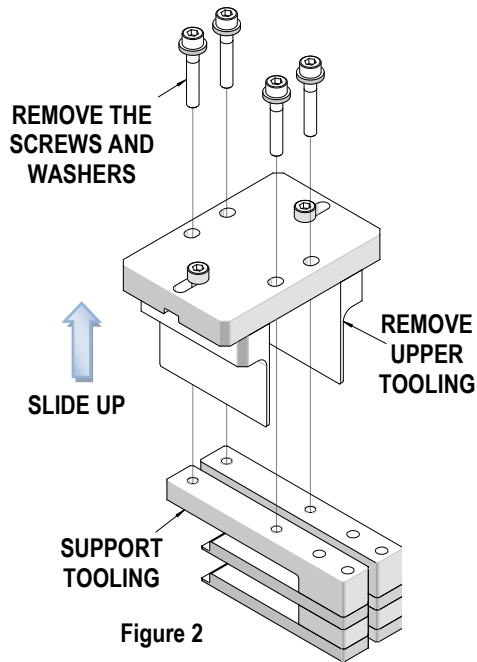


Figure 2

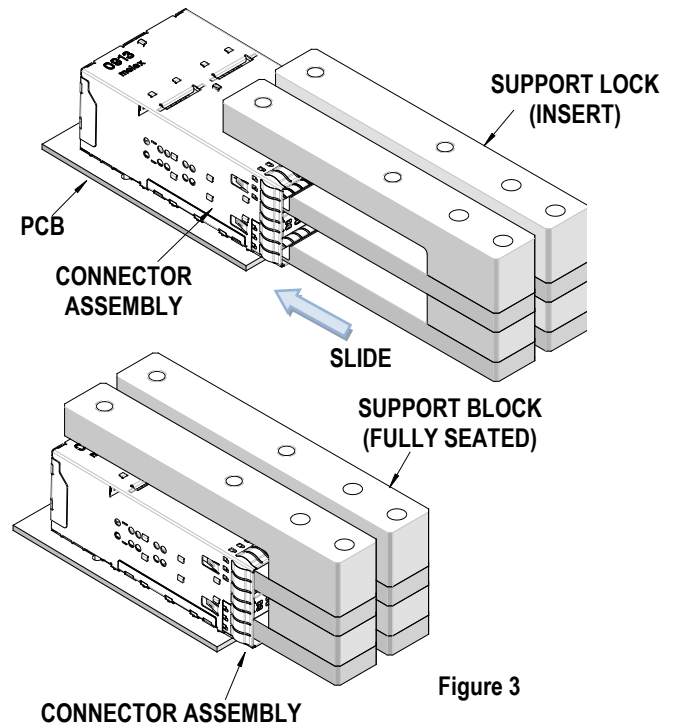


Figure 3

Description

The following Instructions are used for removing a 2-by-2 connector from a PCB.

Operation

1. Disassemble the (2) halves by unscrewing the screws on the top of the “upper tooling”. See Figure 2.
2. Remove the upper tooling from the support tooling.
3. Insert the support tooling into the cage ports until it is fully seated. See Figure 3.
4. Place the top removal assembly over the support tooling and the cage assembly, aligning the screw holes of the top removal assembly with the threaded holes in the support blocks. See Figure 4.
5. If the top removal assembly does not fit over the cage, the side supports of the top assembly can be adjusted farther from the cage sides.
6. Place the washers and M5 screws into the holes in the top removal assembly; turn the screws clockwise until they are started in the support blocks.

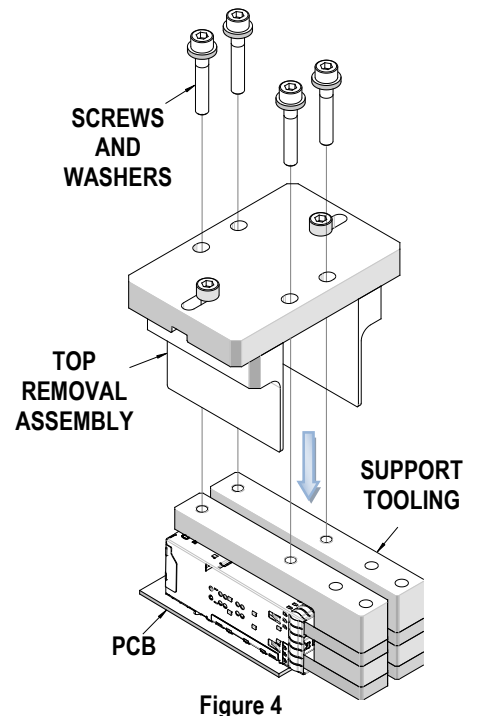
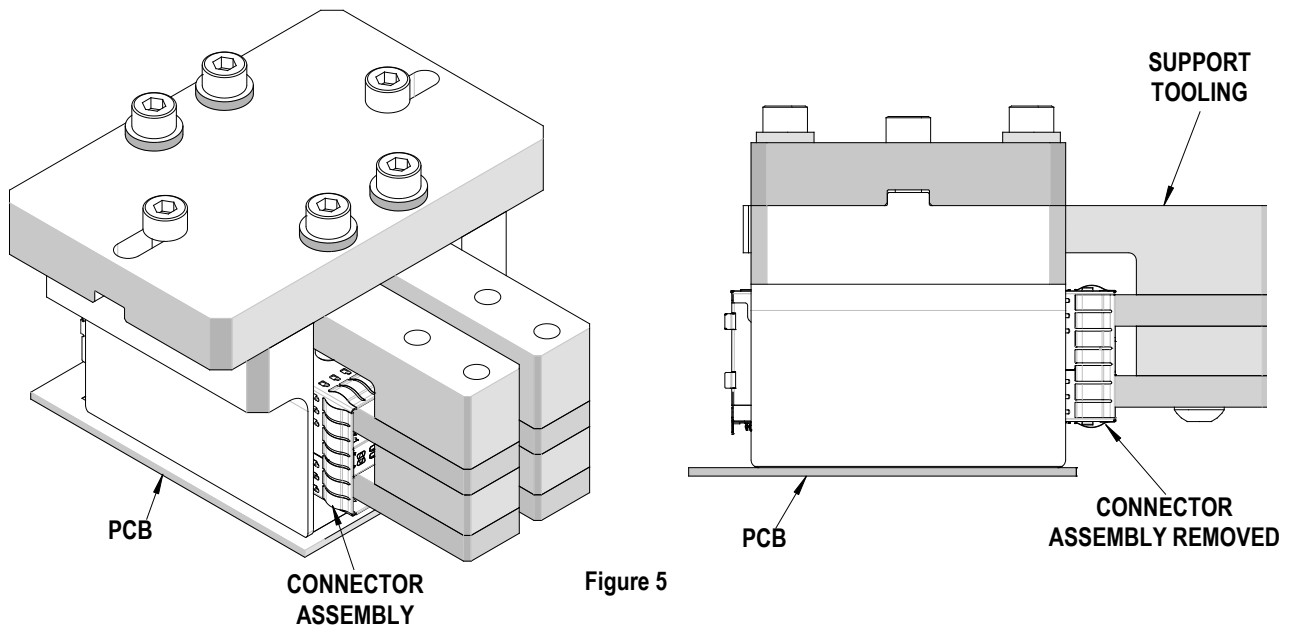


Figure 4

zQSFP+ Multi-Port Connector Tooling

- Using a 4mm hex wrench, tighten each screw, one turn in an alternating pattern until the cage assembly is removed from the PCB. See Figure 5.



CAUTION: Molex application tooling specifications are valid only when used with Molex connectors and tooling.

Contact Information

For more information on Molex application tooling please contact Molex at 1-800-786-6539.

Visit our Web site at <http://www.molex.com>