

Excellent Integrated System Limited

Stocking Distributor

Click to view price, real time Inventory, Delivery & Lifecycle Information:

[Molex Connector Corporation](#)
[0640017770](#)

For any questions, you can email us directly:

sales@integrated-circuit.com

Crimp Tool Kit for 6 AWG Insulated Ring Terminals

Modular Crimp Tooling Kit		
	Application Tooling Specification Sheet	
		Order No. 64001-7770

SCOPE

Tooling: The Square “DIN” style die sets are used with two machines and each machine requires an adapter for the square “DIN” dies. The Molex UP60, order number 63801-8900 will process the square “DIN” style die sets with the 63801-8901 adapter. The Molex 12 ton battery crimp tool, order number 63816-1000 will process the square “DIN” style die sets with the 63816-1100. Refer to the appropriate crimper instruction manual for installation and operation information.

Products: InsulKrimp™ and NylaKrimp™ Ring Tongue Terminals and Splices 6 AWG. Refer to the Product part number charts on this sheet for terminals with the barrel and tongue styles listed above.

TESTING

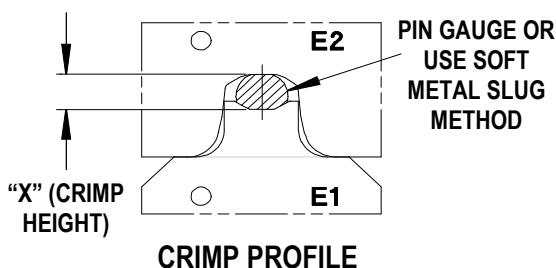
The tensile test or pull test is a means of evaluating the mechanical properties of the crimped connections. The following charts show the UL specifications for various wire sizes. The tensile strength is shown in pounds and indicates the minimum acceptable force to break or separate the terminal from the conductor.

Color Code	Wire Size (AWG)	*UL - 486 A	*UL - 486 C	**MIL-T-7928
Red	6	100	50	300

*UL - 486 A - Terminals (Copper Conductors only)

*UL - 486 C – Butt Splices, Parallel Splices, and Closed end Connectors

**MIL-T-7928 - Military Approved Terminals only as listed



Use gauge pins or soft metal slug (solder) method to measure the “X” dimension. Verify the tooling crimp height calibration by referring to the Go/No Go dimensions shown in the chart below.

Molex does not sell gauge pins. Contact your local industrial supplier.

Wire Range		“X” Dimension Conductor Crimp						Crimp Inspection Marking
		Mean		Go		No Go		
AWG	mm ²	In	mm	In	mm	In	mm	
6	10.5-16.8	.251	6.38	.245	6.22	.257	6.53	Ⓢ

Crimp Tool Kit for 6 AWG Insulated Ring Terminals

The following is a Partial List of the Product Part Numbers and their specifications that this tooling is designed to crimp. We will be adding to this list and an up to date copy is available on www.molex.com.

Wire Size: 6 AWG-10.5-16.8mm ² CMA 20,800-33,100					
Terminal No.	Terminal Eng No. (REF)	Wire Strip Length		Insulation Diameter Maximum	
		In	mm	In	mm
19063-0048	E-757-08	.468	11.91	.345	8.76
19063-0050	E-757-10	.468	11.91	.345	8.76
19063-0052	E-757-14	.468	11.91	.345	8.76
19063-0057	E-757-56R90	.468	11.91	.345	8.76
19063-0059	E-757-76	.468	11.91	.345	8.76
19063-0061	E-758-10	.468	11.91	.345	8.76
19063-0062	E-758-12	.468	11.91	.345	8.76
19063-0063	E-758-14	.468	11.91	.345	8.76
19063-0064	E-758-38	.468	11.91	.345	8.76
19063-0065	E-758-56	.468	11.91	.345	8.76
19063-0066	E-758-58	.468	11.91	.345	8.76
19063-0067	E-758-76	.468	11.91	.345	8.76
19063-0068	E-759-34	.468	11.91	.345	8.76
19063-0069	E-760-08	.468	11.91	.345	8.76
19063-0071	E-760-10	.468	11.91	.345	8.76
19063-0073	E-760-14	.468	11.91	.345	8.76
19063-0074	E-760-14R90	.468	11.91	.345	8.76
19063-0076	E-760-56	.468	11.91	.345	8.76
19063-0164	E-759-76	.468	11.91	.345	8.76
19067-0043	E-957-08	.468	11.91	.428	10.87
19067-0045	E-957-10	.468	11.91	.428	10.87
19067-0047	E-957-14	.468	11.91	.428	10.87
19067-0049	E-957-14UB	.468	11.91	.428	10.87
19067-0052	E-957-38	.468	11.91	.428	10.87
19067-0055	E-957-56	.468	11.91	.428	10.87
19067-0059	E-957-76	.468	11.91	.428	10.87
19067-0061	E-958-12	.468	11.91	.428	10.87
19067-0062	E-958-14	.468	11.91	.428	10.87
19067-0063	E-958-38	.468	11.91	.428	10.87
19067-0064	E-958-58	.468	11.91	.428	10.87
19067-0065	E-958-76	.468	11.91	.428	10.87
19067-0066	E-959-34	.468	11.91	.428	10.87
19067-0067	E-960-08	.468	11.91	.428	10.87
19067-0069	E-960-10	.468	11.91	.428	10.87
19067-0071	E-960-14	.468	11.91	.428	10.87
19067-0073	E-960-56	.468	11.91	.428	10.87
19070-0157	E-257-14X	.468	11.91	.440	11.18
19070-0276	E-257-56X	.468	11.91	.440	11.18
19071-0185	E-657-08X	.468	11.91	.440	11.18
19071-0188	E-657-10X	.468	11.91	.440	11.18
19071-0190	E-657-14X	.468	11.91	.440	11.18
19071-0193	E-657-38X	.468	11.91	.440	11.18
19071-0196	E-657-56X	.468	11.91	.440	11.18
19071-0200	E-658-10X	.468	11.91	.440	11.18
19071-0201	E-658-12X	.468	11.91	.440	11.18
19071-0203	E-658-14X	.468	11.91	.440	11.18
19071-0204	E-658-38X	.468	11.91	.440	11.18

Crimp Tool Kit for 6 AWG Insulated Ring Terminals

Wire Size: 6 AWG-10.5-16.8mm ² CMA 20,800-33,100					
Terminal No.	Terminal Eng No. (REF)	Wire Strip Length		Insulation Diameter Maximum	
		In	mm	In	mm
19071-0206	E-658-56X	.468	11.91	.440	11.18
19071-0207	E-658-58X	.468	11.91	.440	11.18
19071-0208	E-658-76X	.468	11.91	.440	11.18
19071-0210	E-659-12X	.468	11.91	.440	11.18
19071-0211	E-659-14X	.468	11.91	.440	11.18
19071-0212	E-659-34X	.468	11.91	.440	11.18
19071-0213	E-659-38X	.468	11.91	.440	11.18
19071-0214	E-659-56X	.468	11.91	.440	11.18
19071-0215	E-659-58X	.468	11.91	.440	11.18
19071-0216	E-659-76X	.468	11.91	.440	11.18
19071-0217	E-660-08R45	.468	11.91	.440	11.18
19071-0218	E-660-08X	.468	11.91	.440	11.18
19071-0220	E-660-10R45	.468	11.91	.440	11.18
19071-0221	E-660-10X	.468	11.91	.440	11.18
19071-0222	E-660-10XR90	.468	11.91	.440	11.18
19071-0224	E-660-14R45	.468	11.91	.440	11.18
19071-0225	E-660-14X	.468	11.91	.440	11.18
19071-0226	E-660-14XR90	.468	11.91	.440	11.18
19071-0228	E-660-56R45	.468	11.91	.440	11.18
19071-0229	E-660-56X	.468	11.91	.440	11.18
19071-0377	E-657-56XR90	.468	11.91	.440	11.18
19154-0045	E-662X	.437	11.11	.230	5.84
19154-0047	ED-662X	.437	11.11	.435	11.05
19202-0055	E-762	.437	11.11	.342	8.69
19206-0013	E-661X	.437	11.11	.230	5.84
19207-0007	E-761	.468	11.91	.345	8.76

MILITARY					
Wire Size: 6 AWG 10.5-16.8mm ² CMA 20,800-33,100					
Terminal No.	Terminal Eng No. (REF)	Wire Strip Length		Insulation Diameter Maximum	
		In	mm	In	mm
19063-0054	E-757-38	.468	11.91	.345	8.76
19063-0056	E-757-56	.468	11.91	.345	8.76
19063-0071	E-760-10	.468	11.91	.345	8.76
19063-0073	E-760-14	.468	11.91	.345	8.76

CAUTION: Install only Molex terminals listed above with this kit. Do not crimp hardened objects as damage can occur to the tool or die.

Crimp Tool Kit for 6 AWG Insulated Ring Terminals

Crimp Tooling Kit Parts List

Item Number	Order Number	Description	Quantity
	64001-7770	Crimp Tooling Kit – 6 AWG Insulated	REF
1	64001-7701	Anvil	1
2	64001-7702	Punch	1

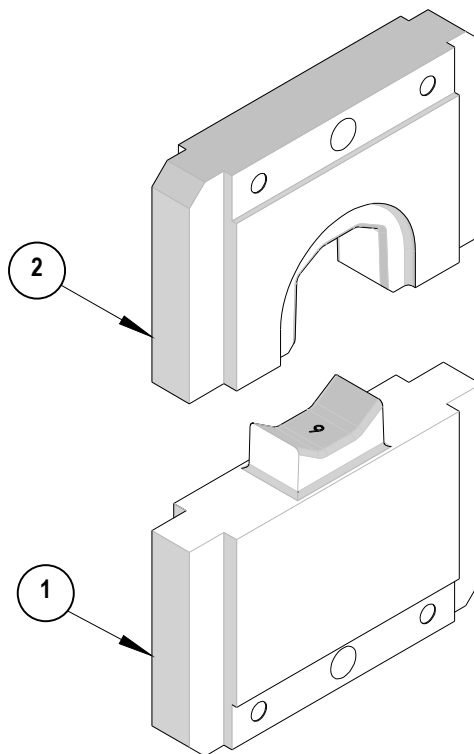


Figure 1

Visit our Web site at <http://www.molex.com>