

## Excellent Integrated System Limited

Stocking Distributor

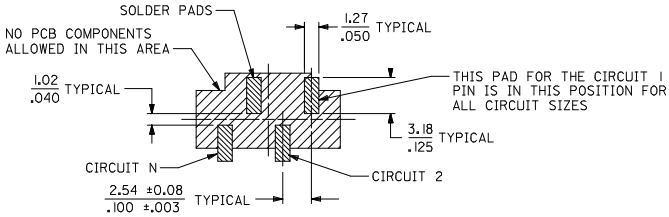
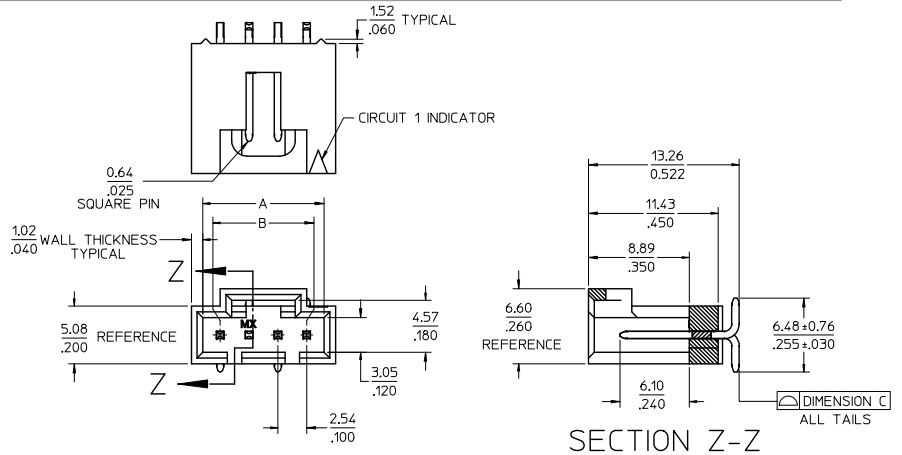
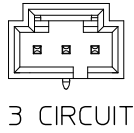
Click to view price, real time Inventory, Delivery & Lifecycle Information:

[Molex Connector Corporation](#)  
[0740990643](#)

For any questions, you can email us directly:

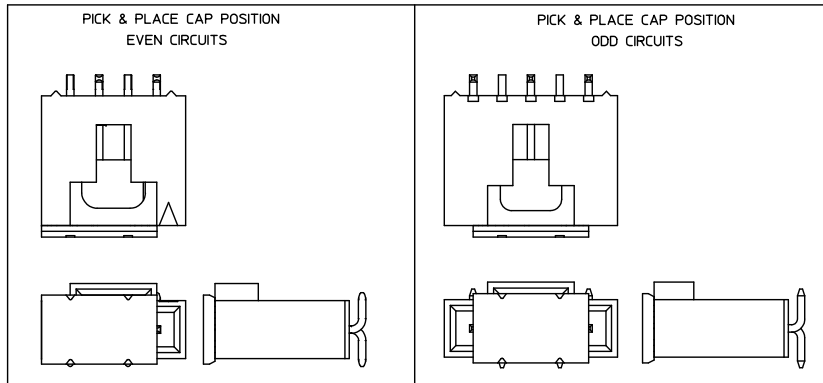
[sales@integrated-circuit.com](mailto:sales@integrated-circuit.com)

CKT SIZE	DIMENSION A		DIMENSION B		DIMENSION C	
	MM	IN	MM	IN	MM	IN
3	8.13	.320	5.08	.200	0.15	.006
4	10.67	.420	7.62	.300	0.15	.006
5	13.21	.520	10.16	.400	0.15	.006
6	15.75	.620	12.70	.500	0.15	.006
7	18.29	.720	15.24	.600	0.15	.006
8	20.83	.820	17.78	.700	0.15	.006
9	23.37	.920	20.32	.800	0.15	.006
10	25.91	1.020	22.86	.900	0.15	.006
11	28.45	1.120	25.40	1.000	0.15	.006
12	30.99	1.220	27.94	1.100	0.15	.006
22	56.39	2.220	53.34	2.099	0.18	.007



NOTES:

- MATERIAL: HOUSING: POLYESTER (PCT), GLASS FILLED, UL94V-0, COLOR: BLACK  
PINS: PHOSPHOR BRONZE  
PICK & PLACE CAP: LIQUID CRYSTAL POLYMER (LCP), GLASS FILLED, UL94V-0, COLOR: BLACK
- FINISH: TIN - 3.81 MICROMETERS/150 MICROINCHES MINIMUM TIN PLATE OVER NICKEL UNDERPLATE OVERALL.  
15 GOLD - 0.38 MICROMETERS/15 MICROINCHES MINIMUM GOLD PLATE IN SELECT AREA, 1.91 MICROMETERS/75 MICROINCHES MINIMUM TIN PLATE IN SELECT AREA, OVER NICKEL UNDERPLATE OVERALL.  
30 GOLD - 0.76 MICROMETERS/30 MICROINCHES MINIMUM GOLD PLATE IN SELECT AREA, 1.91 MICROMETERS/75 MICROINCHES MINIMUM TIN PLATE IN SELECT AREA, OVER NICKEL UNDERPLATE OVERALL.
- PRODUCT SPECIFICATION: PS-70541
- PACKAGING SPECIFICATION: PK-70873-9000
- MATES WITH: OPTION 'G' 70400 AND 70430 SERIES SL CONNECTORS  
OPTION 'G' 70066 SL HOUSINGS WITH 70058/71851 CRIMP TERMINALS.
- THIS PRODUCT CONFORMS TO COSMETIC SPECIFICATION PS-45499-002 CLASS C.



CORRECT DIM ERROR EC NO: UCP2015-5015 DRAWN BY: TIBARRA CHECKED BY: DMORGAN APPROVED BY: SMILLER	QUALITY SYMBOLS ▽=0 ▽=0 ▽=0	GENERAL TOLERANCES (UNLESS SPECIFIED)		DIMENSION STYLE		SCALE	DESIGN UNITS	THIRD ANGLE PROJECTION	
		mm	INCH	MM/IN	DATE	4:1	INCH	SALES ASSY, SL VERTICAL HEADER, SMT W/LATCH WITH PICK-N-PLACE CAP	
		4 PLACES ±---	±---	TIBARRA	2013/07/11				molex
		3 PLACES ±0.25	±.010	DMORGAN	2013/07/11				
2 PLACES ±---	±---								
1 PLACE ±---	±---								
0 PLACE ±---	±---								
ANGULAR ±1/2°		DRAFT WHERE APPLICABLE MUST REMAIN WITHIN DIMENSIONS		MATERIAL NO. SEE TABLE		DOCUMENT NO. SD-74099-1000		SHEET NO. 1 OF 2	
THIS DRAWING CONTAINS INFORMATION THAT IS PROPRIETARY TO MOLEX INCORPORATED AND SHOULD NOT BE USED WITHOUT WRITTEN PERMISSION									



Distributor of Molex Connector Corporation: Excellent Integrated System Limited

Datasheet of 0740990643 - SL VERT SMT HDR 30 SAU 3 CKT

Contact us: sales@integrated-circuit.com Website: www.integrated-circuit.com

CIRCUIT SIZE	ASSEMBLY ITEM NUMBER 74099-	PLATING SEE NOTE 2	MATING END PLATING	PC BOARD END PLATING
			TYPE	TYPE
3-12, 22	-0603 THRU-0612, -0622	TIN	TIN	TIN
3-12, 22	-0623 THRU-0632, -0642	15 GOLD	GOLD	TIN
3-12, 22	-0643 THRU-0652, -0662	30 GOLD	GOLD	TIN

CIRCUIT SIZE	ASSEMBLY ITEM NUMBER	ASSEMBLY ITEM NUMBER	ASSEMBLY ITEM NUMBER	ASSEMBLY ITEM NUMBER	ASSEMBLY ITEM NUMBER
3	74099-0603	74099-0623	74099-0643		
4	74099-0604	74099-0624	74099-0644		
5	74099-0605	74099-0625	74099-0645		
6	74099-0606	74099-0626	74099-0646		
7	74099-0607	74099-0627	74099-0647		
8	74099-0608	74099-0628	74099-0648		
9	74099-0609	74099-0629	74099-0649		
10	74099-0610	74099-0630	74099-0650		
11	74099-0611	74099-0631	74099-0651		
12	74099-0612	74099-0632	74099-0652		
22	74099-0622	74099-0642	74099-0662		

SEE SHEET 1 EC NO: UCF2015-5015 DRW: DMORGAN 2013/05/29 CHK: CHICHAO 2013/05/29 APPR: SMILLER 2013/06/08	QUALITY SYMBOLS ▽=0 ▽=0 ▽=0	GENERAL TOLERANCES (UNLESS SPECIFIED)		DIMENSION STYLE		SCALE	DESIGN UNITS	THIRD ANGLE PROJECTION		
			mm	INCH	MM/IN		4:1	INCH		
		4 PLACES ± --- ± ---	DRAWN BY		DATE		TITLE SALES ASSY, SL VERTICAL HEADER, SMT W/LATCH WITH PICK-N-PLACE CAP DOCUMENT NO. SD-74099-1000 SHEET NO. 2 OF 2			
		3 PLACES ± 0.25 ± 0.10	CHECKED BY		DATE					
2 PLACES ± --- ± ---	DMORGAN		2013/07/11							
1 PLACE ± --- ± ---	APPROVED BY		DATE							
0 PLACE ± --- ± ---	SMILLER		2013/08/12							
ANGULAR ± 1/2°		MATERIAL NO.		SEE TABLE						
DRAFT WHERE APPLICABLE MUST REMAIN WITHIN DIMENSIONS		SIZE		THIS DRAWING CONTAINS INFORMATION THAT IS PROPRIETARY TO MOLEX INCORPORATED AND SHOULD NOT BE USED WITHOUT WRITTEN PERMISSION						