

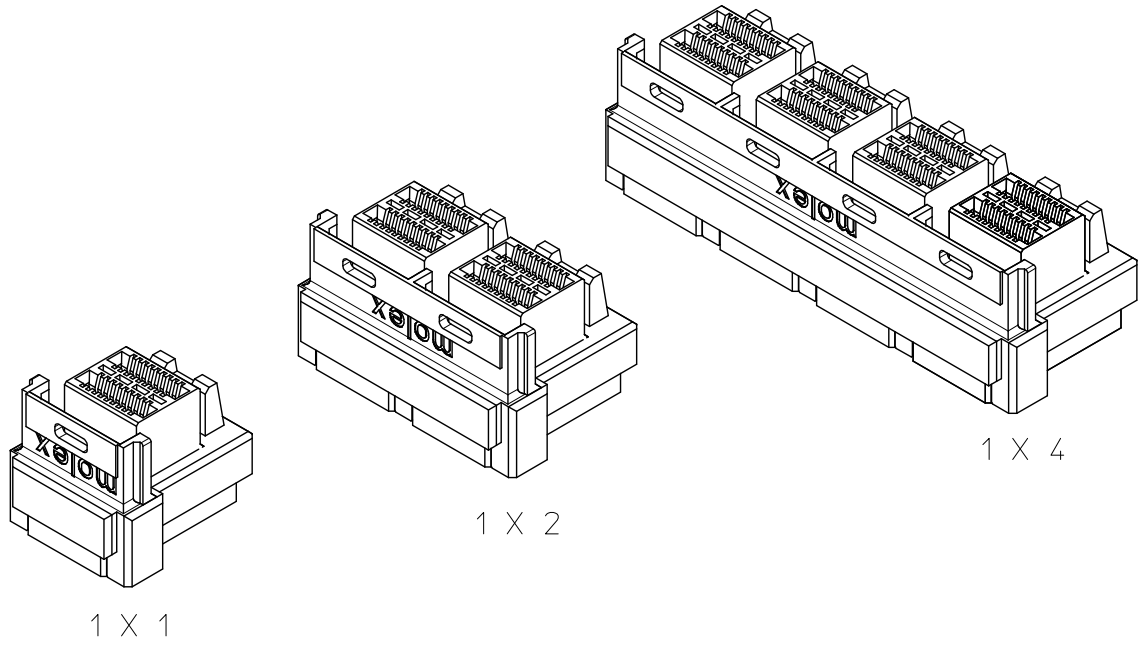
Excellent Integrated System Limited

Stocking Distributor

Click to view price, real time Inventory, Delivery & Lifecycle Information:

[Molex Connector Corporation](#)
[1707290001](#)

For any questions, you can email us directly:
sales@integrated-circuit.com



1 X 1

1 X 2

1 X 4

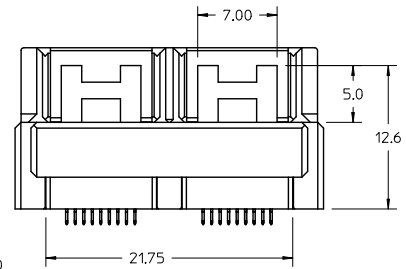
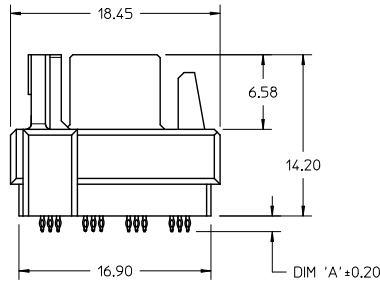
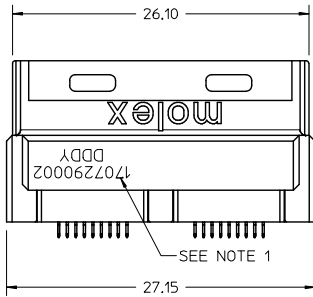
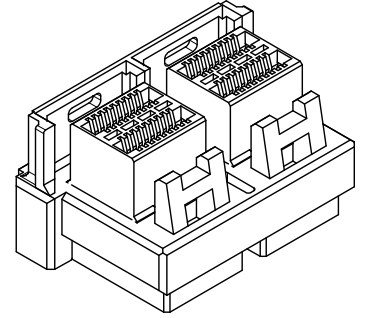
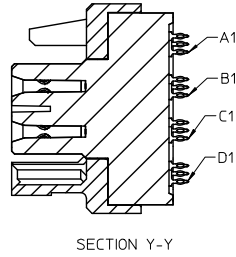
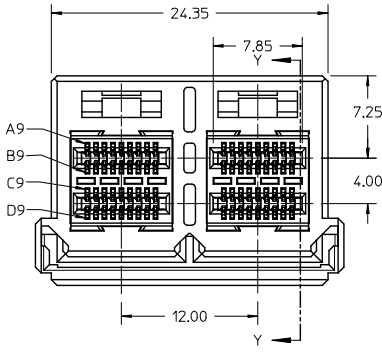
NOTES:

- MATERIALS:
CONNECTOR HOUSING: HIGH TEMPERATURE THERMOPLASTIC
GLASS FILLED, UL 94V-0
TERMINALS: COPPER ALLOY
- FINISHES:
CONTACT AREA: 0.76 μM MIN GOLD OVER 3.81 μM MIN NICKEL
COMPLIANT AREA: 0.76 μM MIN TIN (LEAD FREE)
OVER 1.27 μM MIN NICKEL
- PRODUCT SPECIFICATION: PS-170729-001
- PACKAGING SPECIFICATION: PK-76867-002
- MATES WITH: MOLEX CABLE SERIES 111074 & 111076
- MOUNTING HARDWARE NOT SUPPLIED.
REFER TO APPLICATION SPECIFICATION AS-170729-0001.
- PLUG MODULE PCB LAYOUT REFER TO SD-76866-9900

CONFIGURATION	MATERIAL NUMBER	TERMINAL OPTION	DIM 'A'
1 X 1	170729-0001	SHORT PIN	1.37
1 X 2	170729-0002		
1 X 4	170729-0004		
1 X 1	170729-1001	LONG PIN	1.62
1 X 2	170729-1002		
1 X 4	170729-1004		

ADD KEEP OUT AREA EC NO: UCP2015-2559 DRWNGSERWACKI 2015/01/05 CHKD: MCCLELLAND 2015/01/07 APPR: BANKS 2015/01/09	QUALITY SYMBOLS ∇=0 ∇=0 ∇=0	GENERAL TOLERANCES (UNLESS SPECIFIED)		DIMENSION STYLE MM ONLY		SCALE 4:1	DESIGN UNITS METRIC	THIRD ANGLE PROJECTION	
			mm	INCH	DRAWN BY KLANG	DATE 2011/11/01	TITLE IPASS VERTICAL ZHD INTERNAL ASSEMBLY 1X1, 1X2, 1X4 molex MATERIAL NO. SD-170729-0001 DOCUMENT NO. SD-170729-0001 SHEET NO. 1 OF 8		
		4 PLACES	± ---	± ---	CHECKED BY TMCLELLAND	DATE 2012/07/24			
		3 PLACES	± ---	± ---	APPROVED BY MBANAK I S	DATE 2012/07/25			
2 PLACES	± 0.13	± ---							
1 PLACE	± 0.25	± ---							
0 PLACE	±	±							
		ANGULAR ± 2 °		SEE CHART					
		DRAFT WHERE APPLICABLE MUST REMAIN WITHIN DIMENSIONS		SIZE C					

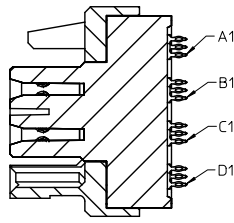
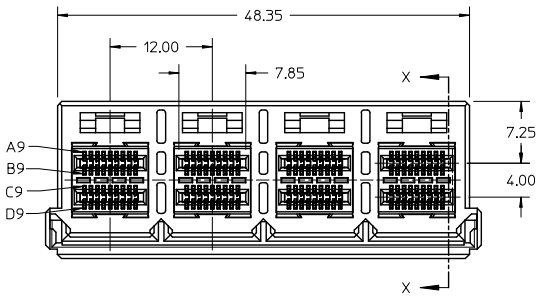
1X2 ASSEMBLY



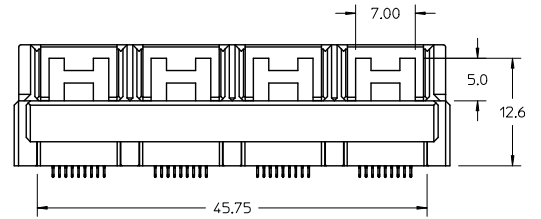
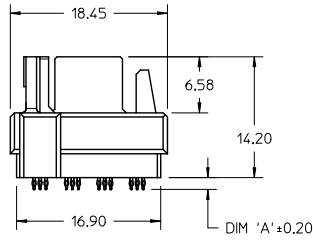
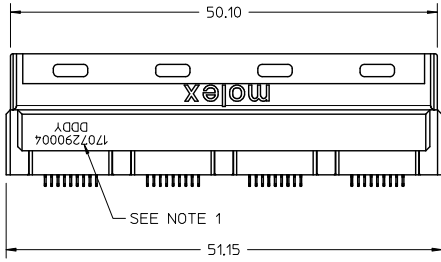
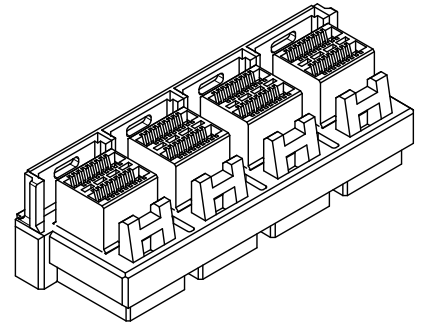
NOTES:
1. MANUFACTURED DATE CODE (JULIAN CALENDAR) & PART NUMBER.

SEE SHEET 1 EC NO: UCP2015-2359 DRAWN BY: DRWINRESWACKI 2015/01/05 CHECKED BY: TMCLELLAND 2015/01/07 APPROVED BY: MBANKAKIS 2015/01/09 14 REV	QUALITY SYMBOLS	GENERAL TOLERANCES (UNLESS SPECIFIED)	DIMENSION STYLE	SCALE	DESIGN UNITS	THIRD ANGLE PROJECTION
	$\nabla = 0$ $\nabla = 0$ $\nabla = 0$	4 PLACES ± --- ± --- 3 PLACES ± --- ± --- 2 PLACES ± 0.13 ± --- 1 PLACE ± 0.25 ± --- 0 PLACE ± ±	MM ONLY	4:1	METRIC	
		mm INCH DRAWN BY: KLANG DATE: 2011/11/01 CHECKED BY: DATE: TMCLELLAND 2012/07/24 APPROVED BY: DATE: MBANKAKIS 2012/07/25				IPASS VERTICAL ZHD INTERNAL ASSEMBLY 1X1, 1X2, 1X4
		ANGULAR ± 2 ° DRAFT WHERE APPLICABLE MUST REMAIN WITHIN DIMENSIONS	SEE CHART			molex DOCUMENT NO. SD-170729-0001 SHEET NO. 3 OF 8

1X4 ASSEMBLY

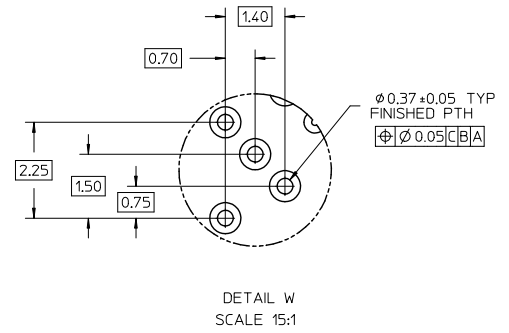
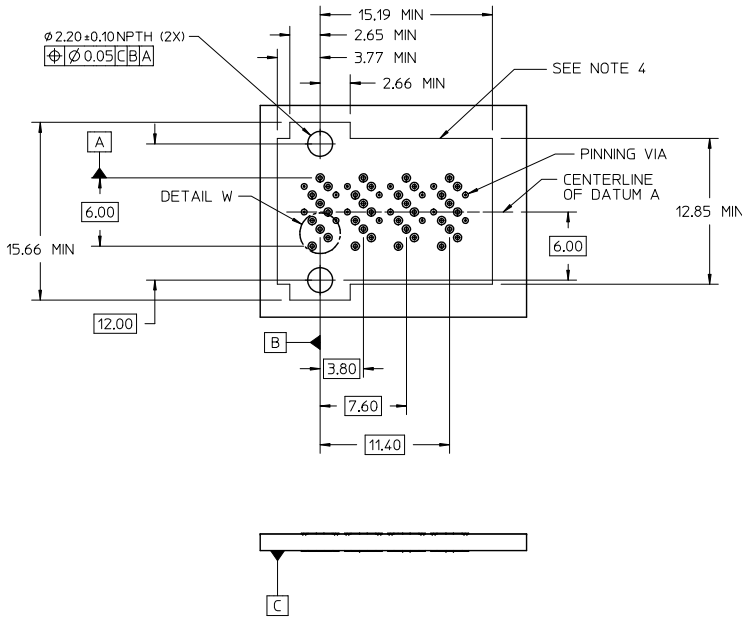


SECTION X-X
SCALE 4:1



NOTES:
1. MANUFACTURED DATE CODE (JULIAN CALENDAR) & PART NUMBER.

SEE SHEET 1 EC NO: UCP2015-2359 DRAWN BY: KLANG CHKD: MCCLELLAND APPR: MBANKS	QUALITY SYMBOLS ∇=0 ∇=0 ∇=0	GENERAL TOLERANCES (UNLESS SPECIFIED)		DIMENSION STYLE MM ONLY		SCALE 3:1	DESIGN UNITS METRIC	THIRD ANGLE PROJECTION		
		4 PLACES ± --- ± ---	3 PLACES ± --- ± ---	2 PLACES ± 0.13 ± ---	1 PLACE ± 0.25 ± ---	0 PLACE ± ±	DRAWN BY KLANG	DATE 2011/11/01	TITLE IPASS VERTICAL ZHD INTERNAL ASSEMBLY 1X1, 1X2, 1X4	
		ANGULAR ± 2 °		DRAFT WHERE APPLICABLE MUST REMAIN WITHIN DIMENSIONS		SEE CHART		MATERIAL NO.	DOCUMENT NO.	SHEET NO.
						SIZE C		THIS DRAWING CONTAINS INFORMATION THAT IS PROPRIETARY TO MOLEX INCORPORATED AND SHOULD NOT BE USED WITHOUT WRITTEN PERMISSION		4 OF 8

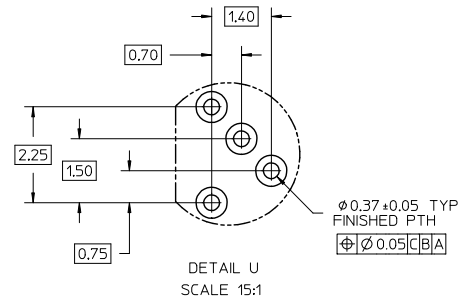
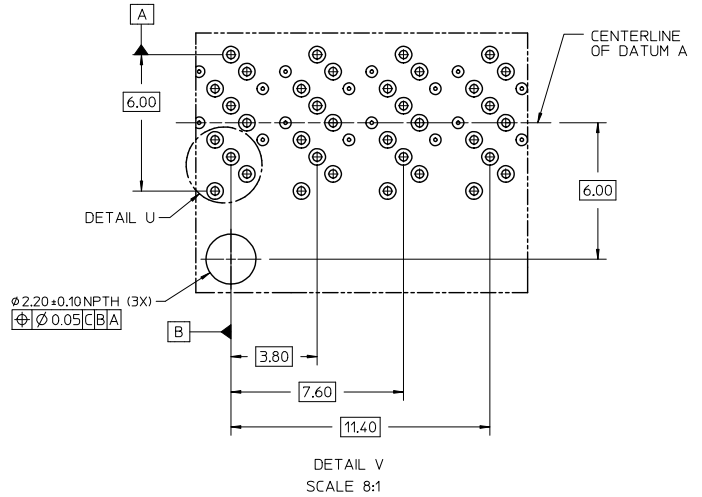
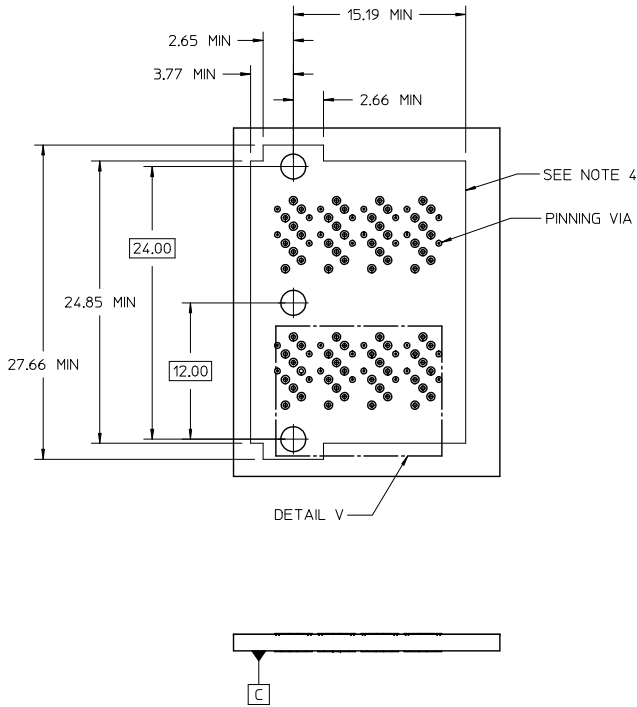


1X1 RECOMMENDED FOOTPRINT

NOTES:

1. RECOMMENDED DRILL SIZE FOR A 0.37 ϕ FINISHED PTH REFER TO APPLICATION SPECIFICATION AS-170729-0001
2. MINIMUM RECOMMENDED SPACING IS 16.00MM
3. MINIMUM RECOMMENDED PCB THICKNESS: 1.57MM
4. CONNECTOR KEEP OUT AREA

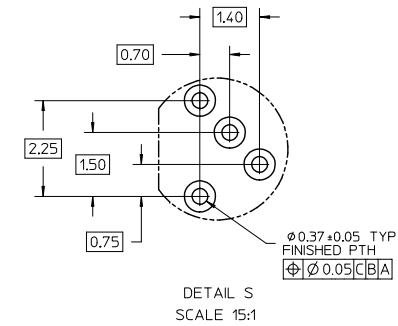
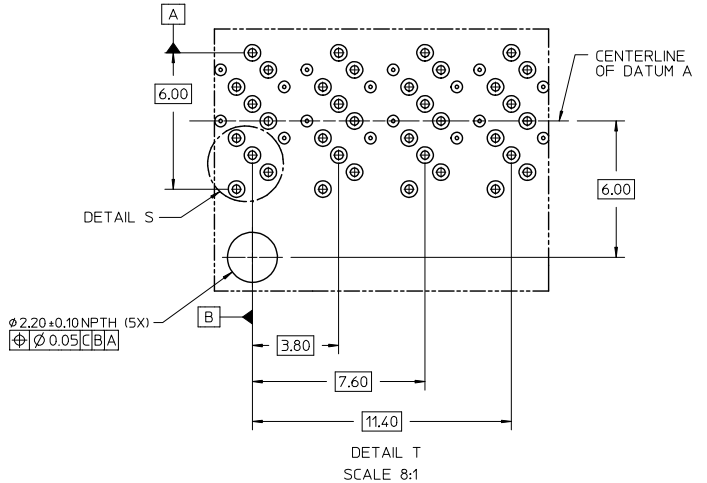
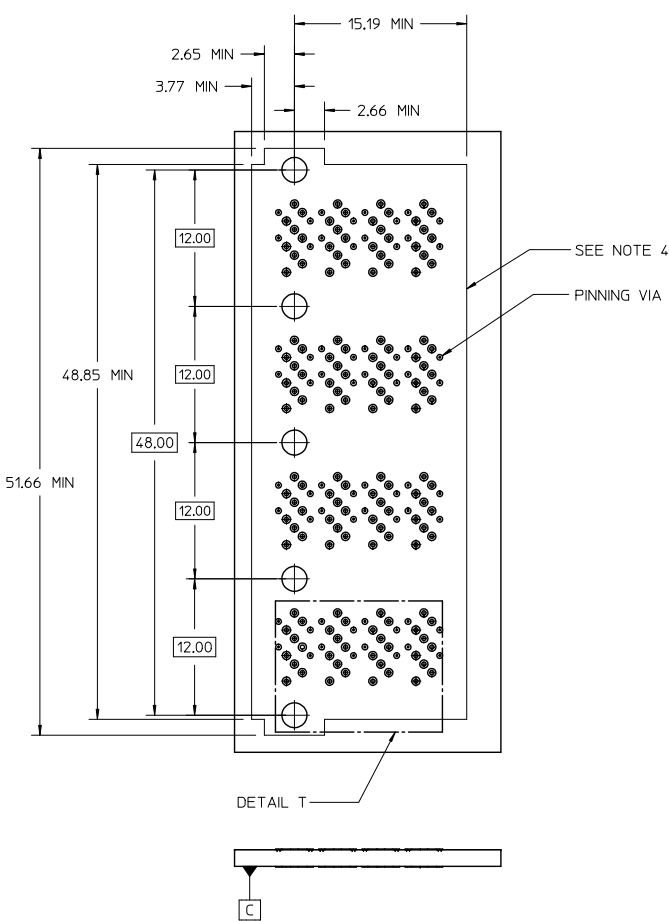
SEE SHEET 1 EC NO: UCP2015-2559 DRAWN BY: MCKI 2015/01/05 CHKD: MCCLELLAND 2015/01/07 APPR: BANKS 2015/01/09	QUALITY SYMBOLS ∇=0 ∇=0 ∇=0	GENERAL TOLERANCES (UNLESS SPECIFIED)		DIMENSION STYLE MM ONLY		SCALE 4:1	DESIGN UNITS METRIC	THIRD ANGLE PROJECTION
		4 PLACES ± --- ± --- 3 PLACES ± --- ± --- 2 PLACES ± 0.13 ± --- 1 PLACE ± 0.25 ± --- 0 PLACE ± ±	DRAWN BY: KLANG DATE: 2011/11/01 CHECKED BY: TMCCLELLAND DATE: 2012/07/24 APPROVED BY: MBANAKIS DATE: 2012/07/25	TITLE IPASS VERTICAL ZHD INTERNAL ASSEMBLY 1X1, 1X2, 1X4			MATERIAL NO. DOCUMENT NO.	
DRAFT WHERE APPLICABLE MUST REMAIN WITHIN DIMENSIONS		SEE CHART		SD-170729-0001			5 OF 8	
THIS DRAWING CONTAINS INFORMATION THAT IS PROPRIETARY TO MOLEX INCORPORATED AND SHOULD NOT BE USED WITHOUT WRITTEN PERMISSION								



1X2 RECOMMENDED FOOTPRINT

- NOTES:
1. RECOMMENDED DRILL SIZE FOR A 0.37 ϕ FINISHED PTH REFER TO APPLICATION SPECIFICATION AS-170729-0001
 2. MINIMUM RECOMMENDED SPACING IS 28.00MM
 3. MINIMUM RECOMMENDED PCB THICKNESS: 1.57MM
 4. CONNECTOR KEEP OUT AREA

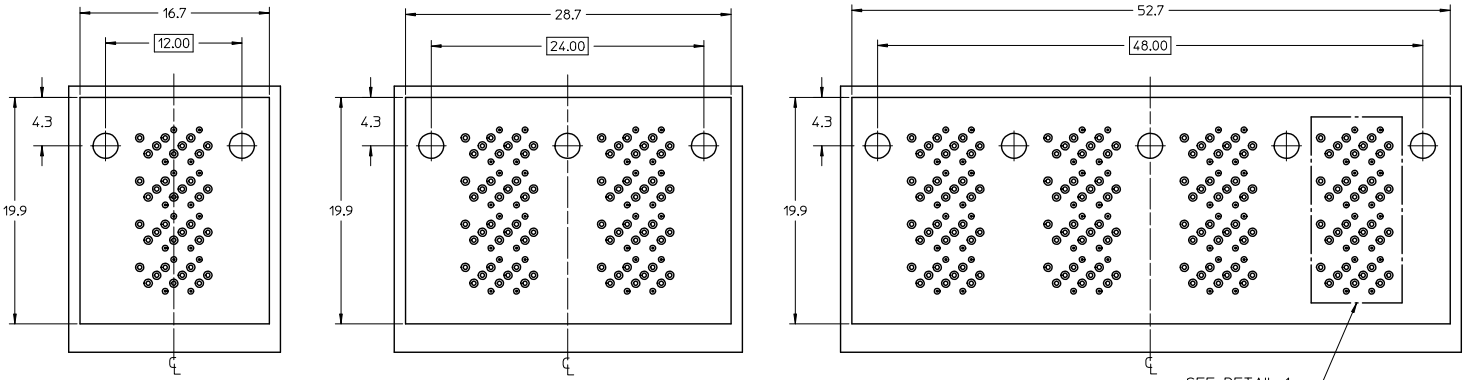
SEE SHEET 1 EC NO: UCP2015-2559 DRWNG: WSWACKI 2015/01/05 CHKD: MCCLELLAND 2015/07/07 APPR: MBANKS 2015/07/09	QUALITY SYMBOLS	GENERAL TOLERANCES (UNLESS SPECIFIED)	DIMENSION STYLE	SCALE	DESIGN UNITS	THIRD ANGLE PROJECTION	
	$\nabla = 0$ $\nabla = 0$ $\nabla = 0$	mm INCH 4 PLACES \pm --- \pm --- 3 PLACES \pm --- \pm --- 2 PLACES ± 0.13 \pm --- 1 PLACE ± 0.25 \pm --- 0 PLACE \pm \pm	MM ONLY	4:1	METRIC	DRAWN BY: KLANG DATE: 2011/11/01 CHECKED BY: MCCLELLAND DATE: 2012/07/24 APPROVED BY: MBANKS DATE: 2012/07/25	TITLE: IPASS VERTICAL ZHD INTERNAL ASSEMBLY 1X1, 1X2, 1X4 molex
	ANGULAR $\pm 2^\circ$ DRAFT WHERE APPLICABLE MUST REMAIN WITHIN DIMENSIONS	MATERIAL NO. SEE CHART	DOCUMENT NO. SD-170729-0001	SHEET NO. 6 OF 8			
	REV 14	THIS DRAWING CONTAINS INFORMATION THAT IS PROPRIETARY TO MOLEX INCORPORATED AND SHOULD NOT BE USED WITHOUT WRITTEN PERMISSION					



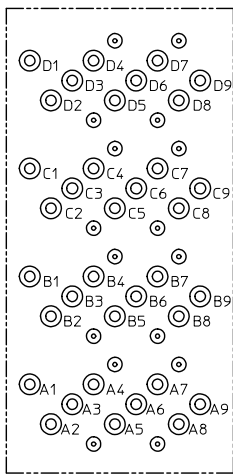
1X4 RECOMMENDED FOOTPRINT

- NOTES:
1. RECOMMENDED DRILL SIZE FOR A 0.37 \varnothing FINISHED PTH REFER TO APPLICATION SPECIFICATION AS-170729-0001
 2. MINIMUM RECOMMENDED SPACING IS 52.00MM
 3. MINIMUM RECOMMENDED PCB THICKNESS: 1.57MM
 4. CONNECTOR KEEP OUT AREA

SEE SHEET 1 EC NO: UCP2015-2559 DRAWN BY: DRWNSERWACKI 2015/01/05 CHECKED BY: TMCLELLAND 2015/01/07 APPROVED BY: MBANAKIS 2015/01/09	QUALITY SYMBOLS	GENERAL TOLERANCES (UNLESS SPECIFIED)	DIMENSION STYLE	SCALE	DESIGN UNITS	THIRD ANGLE PROJECTION
	4 PLACES \pm --- \pm --- 3 PLACES \pm --- \pm --- 2 PLACES ± 0.13 \pm --- 1 PLACE ± 0.25 \pm --- 0 PLACE \pm \pm	mm INCH mm ONLY	DRAWN BY: KLANG DATE: 2011/11/01 CHECKED BY: TMCLELLAND DATE: 2012/07/24 APPROVED BY: MBANAKIS DATE: 2012/07/25	MM ONLY	4:1	METRIC
14 REV	ANGLUAR $\pm 2^\circ$ DRAFT WHERE APPLICABLE MUST REMAIN WITHIN DIMENSIONS	MATERIAL NO. SEE CHART	DOCUMENT NO. SD-170729-0001	SHEET NO. 7 OF 8	THIS DRAWING CONTAINS INFORMATION THAT IS PROPRIETARY TO MOLEX INCORPORATED AND SHOULD NOT BE USED WITHOUT WRITTEN PERMISSION	



RECOMMENDED KEEP OUT AREA FOR WAFER TERMINAL EXTRACTION TOOLING (REFER TO AS-170729-0001)



DETAIL 1
CIRCUIT IDENTIFICATION
(TYP EACH PORT)

SEE SHEET 1 EC NO: UCPE2015-2559 DRAWN BY: MCKI 2015/01/05 CHECKED BY: TMCLELLAND 2015/01/07 APPROVED BY: MANKS 2015/01/09 REV 14	QUALITY SYMBOLS	GENERAL TOLERANCES (UNLESS SPECIFIED)	DIMENSION STYLE	SCALE	DESIGN UNITS	THIRD ANGLE PROJECTION
	$\nabla = 0$ $\nabla = 0$ $\nabla = 0$	mm INCH 4 PLACES ± --- ± --- 3 PLACES ± --- ± --- 2 PLACES ± 0.13 ± --- 1 PLACE ± 0.25 ± --- 0 PLACE ± ±	MM ONLY	4:1	METRIC	
	DRAWN BY: KLANG DATE: 2011/11/01 CHECKED BY: TMCLELLAND DATE: 2012/07/24 APPROVED BY: MBANAKIS DATE: 2012/07/25	ANGULAR ± 2 ° DRAFT WHERE APPLICABLE MUST REMAIN WITHIN DIMENSIONS	MATERIAL NO. SEE CHART	TITLE IPASS VERTICAL ZHD INTERNAL ASSEMBLY 1X1, 1X2, 1X4	DOCUMENT NO. SD-170729-0001	SHEET NO. 8 OF 8
	THIS DRAWING CONTAINS INFORMATION THAT IS PROPRIETARY TO MOLEX INCORPORATED AND SHOULD NOT BE USED WITHOUT WRITTEN PERMISSION					