

## Excellent Integrated System Limited

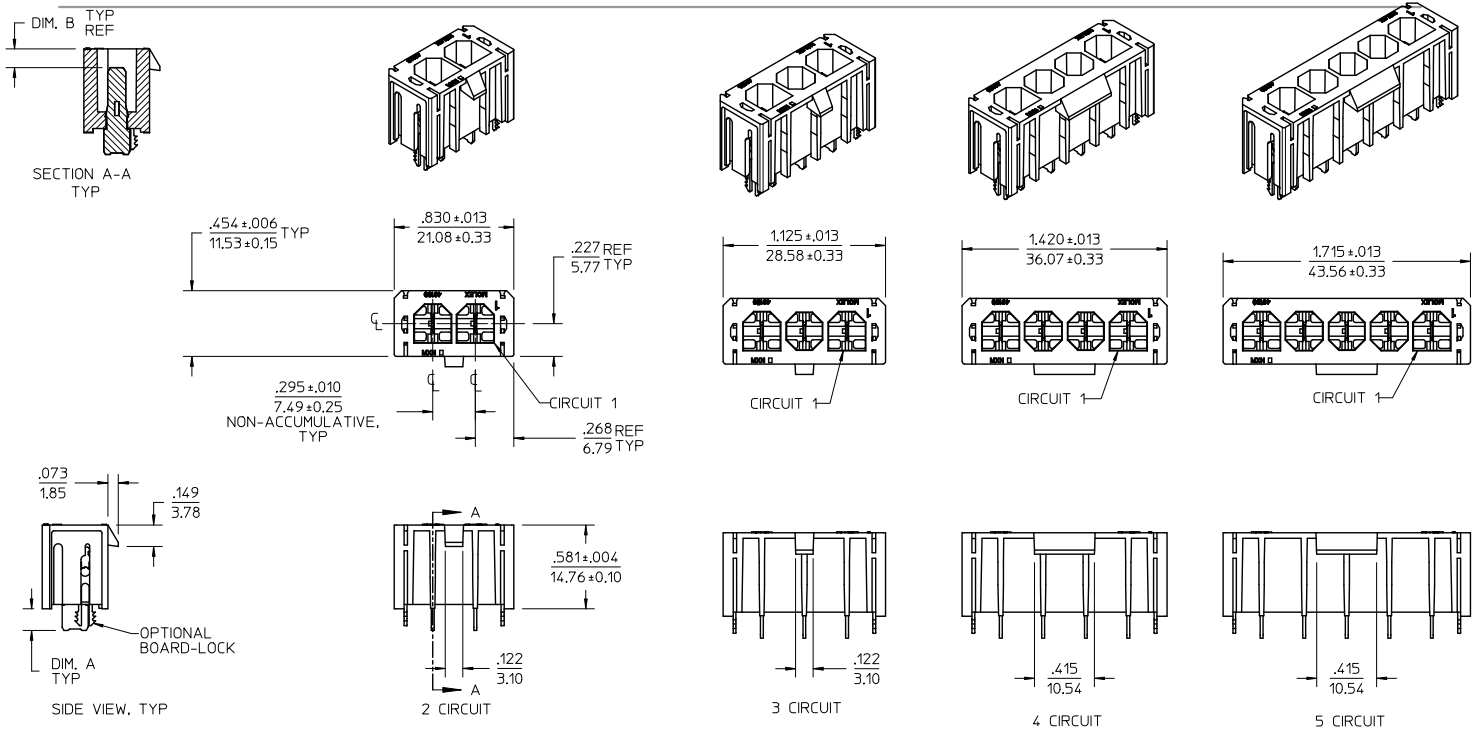
Stocking Distributor

Click to view price, real time Inventory, Delivery & Lifecycle Information:

[Molex Connector Corporation](#)  
[1720420806](#)

For any questions, you can email us directly:

[sales@integrated-circuit.com](mailto:sales@integrated-circuit.com)



- NOTES:
- MATERIALS:  
HOUSING: GLASS-FILLED, LIQUID CRYSTAL POLYMER (LCP), UL94V-0, LOW-HALOGEN, GLOW-WIRE CAPABLE, COLOR: BLACK  
TERMINALS: ETP COPPER
  - FINISHES:  
.000100/.00254 MIN SELECT SILVER AND .000100/.00254 MIN SELECT MATTE TIN OVER NICKEL OVERALL
  - PRODUCT SPECIFICATION:  
PS-171825-001
  - PACKAGING INFORMATION:  
PK-43789-001 (TRAY PACK)
  - MATES WITH:  
171825 FEMALE CRIMP TERMINALS  
172672 RECEPTACLE HOUSINGS
  - THIS PART CONFORMS TO CLASS B REQUIREMENTS OF COSMETIC SPEC PS-45499-002.
  - HEADERS INDICATED AS "FINGER-PROOF" ARE DESIGNED TO MINIMIZE ACCESSIBILITY TO LIVE PARTS, PER UL 1977 AND UL 60950 FINGER PROBE REQUIREMENTS.
  - SLOTTED VIAS, PLATED-THRU, MOLEX RECOMMENDS ANNULAR RING DESIGN PARAMETERS AS SPECIFIED IN IPC-2221, GENERIC STANDARD ON PRINTED BOARD DESIGN.
  - .118/3.00 MOUNTING-HOLES (NON-PLATED) FOR OPTIONAL BOARD-LOCKS SHOWN

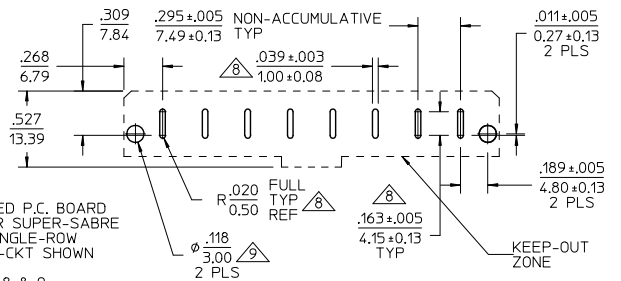
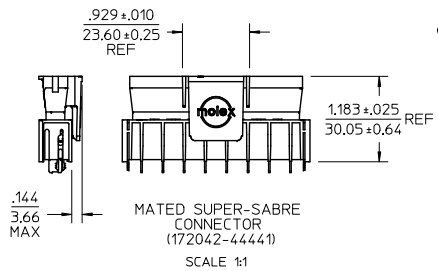
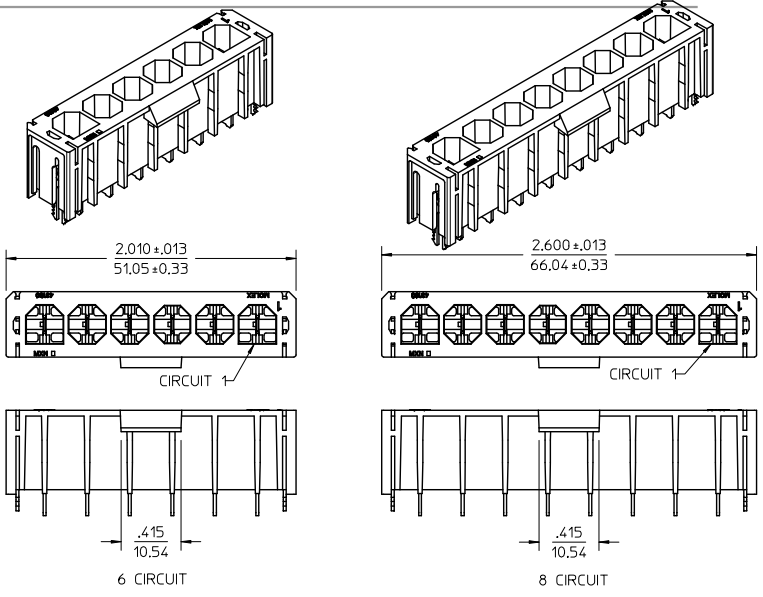
SECTION A-A EC NO: UCP2016-043 DRAWN: JOMIT CHKD: BANDERSON APPROV: SMITH	QUALITY SYMBOLS ▽=0 ▽=0 ▽=0	GENERAL TOLERANCES (UNLESS SPECIFIED)		DIMENSION STYLE		SCALE	DESIGN UNITS	THIRD ANGLE PROJECTION		
		mm	INCH	IN/MM		2:1	INCH	INCH		
		4 PLACES ±---	±---	DRAWN BY	DATE	TITLE				
		3 PLACES ±---	±.005	BANDERSON	2013/06/21	SUPER-SABRE VERTICAL HEADER ASSY SINGLE-ROW				
		2 PLACES ±0.13	±.010	CHECKED BY	DATE	molex				
		1 PLACE ±0.25	±---	APPROVED BY	DATE					
		0 PLACE ±---	±---	FSMITH	2013/12/06	MATERIAL NO.		DOCUMENT NO.	SHEET NO.	
		ANGULAR ±1/2°		SEE CHART		SD-172042-001		1 OF 2		
DRAFT WHERE APPLICABLE MUST REMAIN WITHIN DIMENSIONS		THIS DRAWING CONTAINS INFORMATION THAT IS PROPRIETARY TO MOLEX INCORPORATED AND SHOULD NOT BE USED WITHOUT WRITTEN PERMISSION								

MATERIAL NUMBER*	CIRCUIT SIZE	SOLDER TAIL	FINGER PROOF	BOARD LOCK
1720420201	2	SHORT	YES	NO
1720420202	2	SHORT	YES	YES
1720420203	2	SHORT	NO	NO
1720420204	2	SHORT	NO	YES
1720420205	2	LONG	YES	NO
1720420206	2	LONG	YES	YES
1720420207	2	LONG	NO	NO
1720420208	2	LONG	NO	YES
1720420301	3	SHORT	YES	NO
1720420302	3	SHORT	YES	YES
1720420303	3	SHORT	NO	NO
1720420304	3	SHORT	NO	YES
1720420305	3	LONG	YES	NO
1720420306	3	LONG	YES	YES
1720420307	3	LONG	NO	NO
1720420308	3	LONG	NO	YES
1720420401	4	SHORT	YES	NO
1720420402	4	SHORT	YES	YES
1720420403	4	SHORT	NO	NO
1720420404	4	SHORT	NO	YES
1720420405	4	LONG	YES	NO
1720420406	4	LONG	YES	YES
1720420407	4	LONG	NO	NO
1720420408	4	LONG	NO	YES
1720420501	5	SHORT	YES	NO
1720420502	5	SHORT	YES	YES
1720420503	5	SHORT	NO	NO
1720420504	5	SHORT	NO	YES
1720420505	5	LONG	YES	NO
1720420506	5	LONG	YES	YES
1720420507	5	LONG	NO	NO
1720420508	5	LONG	NO	YES
1720420601	6	SHORT	YES	NO
1720420602	6	SHORT	YES	YES
1720420603	6	SHORT	NO	NO
1720420604	6	SHORT	NO	YES
1720420605	6	LONG	YES	NO
1720420606	6	LONG	YES	YES
1720420607	6	LONG	NO	NO
1720420608	6	LONG	NO	YES
1720420801	8	SHORT	YES	NO
1720420802	8	SHORT	YES	YES
1720420803	8	SHORT	NO	NO
1720420804	8	SHORT	NO	YES
1720420805	8	LONG	YES	NO
1720420806	8	LONG	YES	YES
1720420807	8	LONG	NO	NO
1720420808	8	LONG	NO	YES

SOLDER-TAIL	DIM. "A" ±.020/0.51
SHORT	.150/3.81
LONG	.210/5.33

FINGER-PROOF	DIM. "B" (REF)
YES	.129/3.26
NO	.083/2.10



RECOMMENDED P.C. BOARD LAYOUT FOR SUPER-SABRE VERTICAL SINGLE-ROW HEADERS, 8-CKT SHOWN

SEE NOTES 8 & 9

SEE SHEET 1 EC NO: UCP2016-0143 DRAWN: JONIT 2015/07/14 CHK: BANDERSON 2015/07/14 APPROV: SMITH 2015/07/23	QUALITY SYMBOLS ▽=0 ▽=0 ▽=0	GENERAL TOLERANCES (UNLESS SPECIFIED)		DIMENSION STYLE IN/MM		SCALE 2:1	DESIGN UNITS INCH	THIRD ANGLE PROJECTION	
		mm	INCH	DRAWN BY BANDERSON	DATE 2013/06/21	SUPER-SABRE VERTICAL HEADER ASSY SINGLE-ROW <b>molex</b>			
		4 PLACES ±---	±---	CHECKED BY	DATE				
		3 PLACES ±---	±.005	APPROVED BY	DATE				
2 PLACES ±0.13	±.010	SMITH	2013/12/06	MATERIAL NO. DOCUMENT NO. SD-172042-001		SHEET NO. 2 OF 2			
1 PLACE ±0.25	±---	ANGULAR ±1/2°		SEE CHART					
0 PLACE ±---	±---	DRAFT WHERE APPLICABLE MUST REMAIN WITHIN DIMENSIONS		THIS DRAWING CONTAINS INFORMATION THAT IS PROPRIETARY TO MOLEX INCORPORATED AND SHOULD NOT BE USED WITHOUT WRITTEN PERMISSION					