

Excellent Integrated System Limited

Stocking Distributor

Click to view price, real time Inventory, Delivery & Lifecycle Information:

[Texas Instruments](#)
[THS8083A95PZP](#)

For any questions, you can email us directly:

sales@integrated-circuit.com

THS8083A95

**Triple 8-Bit, 95 MSPS, 3.3-V Video and Graphics
Digitizer With Digital PLL**

Data Manual

Contents

<i>Section</i>	<i>Title</i>	<i>Page</i>
1	Introduction	1-1
1.1	Features	1-1
1.2	Functional Block Diagram	1-3
1.3	Terminal Assignments	1-4
1.4	Ordering Information	1-4
1.5	Abbreviations Used in This Document	1-5
1.6	Conventions	1-5
1.7	THS8083A95 Terminal Functions	1-5
2	Functional Description	2-1
2.1	Analog Channel	2-1
2.2	Clamping Circuit	2-1
2.3	Composite Sync Slicer	2-2
2.3.1	Implementation When Using Channel 1 Sync Slicing From Ch1 as Selected by CS_SEL, or on Prerevision A Silicon	2-4
2.4	Programmable Gain Amplifier (PGA)	2-4
2.5	A/D Converter	2-4
2.6	PLL	2-4
2.6.1	Analog PLL	2-4
2.6.2	Digital PLL	2-5
2.7	Output Formatter	2-8
2.8	Power Down	2-8
2.9	Input Mode Detection	2-9
2.10	ADC Readback Over I ² C Interface	2-9
3	Register Definition	3-1
3.1	I ² C Protocol	3-1
3.1.1	Write Format	3-1
3.1.2	Read Format	3-2
3.2	Register Description	3-5
3.2.1	Register Name: TERM_CNT_0	3-5
3.2.2	Register Name: TERM_CNT_1	3-5
3.2.3	Register Name: NOM_INC_0	3-5
3.2.4	Register Name: NOM_INC_1	3-5
3.2.5	Register Name: NOM_INC_2	3-6
3.2.6	Register Name: NOM_INC_3	3-6
3.2.7	Register Name: NOM_INC_4	3-6
3.2.8	Register Name: VCODIV	3-6
3.2.9	Register Name: SELCLK	3-7

3.2.10	Register Name: PHASESEL	3-7
3.2.11	Register Name: PLLFLT	3-7
3.2.12	Register Name: HS_WIDTH	3-7
3.2.13	Register Name: VS_WIDTH	3-8
3.2.14	Register Name: SYNC_CTRL	3-8
3.2.15	Register Name: LD_THRES	3-8
3.2.16	Register Name: PLL_CTRL	3-9
3.2.17	Register Name: HS_COUNT_0	3-9
3.2.18	Register Name: HS_COUNT_1	3-10
3.2.19	Register Name: VS_COUNT_0	3-10
3.2.20	Register Name: VS_COUNT_1	3-10
3.2.21	Register Name: DTO_INC_0	3-10
3.2.22	Register Name: DTO_INC_1	3-10
3.2.23	Register Name: DTO_INC_2	3-11
3.2.24	Register Name: DTO_INC_3	3-11
3.2.25	Register Name: DTO_INC_4	3-11
3.2.26	Register Name: SYNC_DETECT	3-11
3.2.27	Register Name: CLP_CTRL	3-11
3.2.28	Register Name: CLP_START_0	3-12
3.2.29	Register Name: CLP_START_1	3-12
3.2.30	Register Name: CLP_STOP_0	3-12
3.2.31	Register Name: CLP_STOP_1	3-12
3.2.32	Register Name: CH1_CLP	3-13
3.2.33	Register Name: CH1_COARSE	3-13
3.2.34	Register Name: CH1_FINE	3-13
3.2.35	Register Name: CH2_CLP	3-13
3.2.36	Register Name: CH2_COARSE	3-13
3.2.37	Register Name: CH2_FINE	3-13
3.2.38	Register Name: CH3_CLP	3-14
3.2.39	Register Name: CH3_COARSE	3-14
3.2.40	Register Name: CH3_FINE	3-14
3.2.41	Register Name: PIX_TRAP_0	3-14
3.2.42	Register Name: PIX_TRAP_1	3-14
3.2.43	Register Name: PWDN_CTRL	3-14
3.2.44	Register Name: AUX_CTRL	3-15
3.2.45	Register Name: CH1_RDBK	3-15
3.2.46	Register Name: CH2_RDBK	3-16
3.2.47	Register Name: CH3_RDBK	3-16
3.2.48	Register Name: OFM_CTRL	3-16
4	Parameter Measurement Information	4-1
4.1	Timing Diagram—24-Bit Parallel Mode	4-1
4.2	Timing Diagram—16-Bit Parallel Mode	4-2
4.3	Timing Diagram—48-Bit Interleaved Mode	4-3
4.4	Timing Diagram—48-Bit Parallel Mode	4-4

5	Electrical Specifications	5-1
5.1	Definition of Test Conditions	5-1
5.2	Absolute Maximum Ratings Over Operating Free-Air Temperature Range	5-2
5.3	Recommended Operating Conditions Over Operating Free-Air Temperature Range, T _A = 0°C to 70°C	5-2
5.3.1	Power Supply	5-2
5.3.2	Analog and Reference Inputs	5-2
5.3.3	Digital Inputs	5-2
5.4	Electrical Characteristics Over Recommended Operating Free-Air Temperature Range, T _A = 0°C to 70°C	5-3
5.4.1	Power Supply	5-3
5.4.2	Digital Logic Inputs	5-3
5.4.3	Logic Outputs	5-3
5.4.4	I ² C Interface	5-4
5.4.5	ADC Channel	5-4
5.4.5.1	DC Accuracy	5-4
5.4.5.2	Dynamic Performance	5-5
5.4.5.3	Clamp	5-5
5.4.6	Coarse PGA	5-5
5.4.7	Fine PGA	5-5
5.4.8	Output Formatter/Timing Requirements	5-6
5.4.9	PLL	5-6
5.4.9.1	Open Loop	5-6
5.4.9.2	Closed Loop	5-7
5.4.10	Typical Plots	5-7
6	Application Information	6-1
6.1	Designing With PowerPAD	6-1
7	Mechanical Data	7-1
	Appendix A. PLL Formulas and Register Settings	A-1

List of Illustrations

<i>Figure</i>	<i>Title</i>	<i>Page</i>
2-1	Analog Channel Architecture	2-1
2-2	Bottom-Level Clamping	2-2
2-3	Mid-Level Clamping	2-2
2-4	Using THS8083A95 With a Composite Sync	2-3
2-5	Analog PLL	2-5
2-6	Digital PLL	2-7
2-7	Output Formatter	2-8
5-1	Input Test Waveform	5-1
5-2	Power Consumption	5-7
5-3	Linearity of AGY Channel at 95 MSPS (external clock)	5-8

List of Tables

<i>Table</i>	<i>Title</i>	<i>Page</i>
3-1	I ² C Register Map	3-3
3-2	Output Formatter	3-16
6-1	Junction-Ambient and Junction-Case Thermal Resistances	6-1

1 Introduction

The THS8083A95 is a complete solution for digitizing video and graphic signals in RGB or YUV/YCbCr color spaces. The device supports pixel rates up to 95 MHz. Therefore, it can be used for PC graphics digitizing up to the VESA standard of XGA (1024 X 768) resolution at 75 Hz screen refresh rate, and in video environments for the digitizing of digital TV formats, including HDTV.

The THS8083A95 is powered from a single 3.3-V supply and integrates a triple high-performance A/D converter with clamping functions and variable gain, independently programmable for each channel. The clamp timing window is provided by an external pulse or can be generated internally. The programmable gain amplifiers consist of coarse and fine gain control blocks. The THS8083A95 includes slicing circuitry on the Y or G input to support sync-on-green or sync-on-luminance extraction.

The THS8083A95 also contains a completely digital PLL block consisting of phase-frequency detector (PFD), discrete time oscillator (DTO), and programmable divider to generate the (sampling) clock from the incoming horizontal sync (HS) signal, depending on the incoming video resolution. Any pixel rate can be generated in the 13–95 MHz range. Moreover, the output phase of the synthesized clock can be controlled with subpixel accuracy (31 uniform settings).

Programmable time constants allow changing the PLL loop bandwidth by the integrated PLL loop filter. Alternatively, the user may bypass the PLL when an external pixel clock is available. Even then the DTO synthesized clock is still available externally and can therefore be used in other parts of the (graphics) system. Extensive PLL and input monitoring functions are integrated for typical functionality required in LCD/DMD monitor/projection systems (input format detection, autocalibration).

All programming of the part is done via an industry-standard normal/fast I²C interface, which supports both reading and writing of register settings. The THS8083A95 is available in a space-saving TQFP 100-pin PowerPAD™ package.

1.1 Features

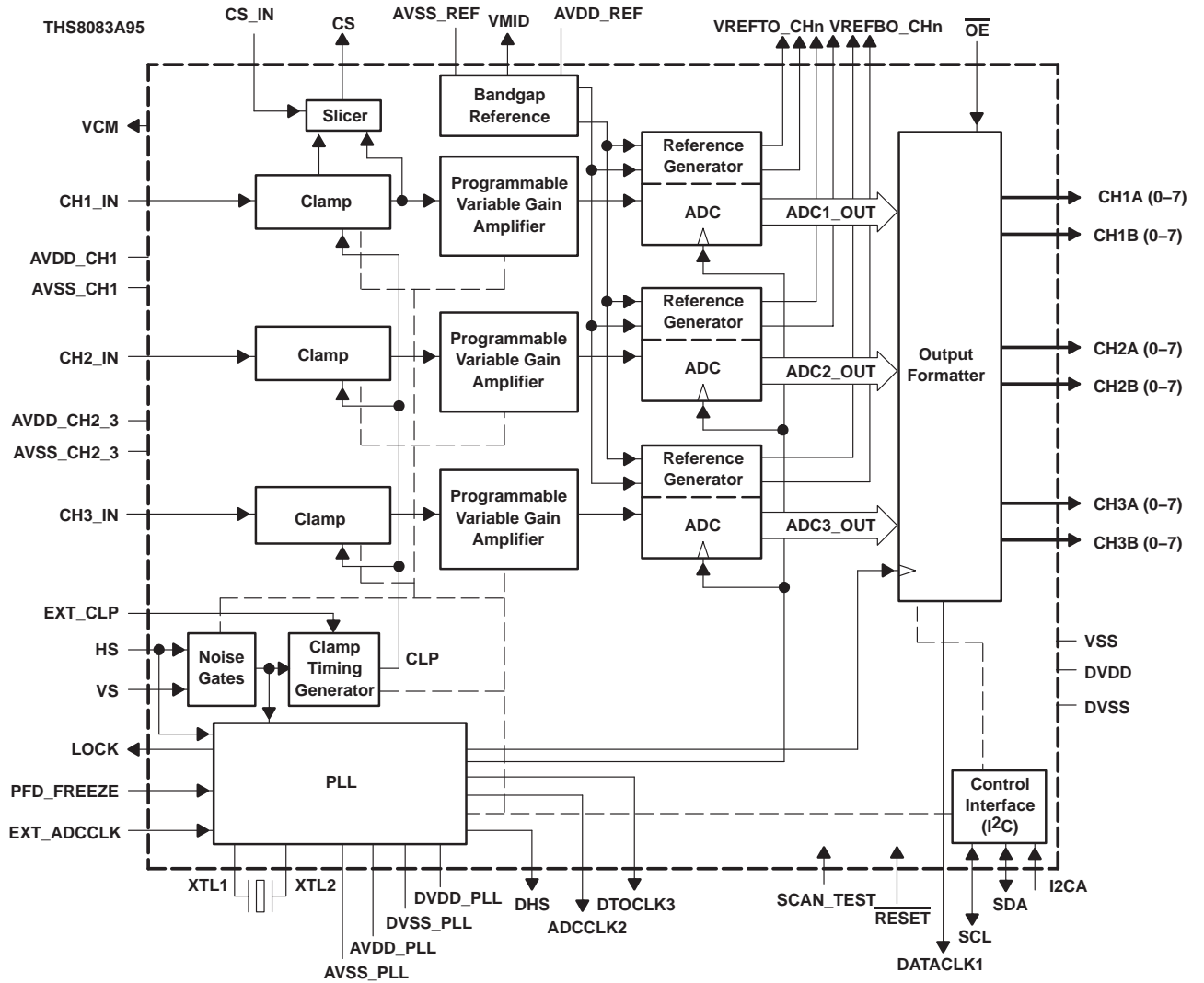
The THS8083A95 supports the following features:

- Analog Channels – Three digitizing channels, each with independently controllable clamp, PGA, and ADC
 - Clamp: 256-step programmable RGB or YUV clamping during external or internal clamp timing window
 - PGA: 6-bit coarse/5-bit fine programmable gain amplifier
 - ADC: 8 bit 95 MSPS A/D converter
 - Composite sync: Integrated sync-on-green/sync-on-luminance extraction from green/luminance channel or from dedicated input
 - Support for dc and ac-coupled input signals
- PLL
 - Fully integrated digital PLL (including loop filter) for pixel clock generation
 - 13-95 MHz pixel clock generation from reference input
 - Adjustable PLL loop bandwidth for minimum jitter or fast acquisition/wide capture range modes
 - 5-bit programmable subpixel accurate positioning of sampling phase
 - Noise gates on HS and VS inputs to avoid false PLL updating

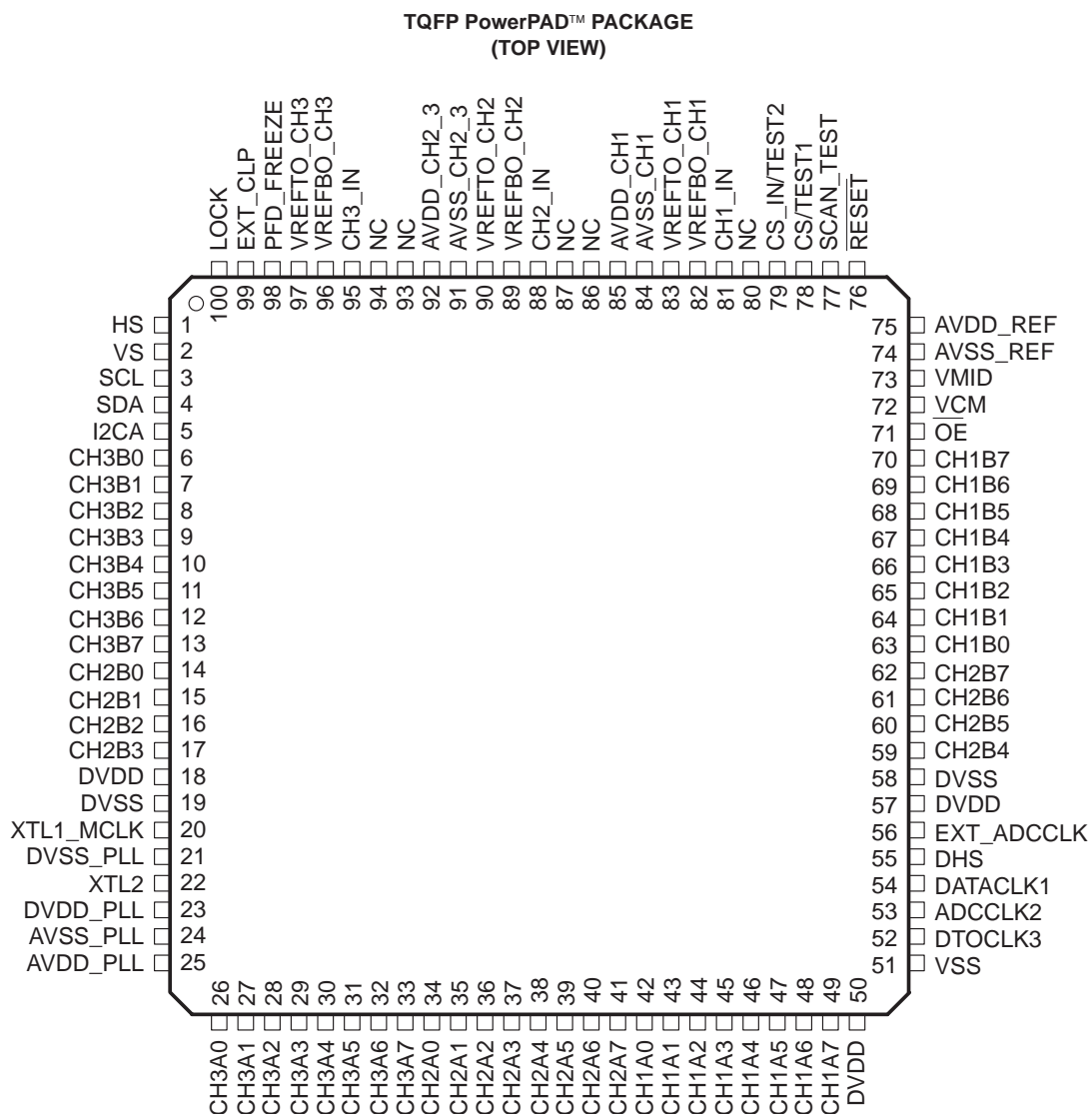
PowerPAD is a trademark of Texas Instruments.

- Output Formatter
 - Single and double pixel width output data bus for reduced board clock frequency and EMI
 - Support for 4:4:4 and 4:2:2 (ITU-R BT.601 style) output modes to reduce board traces
 - Dedicated DATACLK output for easy latching of output data
- System
 - Industry-standard normal/fast I²C interface with register readback capability
 - Support for input format detection via integrated monitoring of HS, VS, and pixel clock frequencies
 - Support for multidevice operation (master/slave operation for SXGA resolution)
 - Space-saving TQFP-100 pin package
 - Thermally-enhanced PowerPAD package for better heat dissipation
- Applications
 - LCD desktop monitors and LCD or DMD-based projection systems
 - Videoconferencing
 - PCTV set-top boxes, digital TV sets, and multimedia cards
 - Scan rate/image resolution converters
 - Video/graphics digitizing equipment (RGB or YUV-based)

1.2 Functional Block Diagram



1.3 Terminal Assignments



1.4 Ordering Information

TA	PACKAGED DEVICES
Maximum clock frequency	95 MSPS
0°C to 70°C	THS8083A95PZP

1.5 Abbreviations Used in This Document

PGA	Programmable gain amplifier
PLL	Phase-locked loop
I ² C	Inter-IC interface
EMI	Electro-magnetic interference
NTSC	National Television Systems Committee
PAL	Phase alternating line
DTV	Digital TV
VBI	Vertical blanking interval
CS	Composite sync

1.6 Conventions

Throughout this document, the term YUV refers to a video/graphics signal, consisting of three components, of which one component (Y) has its blanking level corresponding to the bottom level of the video signal range. The other two components (U&V) have their blanking level at the mid-scale of the video signal range, because U&V are color difference signals and thus, can go positive or negative with respect to blanking.

YUV, therefore, should not be restricted to NTSC/PAL component formats, but also includes baseband component video formats used in DTV that should in a strict sense be denoted as analog YCbCr or YPbPr.

The term RGB refers to a video/graphics signal, consisting of three components, of which all components have their blanking level corresponding to the bottom level of the video signal range. Therefore, it relates to both RGB PC formats as well as red-green-blue video component signals, sometimes denoted as GBR instead of RGB in video broadcast environments.

1.7 THS8083A95 Terminal Functions

TERMINAL NAME	NO.	I/O/B†	TYPE‡	DESCRIPTION
POWER SUPPLIES				
AVSS_PLL	24	I	A	Analog ground for PLL (XTL oscillator and analog PLL)
AVDD_PLL	25	I	A	Analog supply (3.3 V) for analog PLL
DVSS_PLL	21	I	A	Digital ground for digital PLL
DVDD_PLL	23	I	A	Digital supply (3.3 V) for digital PLL
AVSS_CH1	84	I	A	Analog ground for A/D channel 1
AVDD_CH1	85	I	A	Analog supply (3.3 V) for A/D channel 1
AVSS_CH2_3	91	I	A	Analog ground for A/D channel 2 and channel 3
AVDD_CH2_3	92	I	A	Analog supply (3.3 V) for A/D channel 2 and channel 3
DVDD	18, 50, 57	I	A	Digital supply for all logic, except digital PLL
DVSS	19, 58	I	A	Digital ground for all logic, except digital PLL
VSS	51	I	A	Substrate ground
AVDD_REF	75	I	A	Analog supply (3.3 V) for voltage and current reference generator
AVSS_REF	74	I	A	Analog ground (3.3 V) for voltage and current reference generator

† I = input to device; O = output from device B = bidirectional

‡ A = analog pin; D = digital pin

1.7 THS8083A95 Terminal Functions Order (Continued)

TERMINAL NAME	NO.	I/O/B†	TYPE‡	DESCRIPTION
CLOCK I/O				
XTL1_MCLK	20	I	A	Master crystal connection 1 (connects 14.318-MHz crystal) or master clock input (at 14.318 MHz)
XTL2	22	O	A	Master crystal connection 2 (connects 14.318-MHz crystal)
DATACLK1	54	O	D	1 st clock output: DATACLK1 The rising edge of this clock can be used by an external device to clock in THS8083A95 output data in all modes (see output timing diagrams in Section 4 for more details).
ADCCLK2	53	O	D	2 nd clock output: ADCCLK This clock output is equal to the clock of the ADC converter, optionally inverted and/or divided-by-2.
DTOCLK3	52	O	D	3 rd clock output: DTOCLK. This clock output is the output of the DTO.
EXT_ADCCLK	56	I	D	External clock input for A/D channels, at pixel clock frequency
ANALOG SIGNAL I/O				
CH1_IN	81	I	A	Analog input channel 1. Since this channel includes the composite sync slicer and is not downsampled in 4:2:2 mode, this channel should be used for green or luminance input, if any of these features are used.
CH2_IN	88	I	A	Analog input channel 2. In YUV 4:2:2 sampling mode, Pb should be connected to this input to generate a ITU.BT-601 style output.
CH3_IN	95	I	A	Analog input channel 3. In YUV 4:2:2 sampling mode, Pr should be connected to this input to generate a ITU.BT-601 style output.
VREFBO_CH1	82	B	A	Reference voltage bottom output channel 1. In normal operation: output. For a specific configuration, this terminal becomes an input terminal (see Powerdown section in Functional Description).
VREFTO_CH1	83	B	A	Reference voltage top output channel 1. In normal operation it is an output. For a specific configuration, this terminal becomes an input terminal (see Powerdown section in Functional Description).
VREFBO_CH2	89	B	A	Reference voltage bottom output channel 2. See VREFBO_CH1.
VREFTO_CH2	90	B	A	Reference voltage top output channel 2. See VREFTO_CH1.
VREFBO_CH3	96	B	A	Reference voltage bottom output channel 3. See VREFBO_CH1.
VREFTO_CH3	97	B	A	Reference voltage top output channel 3. See VREFTO_CH1.
VMID	73	B	A	Midlevel input range (input common mode). In normal operation it is an output. For a specific configuration, this terminal becomes an input terminal (see Powerdown section in Functional Description).
VCM	72	O	A	Common mode voltage output (approximately 1.5 V)
DIGITAL SIGNAL I/O				
CH1A0	42	O	D	Display output channel 1, bus A, bit 0 (LSB)
CH1A1	43	O	D	Display output channel 1, bus A, bit 1
CH1A2	44	O	D	Display output channel 1, bus A, bit 2
CH1A3	45	O	D	Display output channel 1, bus A, bit 3
CH1A4	46	O	D	Display output channel 1, bus A, bit 4
CH1A5	47	O	D	Display output channel 1, bus A, bit 5
CH1A6	48	O	D	Display output channel 1, bus A, bit 6
CH1A7	49	O	D	Display output channel 1, bus A, bit 7 (MSB)
CH1B0	63	O	D	Display output channel 1, bus B, bit 0 (LSB)
CH1B1	64	O	D	Display output channel 1, bus B, bit 1

† I = input to device; O = output from device; B = bidirectional

‡ A = analog pin; D = digital pin

1.7 THS8083A95 Terminal Functions Order (Continued)

TERMINAL NAME	NO.	I/O/B†	TYPE‡	DESCRIPTION
DIGITAL SIGNAL I/O (Continued)				
CH1B2	65	O	D	Display output channel 1, bus B, bit 2
CH1B3	66	O	D	Display output channel 1, bus B, bit 3
CH1B4	67	O	D	Display output channel 1, bus B, bit 4
CH1B5	68	O	D	Display output channel 1, bus B, bit 5
CH1B6	69	O	D	Display output channel 1, bus B, bit 6
CH1B7	70	O	D	Display output channel 1, bus B, bit 7 (MSB)
CH2A0	34	O	D	Display output channel 2, bus A, bit 0 (LSB)
CH2A1	35	O	D	Display output channel 2, bus A, bit 1
CH2A2	36	O	D	Display output channel 2, bus A, bit 2
CH2A3	37	O	D	Display output channel 2, bus A, bit 3
CH2A4	38	O	D	Display output channel 2, bus A, bit 4
CH2A5	39	O	D	Display output channel 2, bus A, bit 5
CH2A6	40	O	D	Display output channel 2, bus A, bit 6
CH2A7	41	O	D	Display output channel 2, bus A, bit 7 (MSB)
CH2B0	14	O	D	Display output channel 2, bus B, bit 0 (LSB)
CH2B1	15	O	D	Display output channel 2, bus B, bit 1
CH2B2	16	O	D	Display output channel 2, bus B, bit 2
CH2B3	17	O	D	Display output channel 2, bus B, bit 3
CH2B4	59	O	D	Display output channel 2, bus B, bit 4
CH2B5	60	O	D	Display output channel 2, bus B, bit 5
CH2B6	61	O	D	Display output channel 2, bus B, bit 6
CH2B7	62	O	D	Display output channel 2, bus B, bit 7 (MSB)
CH3A0	26	O	D	Display output channel 3, bus A, bit 0 (LSB)
CH3A1	27	O	D	Display output channel 3, bus A, bit 1
CH3A2	28	O	D	Display output channel 3, bus A, bit 2
CH3A3	29	O	D	Display output channel 3, bus A, bit 3
CH3A4	30	O	D	Display output channel 3, bus A, bit 4
CH3A5	31	O	D	Display output channel 3, bus A, bit 5
CH3A6	32	O	D	Display output channel 3, bus A, bit 6
CH3A7	33	O	D	Display output channel 3, bus A, bit 7 (MSB)
CH3B0	6	O	D	Display output channel 3, bus B, bit 0 (LSB)
CH3B1	7	O	D	Display output channel 3, bus B, bit 1
CH3B2	8	O	D	Display output channel 3, bus B, bit 2
CH3B3	9	O	D	Display output channel 3, bus B, bit 3
CH3B4	10	O	D	Display output channel 3, bus B, bit 4
CH3B5	11	O	D	Display output channel 3, bus B, bit 5
CH3B6	12	O	D	Display output channel 3, bus B, bit 6
CH3B7	13	O	D	Display output channel 3, bus B, bit 7 (MSB)

† I = input to device: O = output from device B = bidirectional

‡ A = analog pin: D = digital pin

1.7 THS8083A95 Terminal Functions Order (Continued)

TERMINAL NAME	NO.	I/O/B†	TYPE‡	DESCRIPTION
DIGITAL CONTROL I/O				
SCL	3	B	D	Clock for I ² C. Although the device is an I ² C slave, this signal can be held low by the device to signal contention, therefore it is flagged bidirectional.
SDA	4	B	D	Serial data for I ² C
I2CA	5	I	D	Address select for I ² C 0 = LSB of device address 0 1 = LSB of device address 1
EXT_CLP	99	I	D	External clamp timing pulse. Positive polarity required.
HS	1	I	D	Reference clock input for PLL (horizontal sync input). Polarity selectable via I ² C register <HS_POL>. 5-V tolerant input
VS	2	I	D	Vertical sync input. Polarity selectable via I ² C register <VS_POL>. 5 V tolerant input
DHS	55	O	D	Display horizontal sync. This output can be generated as either a delayed version of input HS or as output pulse from the PLL feedback divider. See <i>Display Horizontal Sync</i> section in <i>Functional Description</i> .
CS/TEST1	78	O	A/D	Composite sync output. This output produces a 3-V logic-compatible sliced output of CH1 or CS_IN, depending on CS_SEL (see CS_IN/TEST2 terminal). When present and enabled, CS carries the embedded composite sync. See Composite Sync Slicer section in Functional Description. For TI internal testing, this pin can also be configured as a test pin. Leave unconnected when CS output signal is not used.
CS_IN/TEST2	79	I	A	Composite sync slicing input. When selected by CS_SEL register, the signal on this pin is clamped to blanking level according to the clamp timing pulse and sliced approximately 150 mV below this clamped level to produce a composite sync output available on CS/TEST1. This pin can also be configured as a test pin for TI internal testing. Leave unconnected when CS input signal is not used.
LOCK	100	O	D	Lock detect output 0 = unlocked 1 = locked
PFD_FREEZE	98	I	D	Freezes the PLL output frequency by stopping the PFD output (i.e., keeping last increment to DTO). See section 2.3 <i>Composite Sync Slicer</i> . 0 = updating 1 = frozen
\overline{OE}	71	I	D	Output enable for data output busses A and B. Data outputs are active only when $\overline{OE} = L$ and the corresponding bus is active for the current output formatter mode (register OFM_CTRL). When data outputs are not active or when DVDD = 0 V, data output is Hi-Z. The clock outputs are not affected by \overline{OE} . 0 = enabled 1 = disabled
\overline{RESET}	76	I	D	General chip reset (active low). The reset is a synchronous reset. Therefore, a master clock on XTL1–MCLK needs to be present for proper reset.
TEST I/O				
CS/TEST1	78	O	A/D	See previous description for this terminal under DIGITAL CONTROL I/O.
CS_IN/TEST2	79	O	A/D	See previous description for this terminal under DIGITAL CONTROL I/O.
SCAN_TEST	77	I	D	Input for scan-path activation: 0 = disabled 1 = enabled. This pin MUST be tied low for normal operation and is of use for TI internal testing only.
UNUSED PINS				
NC	80, 86, 87, 93, 94	I	A	Not connected. Must be connected to digital ground on the board.

† I = input to device; O = output from device B = bidirectional

‡ A = analog pin; D = digital pin

2 Functional Description

2.1 Analog Channel

The THS8083A95 contains three identical analog channels that are independently programmable. Each channel consists of a clamping circuit, a programmable gain amplifier, and an A/D converter.

2.2 Clamping Circuit

The purpose of clamping is to provide the input signal with a known dc-value. Typically, video signals are ac-coupled into the part. The signal needs to be level-shifted to fall in the reference voltage range (VREFB...VREFT) of the A/D converter. By supplying a programmable clamp, the user can shift the input signal with respect to the A/D range. This has the same effect as keeping the input signal constant and applying offset to both A/D reference voltages while keeping the VREFT-VREFB difference equal. However, no external adjustments are needed with this implementation.

For video, the clamping circuit can only be active during the non-active video portion of each line to avoid changes in brightness along the line. Clamping is done during the horizontal blanking interval, either on the back porch of sync or during the sync tip (in the case of a sync present on at least one of the video channels). If HS is carried on a separate line, as is typically the case for PC graphics, clamping is done during blanking. When the Y or G input channel contains an embedded sync, then alternatively clamping can be done during the sync-tip or during the front or back porch of sync. Only clamping during front- or back-porch of sync is supported on the THS8083A95, since it is expected that the input signal level during clamping, of which position and width are determined by the clamp timing pulse (as shown later) corresponds to the blanking level. Since the blanking level for RGB type inputs corresponds to a low output code of the A/D, it makes sense to center the clamp range around an A/D output code of 0. The user can adjust this level up or down, symmetrically around 0. If the clamping is set such that the blanking level corresponds to a level below 0, the A/D output is clipped at code 0.

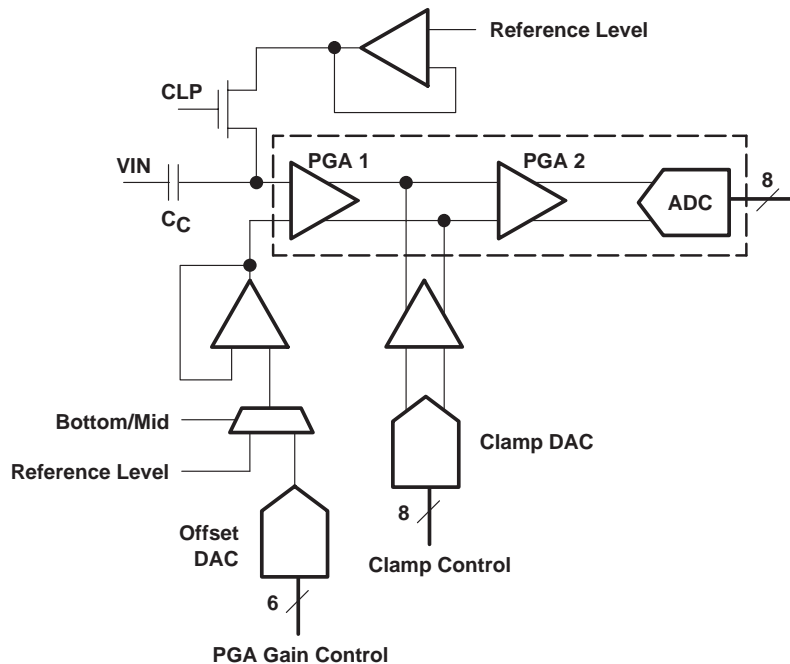


Figure 2-1. Analog Channel Architecture

In the case of YUV input signals, blanking levels for U and V correspond to the mid-level input. To handle these signals the clamping range should be centered on the mid-level output code of the A/D.

The clamp code is 8 bits wide and spans 128 ADC output codes (a 2 LSB change to clamp code corresponds nominally to 1 LSB change in ADC output). The programmed clamp code is independent of the PGA setting (see later). This ensures independent brightness/clamping control.

The clamp pulse defines the timing window during which the clamp circuit is internally enabled, and is either generated externally and supplied to the device, or it can be internally generated. In the latter case, the user can program both the position and width of the clamp pulse with respect to the horizontal sync (HS) input.

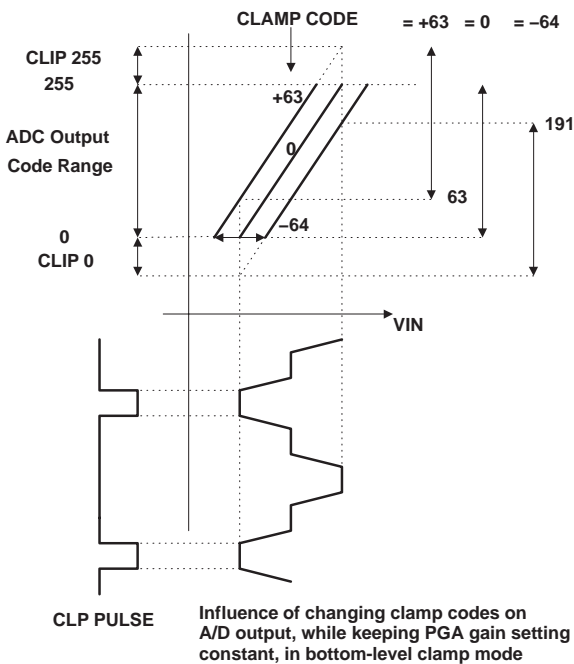


Figure 2-2. Bottom-Level Clamping

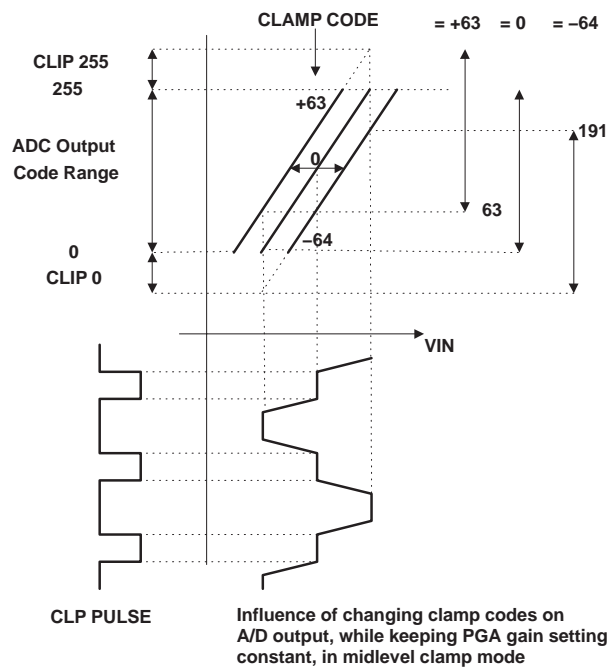


Figure 2-3. Mid-Level Clamping

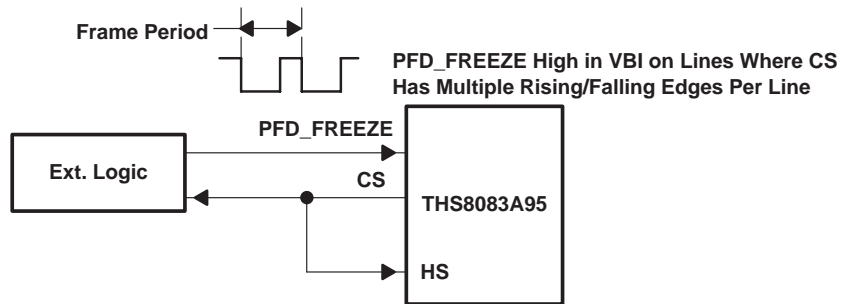
2.3 Composite Sync Slicer

The THS8083A95 includes a circuit that compares the input signal on Ch.1, or on the dedicated CS_IN input, to a level 150 mV below the blanking level. This slicer outputs a 3-V compatible digital output on the composite sync (CS) pin. The intended use of this circuit is for input video signals that have an embedded (negative or trilevel) sync. This is the case for workstation-type input signals or the DTV analog interface that mandates sync-on-Y. Since the sync amplitude is ~300 mV, the slicing level is at about 50% of the sync level. When enabled, the CS output is available even when the device is powered down.

CS outputs the extracted composite sync. Since the PLL is prevented from updating its phase detector while the PFD_FREEZE pin is kept high, the user asserts PFD_FREEZE during the VBI (when CS has multiple transitions per line). This puts the PLL in free-run. While it cannot be assured with devices that have analog PLL's, the digital PLL in the THS8083A95 is assured to keep a constant output frequency and avoid frequency drift while the PLL is in free-run. There is also no maximum on the time that PFD_FREEZE can be kept asserted to still keep a stable PLL output frequency. In this case, the CS output can be directly connected to the THS8083A95's HS input for purposes of locking the PLL. However, the frequency monitoring of HS, which works off signal edges, produces invalid numbers on those lines where CS is present because of the multiple low-high transitions on these lines.

Alternatively, if an external sync separator is present that generates HS and VS from CS, the separated signals can be fed to the corresponding inputs on the THS8083A95 and PFD_FREEZE can be left unused. As long as HS has one pulse per line, the PLL can lock correctly and the HS frequency monitoring register will return the correct value. VS is only used by the field/frame frequency monitoring register and this will return the correct value as long as VS has one pulse per field/frame. Both options are shown in Figure 2-4.

Option 1: Using PFD_FREEZE



Option 2: Using HS Derived From CS

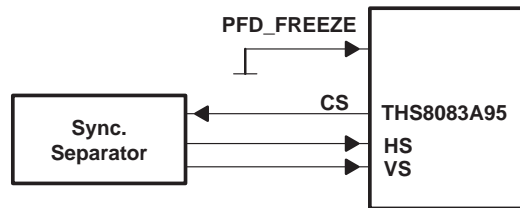


Figure 2-4. Using THS8083A95 With a Composite Sync

Note that the slicer only works when no video levels are lower than the blanking level and when the internal clamp circuit is used. This is normally satisfied for G and Y channels, but not for U and V channels. To prevent unnecessary toggling of the CS output signal, the CS output is switched off (i.e. HI-Z) automatically when mid-level clamping is chosen for channel 1 (i.e., CLP1_RG=1 in register <CLP_CTRL>).

The source for the slicer is either Ch1 or the dedicated input CS_IN, as selected by register CS_SEL. It is recommended to use the dedicated input by ac-coupling the Y/G signal input to both Ch1 and CS_IN (using independent coupling capacitors). The THS8083A95 performs independent clamping on both inputs.

NOTE:In this revision-A silicon, PDF_FREEZE keeps the DTO output frequency constant and disables the phase-frequency detector (PFD) from internally updating its error value at every active edge of HS (this was not the case in prerevision-A versions). Therefore, when PFD_FREEZE is asserted, the PLL effectively ignores incoming pulses on the HS terminal.

In this revision-A silicon, users do not need to provide an external dc biasing to the Y/G channel since now a dedicated input terminal for composite sync slicing is provided. This was not the case in prerevision-A versions, where the sync could only be extracted from Channel1 and a clamp diode had to be used to establish an initial clamping level. This method is described in the following section.

When using the dedicated CS_IN terminal, the G/Y signal should be ac-coupled to this terminal independently from Ch1, i.e., the G/Y signal is routed via a coupling capacitor to CS_IN and via a second coupling capacitor to Ch1. This is because the THS8083A95 imposes an independent (programmable) clamp level for the sync input.

2.3.1 Implementation When Using Channel 1 Sync Slicing From Ch1 as Selected by CS_SEL, or on Prerevision A Silicon

To support sync-on-Y/sync-on-G extraction, users should provide an external dc biasing to the Y/G channel. This can be done by establishing a dc clamp through a diode with its cathode connected to the ac-coupling capacitor (at the side of the THS8083A95) on the AGY channel and its anode connected to a dc level. Since the slicing level is approximately 1.35 V and the sync amplitude is –300 mV, the negative sync-tip should be clamped by the diode to a level of approximately 1.2 V. For example, using a Schottky switching diode (type 1N5711) with a maximum low forward voltage drop of 0.4 V, the dc level at the anode can be approximately 1.6 V. This level can be derived through a resistive voltage divider off the power supply.

2.4 Programmable Gain Amplifier (PGA)

Each video channel is passed through a programmable gain amplifier, to provide a full-scale signal to each A/D. The user can change this gain via register programming. A gain change becomes effective immediately.

The range of the PGA is such that an input ac range from 0.4 V_{pp} to 1.2 V_{pp} can be scaled to ADC full scale, by maximum gain and minimum gain settings respectively.

The PGA is split into a 6-bit coarse gain control and 5-bit fine gain control. Their combination leads to a PGA resolution of better than 1 LSB on the ADC output code.

The bandwidth of the PGA is by design constant, resulting in a constant analog video input bandwidth.

The coarse PGA, with its 64 settings, covers a 4/3 x to 4x gain change, used for a 0.4 V (0.4 V_{pp} × 4 = 1.6 V_{pp}) respectively 1.2 V_{pp} (1.2 V_{pp} × 4/3 = 1.6 V_{pp}) input range swing.

While an amplifier with variable gain implements the coarse PGA, the fine PGA is implemented by slightly changing the top and bottom reference levels that are also independently controllable for each ADC channel. The fine range, with its 32 settings, covers a range of 16 LSBs.

The fine and coarse PGA settings can be combined into a single PGA gain formula as follows:

$$\text{GAIN} = (4/3 + C/24)(1 + (F-15)/512)$$

Where C is the coarse gain setting (0..63) and F the fine gain setting (0..31).

2.5 A/D Converter

The A/D converter's switched-capacitor single-pipeline CMOS architecture combines excellent signal-to-noise characteristics with a very wide 3-dB analog input bandwidth of typically 500 MHz. The A/D block contains an internal reference voltage generator, providing stable bottom and top references derived from an internal bandgap reference. The reference voltages are made available externally. The THS8083A95 supports both dc and ac-coupled inputs (clamping disabled). With dc-coupling, available external references can be used to level-shift the input signal.

The A/D converter is assured up to 95 MSPS with no missing codes. The sampling clock of the A/D converter is either externally fed or internally generated by the PLL.

2.6 PLL

The PLL is a fully contained functional block consisting of:

- An analog PLL operating at a fixed output frequency of N times the master (crystal) clock frequency
- A digital PLL containing a digital phase-frequency detector (PFD), a discrete time oscillator (DTO), a digital loop filter, a feedback divider, a programmable clock output divider, and a programmable phase shifter

2.6.1 Analog PLL

The analog PLL generates a high-frequency internal clock used by the DTO in the digital PLL to derive the pixel output frequency with programmable phase. The reference signal for this PLL is the master clock frequency supplied on the XTL1-MCLK terminal.

Two options exist for connecting a master clock:

- A crystal can be connected between the XTL1-MCLK and XTL2 terminals. The device provides internal oscillator circuitry.
- A 3.3-V CMOS/TTL clock signal can be connected to XTL1-MCLK from an external oscillator. In this case XTL2 must be left unconnected.

The port is designed to operate from a master clock frequency of 14.31818 MHz, which is a standard frequency in video applications: 4x is the subcarrier frequency for NTSC. Many low-cost crystals are available for this frequency. The default internal oscillator operates at 8x the master clock frequency, or about 114 MHz. This setting of 8x, which is the value of the feedback divider in the analog PLL loop, is programmable (VCODIV register value). Normally this remains as the default 8x value. Users can change this value when a master clock of a different frequency is connected. In this case care should be taken to keep the internal high-frequency clock (i.e., master clock frequency x analog feedback divider) lower than 120 MHz. The higher this internal frequency, the better the frequency resolution of the DTO.

When a crystal is used as the master clock source, it is not advised to use another frequency than the recommended 14.31818 MHz, since the internal oscillator circuitry is not production tested at other frequencies. If another master clock is used, it is recommended to drive XTL1-MCLK by a direct clock signal. VCODIV should be programmed such that the internal clock remains close to but less than 120 MHz.

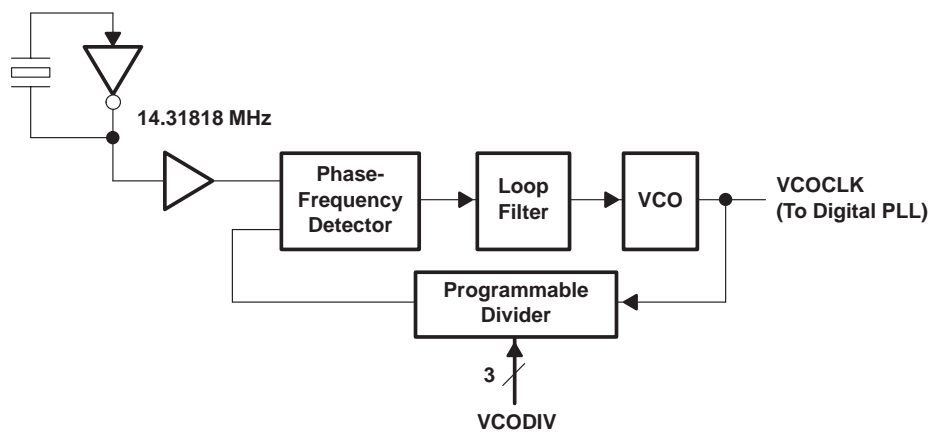


Figure 2-5. Analog PLL

2.6.2 Digital PLL

The digital PLL loop derives the ADC (pixel) clock frequency from the high-speed internal clock. A DTO generates an output frequency from a user-programmable DTO increment. To operate over the 13–95 MHz range, an extra DTO clock output divider can be switched in. Appendix A shows the formula that relates the frequency of the internal high-speed clock, the DTO increment value, and the DTO clock output divider to the PLL output frequency.

The PLL output, after the clock divider, is sent to the programmable feedback divider (TERM_CNT register value). This value is typically programmed with the number of total pixels per line for a given video/graphics format. The output of this divider is then one input to the phase-frequency detector. Its other input is typically the horizontal sync (HS) reference of a graphics/video signal. HS needs to be provided as a separate TTL/CMOS type signal to the dedicated input terminal. See the *Composite Sync Slicer* section to use the PLL in the case of input signals with a composite sync. The polarity of HS is programmable (HS_POL register value).

Both HS and VS inputs on the THS8083A95 can accept a 3-V and a 5-V logic-compliant signal.

On the HS input, as on the VS input, a digital noise gate can be optionally switched in (HS_MS and VS_MS register values, respectively). The user can program the minimum number of clock cycles that have to be present in HS and VS before they are interpreted as a valid HS and VS. This avoids having any spikes being interpreted as an active HS and falsely updating the PLL.

The PFD produces a digital error value, signaling the phase/frequency difference between the HS input and the divided PLL output clock. The integrated digital PLL loop filter subsequently filters this error value. This filter consists of proportional and integrator (accumulator) parts. Gains of both parts are programmable (GAIN_N and GAIN_P register values), each with eight settings. The higher the programmed value, the higher the gain in either the proportional or integrator portions of the filter, which translates into a wider capture range and faster acquisition but also into higher steady-state jitter.

The PFD also provides a LOCK output on a dedicated terminal. This output has programmable hysteresis (LD_THRES register value). Details are explained in the *Register Description* section. The LOCK output is made available on a dedicated pin so that the user could implement additional functionality before using this output (e.g., implement the *sticky* nature of an unlock condition by routing it through an external set/reset flip-flop).

By integrating the loop filter and making it programmable, the user can trade off both at runtime depending on the quality of the incoming HS signal (inaccurate frequency, jitter content).

The filtered phase/frequency *error* value is now used to correct the programmed *nominal* DTO increment (NOM_INC register value). This updated DTO increment (DTO_INC register value) is used by the DTO and determines the instantaneous DTO output frequency. By making DTO_INC available as a read-only register, the user can read out via I²C and calculate the instantaneous frequency of the DTO-generated clock.

Because of the digital nature of the PLL, the loop can be opened while still keeping an accurate frequency output. Therefore, the PLL can also be used as a frequency synthesizer without any HS reference. This is done by disabling the PFD (PFD_DISABLE register value). This keeps DTO_INC always equal to NOM_INC, thereby producing a DTO output frequency always equal to the desired programmed frequency, irrespective of HS.

There is a second option to operate in open loop. In some video/graphics modes, no valid HS is present during a part of the frame/field period, typically during some lines of the VBI (vertical blanking interval). In order to have an accurate PLL output clock and avoid clock drift, the PFD output needs to be held constant during this time. The PFD FREEZE pin provides this option. Asserting this pin freezes DTO_INC to its present value, thereby producing a constant PLL output clock frequency, not necessarily equal to the nominal desired frequency programmed by NOM_INC. Together with the composite sync slicer, this feature allows using the PLL with input signals containing embedded composite sync with minimal external logic. See the *Composite Sync Slicer* section.

The phase of the PLL generated clock can be programmed in 31 uniform steps over a single clock period ($360/31 = 11.6$ degrees phase resolution) so that the sampling phase of the ADC can be accurately controlled.

In addition to sourcing the ADC channel clock from the PLL, an external pixel clock can be used (from terminal EXT_ADCCLK). If configured this way (via SEL_ADCCLK register value), a clock signal of the required sampling frequency should be applied to EXT_ADCCLK; this signal, instead of the PLL generated clock, is routed to the ADC channels. In this case no phase control is available on the external clock signal. Still, the internal PLL can be used and its output made available externally as explained below. This means two clock domains can be implemented on the THS8083A95: one is externally fed, and the other, possibly asynchronous to the first, generated by the internal PLL. This provides considerable flexibility in the design of video/graphics equipment that implements scaling and frame rate conversion.

2.7 Output Formatter

This block enables either a 4:4:4 24-bit output or a 4:4:4 48-bit output at half the pixel clock, or a 4:2:2 16-bit output useful for YUV digitizing (ITU.BT-601 style). In the latter case, an 8-bit port is used for the Y output while a second 8-bit port is used alternately for Cr or Cb. As per ITU BT-601, Cb is the first video data word for each line, as shown in Figure 2-7.

The first color sample after an incoming HS is Cb. The output signal DHS is synchronized to the first pixel of a line and can therefore be used to uniquely identify Cb from Cr output data in down-sampled modes.

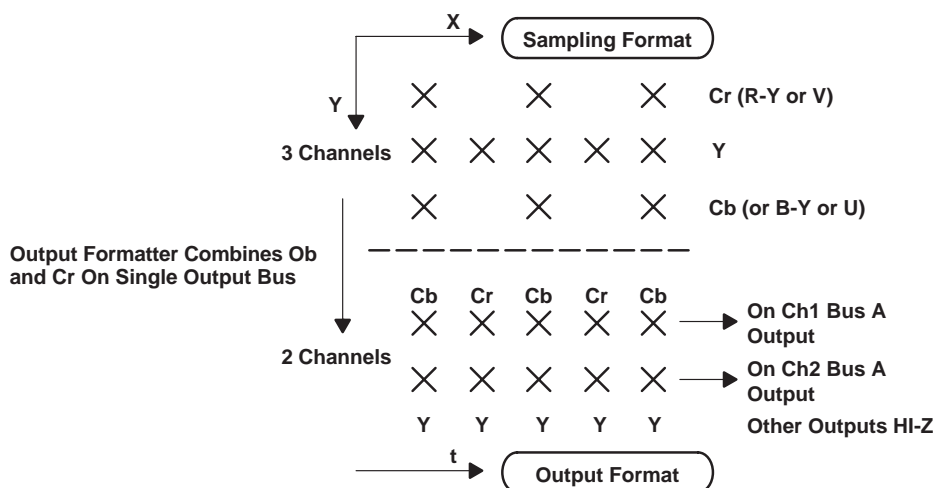


Figure 2-7. Output Formatter

2.8 Power Down

Three power down modes are defined in the I²C power-down register, :

- Chip power down: PWDN_ALL
When PWDN_ALL=1, all analog circuits are powered down except the internal bandgap reference, the circuit that generates the clamping voltages and the sync reference voltage. All these are kept active for the composite sync slicer that remains active during power down. The clock frequency of the digital circuitry is lowered to reduce power consumption when in power down.
- Internal reference power down: PWDN_REF
When PWDN_REF=1, bottom and top references (VREFB, VREFT) on all channels become inputs and should be externally driven.
- Bandgap reference power down: PWDN_BGAP
When PWDN_BGAP=1, the internal bandgap reference voltage is inactive and terminal VMID should be externally driven.

Additionally, the DTO circuitry can be disabled:

- DTO power down: DTO_DIS
When DTO_DIS=1, the DTO frequency is lowered to reduce power dissipation. This feature can be activated when an external sampling clock is used (EXT_ADCCLK).

2.9 Input Mode Detection

The THS8083A95 supports detection of the graphics input format in cooperation with an external microcontroller. Via the microcontroller interface, the period of incoming HS and VS signals (HS_COUNT, VS_COUNT register values), the frequency of the DTO clock (DTO_INC register value), and the PLL lock condition (terminal LOCK) can be measured.

2.10 ADC Readback Over I²C Interface

The ADC output data on each of the three channels can be sampled at a programmable position on each line (PIXTRAP register value) and latched into pixel readback registers (CH<n>_RDBK register values) that can be read by the microcontroller at lower speed via the I²C interface. Programming to read back during the horizontal blanking interval can be a test for accurate positioning of the blanking level.



Distributor of Texas Instruments: Excellent Integrated System Limited

Datasheet of THS8083A95PZP - IC VID/GRAPHIC DIGITIZER 100-HTQFP

Contact us: sales@integrated-circuit.com Website: www.integrated-circuit.com

3 Register Definition

3.1 I²C Protocol

The THS8083A95 is a slave I²C device that supports both write and read. As shown in Table 3–1, *I²C Register Map*, there are some status control registers that can only be read.

The device can support FAST I²C mode (SCL up to 400 kHz) when the DTO clock is running at over 25 MHz; at lower DTO frequencies, only NORMAL I²C mode (SCL up to 100 kHz) is supported.

To discriminate between write and read operations, the device is addressed at separate device addresses. There is an automatic internal subaddress increment counter to efficiently write/read multiple bytes in the register map during one write/read operation. Furthermore, bit 1 of the I²C device address is dependent upon the I2CA pin setting, as follows:

If address selecting pin I2CA = 0, then

Write address is 40 hex (01000000)

Read address is 41 hex (01000001)

If address selecting pin I2CA = 1, then

Write address is 42 hex (01000010)

Read address is 43 hex (01000011)

3.1.1 Write Format

S	Slave address(w)	A	Subaddress	A	Data0	A	Data(N-1)	A	P
---	------------------	---	------------	---	-------	---	-------	-----------	---	---

S	Start condition
Slave address(w)	0100000 (0x40) if I2CA=0 / 01000010 (0x42) if I2CA=1
A	Acknowledge. It is generated by THS8083A95.
Subaddress	Subaddress of first register to write, length: 1 byte
Data0	First byte of data
Data(N-1)	Nth byte of data
P	Stop condition

3.1.2 Read Format

First write the subaddress, where data needs to be read out, to the THS8083A95 in the following format:

S	Slave address(w)	A	Subaddress	A	P
---	------------------	---	------------	---	---

Then:

S	Slave address(r)	A	DataN	AM	Data(N+1)	AM	NAM	P
---	------------------	---	-------	----	-----------	----	-------	-----	---

S	Start condition
Slave address(r)	01000001 (0x41) if I2CA=0 / 01000011 (0x43) if I2CA=1
A	Acknowledge, generated by the THS8083A95. If transmission is successful, then A = 0, else A = 1.
AM	Acknowledge, generated by a master
NAM	Not acknowledge, generated by a master
Subaddress	Subaddress of the first register to read, length = one byte
Data0	First byte of the data read
Data(N-1)	Nth byte of the data read
P	Stop condition

In both write and read operations, the subaddress is incremented automatically when multiple bytes are written/read. So, only the first subaddress needs to be supplied to the THS8083A95.

R/W registers can be written and read.

R registers are read-only.

Table 3-1. I²C Register Map

REGISTER NAME	R/W	SUB ADDRESS	Bit 7	Bit 6	Bit 5	Bit 4	Bit 3	Bit 2	Bit 1	Bit 0
TERM_CNT_0	R/W	00	TERM_CNT7	TERM_CNT6	TERM_CNT5	TERM_CNT4	TERM_CNT3	TERM_CNT2	TERM_CNT1	TERM_CNT0
TERM_CNT_1	R/W	01					TERM_CNT11	TERM_CNT10	TERM_CNT9	TERM_CNT8
NOM_INC_0	R/W	02	NOM_INC7	NOM_INC6	NOM_INC5	NOM_INC4	NOM_INC3	NOM_INC2	NOM_INC1	NOM_INC0
NOM_INC_1	R/W	03	NOM_INC15	NOM_INC14	NOM_INC13	NOM_INC12	NOM_INC11	NOM_INC10	NOM_INC9	NOM_INC8
NOM_INC_2	R/W	04	NOM_INC23	NOM_INC22	NOM_INC21	NOM_INC20	NOM_INC19	NOM_INC18	NOM_INC17	NOM_INC16
NOM_INC_3	R/W	05	NOM_INC31	NOM_INC30	NOM_INC29	NOM_INC28	NOM_INC27	NOM_INC26	NOM_INC25	NOM_INC24
NOM_INC_4	R/W	06								NOM_INC32
VCODIV	R/W	07						VCODIV2	VCODIV1	VCODIV0
SELCLK	R/W	08							SELCLK1	SELCLK0
PHASESEL	R/W	09				PHASE_SEL4	PHASE_SEL3	PHASE_SEL2	PHASE_SEL1	PHASE_SEL0
PLLFILT	R/W	0A			GAIN_N2	GAIN_N1	GAIN_N0	GAIN_P2	GAIN_P1	GAIN_P0
HS_WIDTH	R/W	0B	HS_WIDTH7	HS_WIDTH6	HS_WIDTH5	HS_WIDTH4	HS_WIDTH3	HS_WIDTH2	HS_WIDTH1	HS_WIDTH0
VS_WIDTH	R/W	0C	VS_WIDTH7	VS_WIDTH6	VS_WIDTH5	VS_WIDTH4	VS_WIDTH3	VS_WIDTH2	VS_WIDTH1	VS_WIDTH0
SYNC_CTRL	R/W	0D					HS_POL	HS_MS	VS_POL	VS_MS
LD_THRES	R/W	0E	LD_THRES7	LD_THRES6	LD_THRES5	LD_THRES4	LD_THRES3	LD_THRES2	LD_THRES1	LD_THRES0
PLL_CTRL	R/W	0F			DISABLE_PFD	SEL_ADCCCLK	INV2	DIV2	INV3	DIV3
HS_COUNT_0	R	10	HS_COUNT7	HS_COUNT6	HS_COUNT5	HS_COUNT4	HS_COUNT3	HS_COUNT2	HS_COUNT1	HS_COUNT0
HS_COUNT_1	R	11					HS_COUNT11	HS_COUNT10	HS_COUNT9	HS_COUNT8
VS_COUNT_0	R	12	VS_COUNT7	VS_COUNT6	VS_COUNT5	VS_COUNT4	VS_COUNT3	VS_COUNT2	VS_COUNT1	VS_COUNT0
VS_COUNT_1	R	13					VS_COUNT11	VS_COUNT10	VS_COUNT9	VS_COUNT8
DTO_INC_0	R	14	DTO_INC7	DTO_INC6	DTO_INC5	DTO_INC4	DTO_INC3	DTO_INC2	DTO_INC1	DTO_INC0
DTO_INC_1	R	15	DTO_INC15	DTO_INC14	DTO_INC13	DTO_INC12	DTO_INC11	DTO_INC10	DTO_INC9	DTO_INC8
DTO_INC_2	R	16	DTO_INC23	DTO_INC22	DTO_INC21	DTO_INC20	DTO_INC19	DTO_INC18	DTO_INC17	DTO_INC16
DTO_INC_3	R	17	DTO_INC31	DTO_INC30	DTO_INC29	DTO_INC28	DTO_INC27	DTO_INC26	DTO_INC25	DTO_INC24
DTO_INC_4	R	18								DTO_INC32
SYNC_DETECT	R	19								NO_SYNC
Reserved		1A-1F								

NOTE: Blank register bits in this table are ignored upon write. When read they return 0.

Table 3-1. I²C Register Map (continued)

REGISTER NAME	R/W	SUB ADDRESS	Bit 7	Bit 6	Bit 5	Bit 4	Bit 3	Bit 2	Bit 1	Bit 0
CLP_CTRL	R/W	20		CLP_SEL	CLP1_EN	CLP1_RG	CLP2_EN	CLP2_RG	CLP3_EN	CLP3_RG
CLP_START_0	R/W	21	CLP_START7	CLP_START6	CLP_START5	CLP_START4	CLP_START3	CLP_START2	CLP_START1	CLP_START0
CLP_START_1	R/W	22					CLP_START11	CLP_START10	CLP_START9	CLP_START8
CLP_STOP_0	R/W	23	CLP_STOP7	CLP_STOP6	CLP_STOP5	CLP_STOP4	CLP_STOP3	CLP_STOP2	CLP_STOP1	CLP_STOP0
CLP_STOP_1	R/W	24					CLP_STOP11	CLP_STOP10	CLP_STOP9	CLP_STOP8
CH1_CLP	R/W	25	CH1_CLP7	CH1_CLP6	CH1_CLP5	CH1_CLP4	CH1_CLP3	CH1_CLP2	CH1_CLP1	CH1_CLP0
CH1_COARSE	R/W	26			CH1_COARSE5	CH1_COARSE4	CH1_COARSE3	CH1_COARSE2	CH1_COARSE1	CH1_COARSE0
CH1_FINE	R/W	27				CH1_FINE4	CH1_FINE3	CH1_FINE2	CH1_FINE1	CH1_FINE0
CH2_CLP	R/W	28	CH2_CLP7	CH2_CLP6	CH2_CLP5	CH2_CLP4	CH2_CLP3	CH2_CLP2	CH2_CLP1	CH2_CLP0
CH2_COARSE	R/W	29			CH2_COARSE5	CH2_COARSE4	CH2_COARSE3	CH2_COARSE2	CH2_COARSE1	CH2_COARSE0
CH2_FINE	R/W	2A				CH2_FINE4	CH2_FINE3	CH2_FINE2	CH2_FINE1	CH2_FINE0
CH3_CLP	R/W	2B	CH3_CLP7	CH3_CLP6	CH3_CLP5	CH3_CLP4	CH3_CLP3	CH3_CLP2	CH3_CLP1	CH3_CLP0
CH3_COARSE	R/W	2C			CH3_COARSE5	CH3_COARSE4	CH3_COARSE3	CH3_COARSE2	CH3_COARSE1	CH3_COARSE0
CH3_FINE	R/W	2D				CH3_FINE4	CH3_FINE3	CH3_FINE2	CH3_FINE1	CH3_FINE0
PIX_TRAP_0	R/W	2E	PIX_TRAP7	PIX_TRAP6	PIX_TRAP5	PIX_TRAP4	PIX_TRAP3	PIX_TRAP2	PIX_TRAP1	PIX_TRAP0
PIX_TRAP_1	R/W	2F					PIX_TRAP11	PIX_TRAP10	PIX_TRAP9	PIX_TRAP8
PWDN_CTRL	R/W	30				PWDN_ALL		PWDN_REF	PWDN_BGAP	DTO_DIS
AUX_CTRL	R/W	31			CS_SEL	CS_DIS	TEST2	TEST1	TEST0	TACT
CH1_RDBK	R	32	CH1_RDBK7	CH1_RDBK6	CH1_RDBK5	CH1_RDBK4	CH1_RDBK3	CH1_RDBK2	CH1_RDBK1	CH1_RDBK0
CH2_RDBK	R	33	CH2_RDBK7	CH2_RDBK6	CH2_RDBK5	CH2_RDBK4	CH2_RDBK3	CH2_RDBK2	CH2_RDBK1	CH2_RDBK0
CH3_RDBK	R	34	CH3_RDBK7	CH3_RDBK6	CH3_RDBK5	CH3_RDBK4	CH3_RDBK3	CH3_RDBK2	CH3_RDBK1	CH3_RDBK0
Reserved		35-3F								
OFM_CTRL	R/W	40					DHS_MODE	DHS_POL	OFM_MODE1	OFM_MODE0

NOTE: Blank register bits in this table are ignored upon write. When read they return 0.

3.2 Register Description

Register values after reset/at power up/after power down mode: The default value with each register shows the start-up condition after general chip reset. The register state after power up is undefined i.e., the device requires a reset after power up ($\overline{\text{RESET}}$ low) to put all registers in their default states. The value of these registers is preserved in all power-down modes (i.e. after power down the register values are identical as when entering power down); they do not return to their default values under this condition. In order for the device to reset correctly, a master clock signal needs to be applied during reset from either a clock signal on XTL1–MCLK or a crystal connected between XTL1–MCLK and XTL2. The reset signal needs to be at least 5 clock cycles wide.

Default values: The default values for this device are set for XGA@78.75 MHz.

3.2.1 Register Name: TERM_CNT_0

Subaddress: 00 (R/W)

MSB								LSB
TERM_CNT7	TERM_CNT6	TERM_CNT5	TERM_CNT4	TERM_CNT3	TERM_CNT2	TERM_CNT1	TERM_CNT0	

TERM_CNT[7..0]:

TERM_CNT[11..0] sets the number of pixels per line. Controls the digital PLL feedback divider.
 Default: 0x20

3.2.2 Register Name: TERM_CNT_1

Subaddress: 01 (R/W)

MSB								LSB
X	X	X	X	TERM_CNT11	TERM_CNT10	TERM_CNT9	TERM_CNT8	

TERM_CNT[11..8]:

See register TERM_CNT_0.
 Default: 0x5

Default TERM_CNT: 0x520 = 1312 pixels/line (XGA@75 Hz)

3.2.3 Register Name: NOM_INC_0

Subaddress: 02 (R/W)

MSB								LSB
NOM_INC7	NOM_INC6	NOM_INC5	NOM_INC4	NOM_INC3	NOM_INC2	NOM_INC1	NOM_INC0	

NOM_INC[7..0]:

NOM_INC[32..27]: integer part of DTO increment value
 NOM_INC[26..0] : fractional part of DTO increment value
 (See Appendix A for how to calculate the increment)
 Default: 0x16

3.2.4 Register Name: NOM_INC_1

Subaddress: 03 (R/W)

MSB								LSB
NOM_INC15	NOM_INC14	NOM_INC13	NOM_INC12	NOM_INC11	NOM_INC10	NOM_INC9	NOM_INC8	

NOM_INC[15..8]:

See register NOM_INC_0.
 Default: 0x8A

3.2.5 Register Name: NOM_INC_2

Subaddress: 04 (R/W)

MSB							LSB
NOM_INC23	NOM_INC22	NOM_INC21	NOM_INC20	NOM_INC19	NOM_INC18	NOM_INC17	NOM_INC16

NOM_INC[23..16]:

See register NOM_INC_0.
 Default: 0x2E

3.2.6 Register Name: NOM_INC_3

Subaddress: 05 (R/W)

MSB							LSB
NOM_INC31	NOM_INC30	NOM_INC29	NOM_INC28	NOM_INC27	NOM_INC26	NOM_INC25	NOM_INC24

NOM_INC[31..24]:

See register NOM_INC_0.
 Default: 0xBA

3.2.7 Register Name: NOM_INC_4

Subaddress: 06 (R/W)

MSB							LSB
X	X	X	X	X	X	X	NOM_INC32

NOM_INC32:

See register NOM_INC_0
 Default: 0x00

NOTE: The default value for NOM_INC is 0xBA2E8A16. As shown in Appendix A, this can be calculated to correspond to a DTO output frequency of 78.75 MHz (XGA@75Hz).

IMPORTANT: To properly update the increment, it is required to successively program NOM_INC_0 to NOM_INC_4 and then repeat the programming of the two last bytes NOM_INC3 and NOM_INC4 in this order. This properly sets the DTO to the new frequency.

3.2.8 Register Name: VCODIV

Subaddress: 07 (R/W)

MSB						LSB	
X	X	X	X	X	VCODIV2	VCODIV1	VCODIV0

VCODIV[2..0]:

Divider in analog PLL loop. Determines the internal master clock frequency as VCODIV x master clock frequency (from XTL1–MCLK/XTL2).

Default: 0x03, corresponds to an analog multiplier of 8, producing an internal nominal frequency of 8x14.31818 MHz

VCO_DIV[2..0]	ANALOG PLL MULTIPLIER
000	5
001	6
010	7
011 (default)	8
100	9
101	10
110	11
111	12

3.2.9 Register Name: SELCLK

Subaddress: 08 (R/W)

MSB						LSB	
X	X	X	X	X	X	SELCLK1	SELCLK0

SELCLK[1..0]:

Selects a clock divider on the DTO output, as shown below:
 Default: 0x01, corresponds to DTO divider = 2

Depending on the desired output clock frequency, SELCLK must be programmed as follows for VCODIV=8:

SEL_CLK[1..0]	DIVIDER CLKDIV	Output Clock Range (MHz)
00	Illegal	-
01 (default)	2	107 – 57.5
10	4	57.5 – 28.5
11	8	28.5 – 14.25

When an output frequency lower than 14.25 MHz is desired, VCODIV needs to be lowered to 7. For a given VCODIV and desired output frequency, the NOM_INC setting changes as follows according to the formula in Appendix A.

3.2.10 Register Name: PHASESEL

Subaddress: 09 (R/W)

MSB					LSB		
X	X	X	PHASESEL4	PHASESEL3	PHASESEL2	PHASESEL1	PHASESEL0

PHASESEL[4..0]:

Sets the phase for the DTO clock output
 Default: 0x10, corresponding to a phase shift = 180 degrees

3.2.11 Register Name: PLLFILT

Subaddress: 0A (R/W)

MSB						LSB	
X	X	GAIN_N2	GAIN_N1	GAIN_N0	GAIN_P2	GAIN_P1	GAIN_P0

GAIN_N[2..0]: PLL gain control: Sets the loop filter proportional time constant
 Default: 0x7 (highest gain – lowest time constant)

GAIN_P[2..0]: PLL gain control: Sets the loop filter integrator time constant
 Default: 0x7 (highest gain – lowest time constant)

NOTE: The higher the PLL gain setting, the less critical the initial DTO programming becomes since the device will have a wider lock-in range. However, once lock is acquired, any jitter on HS is amplified. Therefore, for high jitter sources, it is recommended to apply more filtering once lock is acquired to filter out this HS jitter.

3.2.12 Register Name: HS_WIDTH

Subaddress: 0B (R/W)

MSB							LSB
HS_WIDTH7	HS_WIDTH6	HS_WIDTH5	HS_WIDTH4	HS_WIDTH3	HS_WIDTH2	HS_WIDTH1	HS_WIDTH0

HS_WIDTH[7..0]:

Sets the width in pixels for HS detection. If the width of the incoming HS is less than this number, it is ignored. The width in pixels of an incoming HS is incremented at each pixel following the active edge (of which the polarity can be programmed, see HS_POL)

Default: 0x00

3.2.13 Register Name: VS_WIDTH

Subaddress: 0C (R/W)

MSB							LSB
VS_WIDTH7	VS_WIDTH6	VS_WIDTH5	VS_WIDTH4	VS_WIDTH3	VS_WIDTH2	VS_WIDTH1	VS_WIDTH0

VS_WIDTH[7..0]:

Sets the width in lines for VS detection. If the width of the incoming VS is less than this number, it is ignored. The width in lines of an incoming VS is incremented each time a valid HS is detected during a VS active. Therefore, the programmed width is the minimum number of horizontal syncs spanned by the active duration of VS.

Default: 0x00

3.2.14 Register Name: SYNC_CTRL

Subaddress: 0D (R/W)

MSB					LSB		
X	X	X	X	HS_POL	HS_MS	VS_POL	VS_MS

HS_POL:

Controls the polarity of the incoming HS
 0 = positive polarity (default)
 1 = negative polarity

HS_MS:

Controls the mux selection for activating the noise filter on incoming HS
 0 = noise filter disabled (default)
 1 = noise filter enabled

VS_POL:

Controls the polarity of the incoming VS
 0 = positive polarity (default)
 1 = negative polarity

VS_MS:

Controls the mux selection for activating the noise filter on incoming VS
 0 = noise filter disabled (default)
 1 = noise filter enabled

3.2.15 Register Name: LD_THRES

Subaddress: 0E (R/W)

MSB							LSB
LD_THRES7	LD_THRES6	LD_THRES5	LD_THRES4	LD_THRES3	LD_THRES2	LD_THRES1	LD_THRES0

LD_THRES[7..0]:

Sets hysteresis for PLL lock-detection output.

An internal counter counts the number of subsequent lines onto which lock is found, as follows: for each line (HS) on which the PFD finds that the PLL is locked, the counter is incremented by 1. The counter clips at 255 maximum. For each line (HS) that the PLL is not locked to, the counter is decremented by 8. This counter starts from 0.

Lock is signaled externally (via the LOCK_DETECT output) when this internal counter holds a value higher than <LD_THRESHOLD>. Unlock is signaled externally when this internal counter holds a value less than or equal to <LD_THRESHOLD>. So, a value of 255 will never assert the lock signal, although the PLL might be locked internally.

NOTE: the higher this value is set, the more critical the PFD will be to signal lock. Therefore, this value must be lower for high jitter HS inputs than for high quality sources.

Default: 0x10 = 16

3.2.16 Register Name: PLL_CTRL

Subaddress: 0F (R/W)

MSB							LSB
X	X	DISABLE_PFD	SEL_ADCCLK	INV2	DIV2	INV3	DIV3

DISABLE_PFD:

Disables updating of the DTO increment (i.e., keeps DTO output frequency constant and independent of the incoming HS frequency). This effect is similar as opening the PLL loop.

0 = PFD enabled

1 = PFD disabled (default): the DTO runs at a constant frequency, as determined by NOM_INC. This means the output frequency returns to the nominal value and further updating of the DTO output frequency is avoided (the PLL loop is open). This is chosen as the default mode to avoid false random frequency changes by the DTO caused by noise on the HS input. In normal operation the microprocessor periodically checks the SYNC_DETECT register. If sync is present/absent, then the PFD is enabled/disabled so, frequency drift is avoided when no input signal is present. Still the panel can be driven then by data with a nominal pixel frequency.

SEL_ADCCLK:

Selects the PLL clock or the clock signal on the EXT_ADCCLK pin, as the clock source for the ADC channels

0: internal clock selected (default)

1: external clock selected

INV2 :

Selects inverting or noninverting clock output on ADCCLK2 output pin

0: the output is not inverted (default) with respect to the internal ADCCLK1 clock

1: the output is inverted with respect to the internal ADCCLK1 clock

DIV2:

Enables divide-by-2 function on the clock output of ADCCLK2

0: divide by 2 mechanism is disabled (default)

1: divide by 2 mechanism is enabled

INV3:

Selects inverting or noninverting output on DTOCLK3, with respect to the internal DTOCLK3 clock

0: the output is not inverted (default)

1: the output is inverted

DIV3:

Enables divide-by-2 function on the clock output of DTOCLK3

0: divided by 2 mechanism is disabled (default)

1: divided by 2 mechanism is enabled

3.2.17 Register Name: HS_COUNT_0

Subaddress: 10 (R)

MSB							LSB
HS_COUNT7	HS_COUNT6	HS_COUNT5	HS_COUNT4	HS_COUNT3	HS_COUNT2	HS_COUNT1	HS_COUNT0

HS_COUNT[7..0]

HS_COUNT[11..0] holds the last horizontal sync period number (i.e., the number of pixel clock cycles between the last two HS occurrences). The device updates the value at each active edge of HS. Internal arbitration logic avoids potential read errors between the register contents and the asynchronous I²C bus. This value can be read by the microcontroller to derive the line frequency of the incoming video/graphics format.

Default: (changed during operation)

3.2.18 Register Name: HS_COUNT_1

Subaddress: 11 (R)

MSB				LSB			
X	X	X	X	HS_COUNT11	HS_COUNT10	HS_COUNT9	HS_COUNT8

HS_COUNT[11..8]:

See register HS_COUNT_0

Default: (changed during operation)

3.2.19 Register Name: VS_COUNT_0

Subaddress: 12 (R)

MSB							LSB
VS_COUNT7	VS_COUNT6	VS_COUNT5	VS_COUNT4	VS_COUNT3	VS_COUNT2	VS_COUNT1	VS_COUNT0

VS_COUNT[7..0]:

VS_COUNT[11..0] holds the last vertical sync period number (i.e., the number of line periods between the last two VS occurrences). The device updates the value at each active edge of VS. Internal arbitration logic avoids potential read errors between the register contents and the asynchronous I²C bus. This value can be read by the microcontroller to derive the frame rate of the incoming video/graphics format.

Default: (changed during operation)

3.2.20 Register Name: VS_COUNT_1

Subaddress: 13 (R)

MSB				LSB			
X	X	X	X	VS_COUNT11	VS_COUNT10	VS_COUNT9	VS_COUNT8

VS_COUNT[11..8]

See register VS_COUNT0

Default: (changed during operation)

3.2.21 Register Name: DTO_INC_0

Subaddress: 14 (R)

MSB							LSB
DTO_INC7	DTO_INC6	DTO_INC5	DTO_INC4	DTO_INC3	DTO_INC2	DTO_INC1	DTO_INC0

DTO_INC[7..0]

DTO_INC[32..0] stores the current value of the DTO increment. This can be read by the microcontroller to derive the actual pixel clock frequency.

Default: (changed during operation)

3.2.22 Register Name: DTO_INC_1

Subaddress: 15 (R)

MSB							LSB
DTO_INC15	DTO_INC14	DTO_INC13	DTO_INC12	DTO_INC11	DTO_INC10	DTO_INC9	DTO_INC8

DTO_INC[15..8]:

See register DTO_INC_0

Default: (changed during operation)

3.2.23 Register Name: DTO_INC_2

Subaddress: 16 (R)

MSB							LSB
DTO_INC23	DTO_INC22	DTO_INC21	DTO_INC20	DTO_INC19	DTO_INC18	DTO_INC17	DTO_INC16

DTOINC[23..16]:

See register DTO_INC_0
 Default: (changed during operation)

3.2.24 Register Name: DTO_INC_3

Subaddress: 17 (R)

MSB							LSB
DTO_INC31	DTO_INC30	DTO_INC29	DTO_INC28	DTO_INC27	DTO_INC26	DTO_INC25	DTO_INC24

DTO_INC[31..24]:

See register DTO_INC_0.
 Default: (changed during operation)

3.2.25 Register Name: DTO_INC_4

Subaddress: 18 (R)

MSB							LSB
X	X	X	X	X	X	X	DTO_INC32

DTO_INC32:

See register DTO_INC_0.
 Default: (changed during operation)

3.2.26 Register Name: SYNC_DETECT

Subaddress: 19 (R)

MSB							LSB
X	X	X	X	X	X	X	NO_SYNC

NO_SYNC:

Sync detection on HS.
 0 = HS present
 1 = HS missing
 Default: (changed during operation)

3.2.27 Register Name: CLP_CTRL

Subaddress: 20 (R/W)

MSB							LSB
	CLPSEL	CLP1_EN	CLP1_RG	CLP2_EN	CLP2_RG	CLP3_EN	CLP3_RG

CLPSEL Selects the clamp timing signal
 0: internal clamp timing pulse is selected (default)
 1: external clamp timing pulse is selected

CLP1_EN: Enables/disables clamping on channel 1
 1: enable (default)
 0: disable

CLP1_RG: Sets the clamp range for channel 1
 1: middle range
 0: bottom range (default)

CLP2_EN: Enables/disables clamping on channel 2

- 1: enable (default)
- 0: disable

CLP2_RG: Sets the clamp range for channel 2

- 1: middle range
- 0: bottom range (default)

CLP3_EN: Enables/disables clamping on channel 3

- 1: enable (default)
- 0: disable

CLP3_RG: Sets the clamp range for channel 3

- 1: middle range
- 0: bottom range (default)

3.2.28 Register Name: CLP_START_0

Subaddress: 21 (R/W)

MSB								LSB
CLP_START7	CLP_START6	CLP_START5	CLP_START4	CLP_START3	CLP_START2	CLP_START1	CLP_START0	

CLP_START[7..0]:

CLP_START[11..0] sets the pixel count value that defines the start of the internal clamping pulse. If external clamping is selected (via CLPSEL) this value has no meaning.
Default: 0x2

3.2.29 Register Name: CLP_START_1

Subaddress: 22 (R/W)

MSB								LSB
X	X	X	X	CLP_START11	CLP_START10	CLP_START9	CLP_START8	

CLP_START[11..8]:

See register CLP_START_0
Default: 0x00

3.2.30 Register Name: CLP_STOP_0

Subaddress: 23 (R/W)

MSB								LSB
CLP_STOP7	CLP_STOP6	CLP_STOP5	CLP_STOP4	CLP_STOP3	CLP_STOP2	CLP_STOP1	CLP_STOP0	

CLP_STOP[7..0]:

CLP_STOP[11..0] sets the pixel count value that defines the end of the internal clamping pulse. If external clamping is selected (via CLPSEL) this value has no meaning.
Default: 0x40 = 64

3.2.31 Register Name: CLP_STOP_1

Subaddress: 24 (R/W)

MSB								LSB
X	X	X	X	CLP_STOP11	CLP_STOP10	CLP_STOP9	CLP_STOP8	

CLP_STOP[11..8]:

See register CLP_STOP_0
Default: 0x00

NOTE: A setting of about 62 clamp clock cycles is sufficient to assure enough clamp timing (>500 ns) at worst case (=highest clock frequency).

3.2.32 Register Name: CH1_CLP

Subaddress: 25 (R/W)

MSB							LSB
CH1_CLP7	CH1_CLP6	CH1_CLP5	CH1_CLP4	CH1_CLP3	CH1_CLP2	CH1_CLP1	CH1_CLP0

CH1_CLP[7..0]

Programmable clamp value for channel 1
 Default: 0x80 = 128 (mid-range)

3.2.33 Register Name: CH1_COARSE

Subaddress: 26 (R/W)

MSB							LSB
X	X	CH1_COARSE5	CH1_COARSE4	CH1_COARSE3	CH1_COARSE2	CH1_COARSE1	CH1_COARSE0

CH1_COARSE[5..0]

Coarse PGA value for channel 1
 Default: 0x20 = 32 (mid-range)

3.2.34 Register Name: CH1_FINE

Subaddress: 27 (R/W)

MSB							LSB
X	X	X	CH1_FINE4	CH1_FINE3	CH1_FINE2	CH1_FINE1	CH1_FINE0

CH1_FINE[4..0]

Fine PGA value for channel 1
 Default: 0x10 = 16 (mid-range)

3.2.35 Register Name: CH2_CLP

Subaddress: 28 (R/W)

MSB							LSB
CH2_CLP7	CH2_CLP6	CH2_CLP5	CH2_CLP4	CH2_CLP3	CH2_CLP2	CH2_CLP1	CH2_CLP0

CH2_CLP[7..0]

Programmable clamp value for channel 2
 Default: 0x80 = 128 (mid-range)

3.2.36 Register Name: CH2_COARSE

Subaddress: 29 (R/W)

MSB							LSB
X	X	CH2_COARSE5	CH2_COARSE4	CH2_COARSE3	CH2_COARSE2	CH2_COARSE1	CH2_COARSE0

CH2_COARSE[5..0]

Coarse PGA value for channel 2
 Default: 0x20 = 32 (mid-range)

3.2.37 Register Name: CH2_FINE

Subaddress: 2A (R/W)

MSB							LSB
X	X	X	CH2_FINE4	CH2_FINE3	CH2_FINE2	CH2_FINE1	CH2_FINE0

CH2_FINE[4..0]

Fine PGA value for channel 2
 Default: 0x10 = 16 (mid-range)

3.2.38 Register Name: CH3_CLP

Subaddress: 2B (R/W)

MSB							LSB
CH3_CLP7	CH3_CLP6	CH3_CLP5	CH3_CLP4	CH3_CLP3	CH3_CLP2	CH3_CLP1	CH3_CLP0

CH3_CLP[7..0]

Programmable clamp value for channel 3
 Default: 0x80 = 128 (mid-range)

3.2.39 Register Name: CH3_COARSE

Subaddress: 2C (R/W)

MSB							LSB
X	X	CH3_COARSE5	CH3_COARSE4	CH3_COARSE3	CH3_COARSE2	CH3_COARSE1	CH3_COARSE0

CH3_COARSE[5..0]

Coarse PGA value for channel 3
 Default: 0x20 = 32 (mid-range)

3.2.40 Register Name: CH3_FINE

Subaddress: 2D (R/W)

MSB							LSB
X	X	X	CH3_FINE4	CH3_FINE3	CH3_FINE2	CH3_FINE1	CH3_FINE0

CH3_FINE[4..0]

Fine PGA value for channel 3
 Default: 0x10 = 16 (mid-range)

3.2.41 Register Name: PIX_TRAP_0

Subaddress: 2E (R/W)

MSB							LSB
PIX_TRAP7	PIX_TRAP6	PIX_TRAP5	PIX_TRAP4	PIX_TRAP3	PIX_TRAP2	PIX_TRAP1	PIX_TRAP0

PIX_TRAP[7..0]

PIX_TRAP[10..0] sets the pixel count value in a line to be sampled. Each <PIX_TRAP>th value on each line is stored in the CH<n>_RDBK registers

Default: 0x04

3.2.42 Register Name: PIX_TRAP_1

Subaddress: 2F (R/W)

MSB							LSB
X	X	X	X	PIX_TRAP11	PIX_TRAP10	PIX_TRAP9	PIX_TRAP8

PIX_TRAP[11..8]:

See register PIX_TRAP_0
 Default: 0x00

3.2.43 Register Name: PWDN_CTRL

Subaddress: 30 (R/W)

MSB							LSB
X	X	X	PWDN_ALL	X	PWDN_REF	PWDN_BGAP	DTO_DIS

PWDN_ALL

Powers down complete chip excluding I²C, clamping, and composite sync slicer. Enables *green* mode for monitor standby.

0 = active (default)
 1 = powered down

PWDN_REF

Powers down internal top and bottom references for all channels (VREFT / VREFB). If powered down, enables user to supply external VREFT / VREFB references on corresponding pins.

- 0 = active (default)
- 1 = powered down

PWDN_BGAP

Powers down bandgap reference. If powered down, enables user to supply external VMID (input common mode voltage) on corresponding pin.

- 0 = active (default)
- 1 = powered down

DTO_DIS

Disables the DTO. Can be disabled when an external clock (EXT_ADCCLK) is used and the user does not intend to use the PLL output on DTOCLK3. When the PLL is active, it can be used as the clock source for the ADC channels or the ADC's can still run from EXT_ADCCLK depending on the SEL_ADCCLK register setting. Note that when the DTO is enabled and the device is configured to use an external clock, the DTO clock is still available on the DTOCLK3 pin so it can be used as a general-purpose clock synthesizer for other parts in the system, possibly the display clock if this is different from the input pixel clock.

Since the DTO is also used for internal clock generation, power should always be supplied to the PLL supply pins, even when the ADC sampling clock is fed from EXT_ADCCLK and DTO_DIS is active.

- 0 = active (default)
- 1 = powered down

3.2.44 Register Name: AUX_CTRL

Subaddress: 31 (R/W)

MSB							LSB
X	X	CS_SEL	CS_DIS	TEST2	TEST1	TEST0	TACT

CS_SEL

Composite sync select. Selects the source of the composite sync for slicing.

- 0 = from Ch1 input
- 1 = from CS_IN input

CS_DIS

Enables/disables the composite sync output on terminal CS/TEST1. The state of the CS output is also dependent on the clamp range (see *Composite Sync Slicer* section).

- 0 = enabled (default)
- 1 = disabled

TEST[2..0]

TACT

Used for TI factory testing only; should not be changed from its all-0 default value.

3.2.45 Register Name: CH1_RDBK

Subaddress: 32 (R)

MSB							LSB
CH1_RDBK7	CH1_RDBK6	CH1_RDBK5	CH1_RDBK4	CH1_RDBK3	CH1_RDBK2	CH1_RDBK1	CH1_RDBK0

CH1_RDBK[7..0]:

Readback register of ADC channel 1
 Default: (changed during operation)

3.2.46 Register Name: CH2_RDBK

Subaddress: 33 (R)

MSB							LSB
CH2_RDBK7	CH2_RDBK6	CH2_RDBK5	CH2_RDBK4	CH2_RDBK3	CH2_RDBK2	CH2_RDBK1	CH2_RDBK0

CH2_RDBK[7..0]:

Readback register of ADC channel 2
 Default: (changed during operation)

3.2.47 Register Name: CH3_RDBK

Subaddress: 34 (R)

MSB							LSB
CH3_RDBK7	CH3_RDBK6	CH3_RDBK5	CH3_RDBK4	CH3_RDBK3	CH3_RDBK2	CH3_RDBK1	CH3_RDBK0

CH3_RDBK[7..0]:

Readback register of ADC channel 3
 Default: (changed during operation)

3.2.48 Register Name: OFM_CTRL

Subaddress: 40 (R/W)

MSB						LSB	
X	X	X	X	DHS_MODE	DHS_POL	OFM_MODE1	OFM_MODE0

DHS_MODE

Controls how DHS (display horizontal sync output) is generated. DHS can be a version of the signal on the HS input terminal, synchronized to the sampling clock and compensated for the data pipeline delay through the part (see timing diagrams). This preserves the HS width but has the disadvantage that, for some phase settings, there is a one-pixel uncertainty on the exact timing of DHS (if HS falls within setup/hold time of the input register that is clocked by the ADC sampling clock).

Therefore, a second option exist to generate DHS as the output pulse of the PLL feedback divider. Since this pulse is generated once for every <TERM_CNT> cycles of the DTO clock, the uncertainty is resolved. This can avoid possible horizontal line jitter on the display system. The width of the DHS pulse is in this case always 1 ADC clock cycle, independent of the width of the incoming HS. This method also assures the generation of a DHS pulse on every line, even when no incoming HS is present or when it is filtered out by sync processing (e.g., from composite sync extraction).

- 0 = DHS is generated from the output of the PLL feedback divider (default)
- 1 = DHS is generated as a latched and delayed version of HS input

DHS_POL

Controls polarity of the DHS output
 0 = positive polarity (default)
 1 = negative polarity

OFM_MODE[1..0]:

Defines mode of output formatter and frequency on DATACLK1 as in Table 3–2.

Table 3–2. Output Formatter

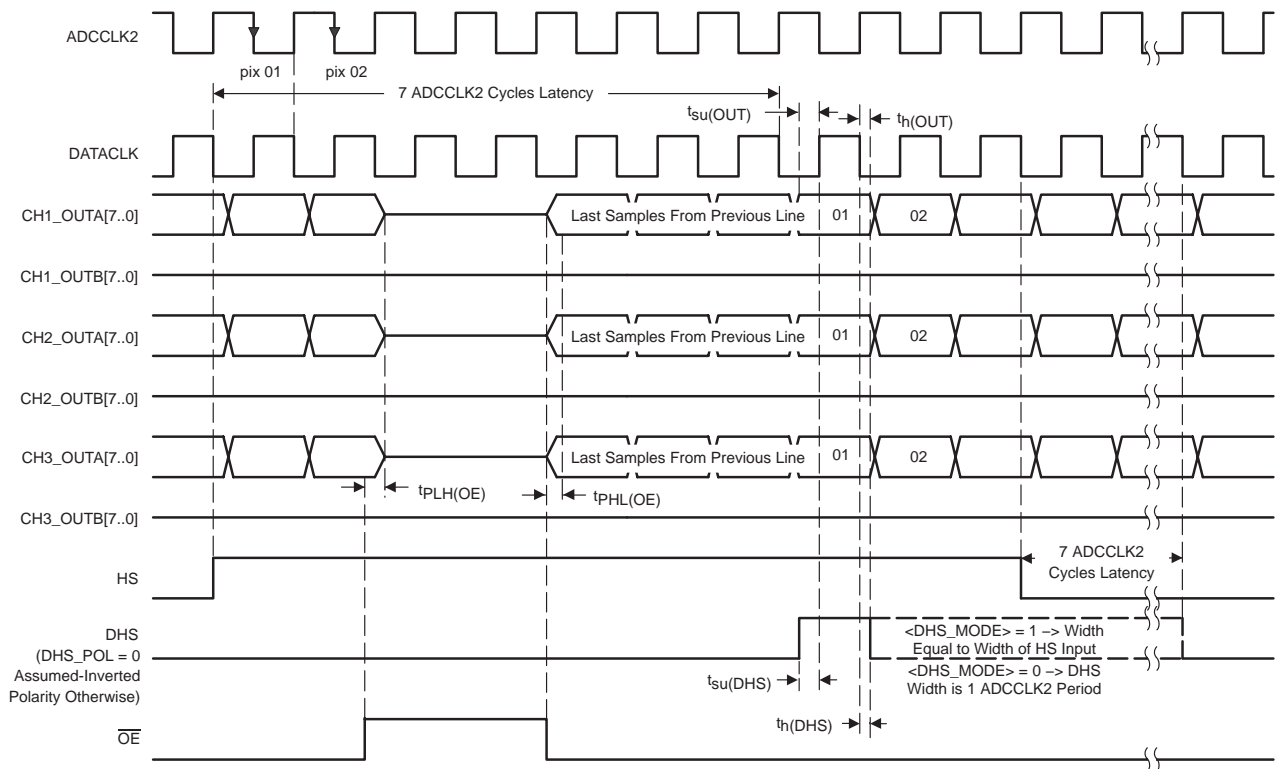
OFM_MODE [1..0]	DESCRIPTION	DATACLK1 OUTPUT FREQUENCY
00 (default)	24-bit parallel mode: 24-bit output on bus A, bus B is Hi-Z	F _s
01	16-bit mode 16-bit output on ch1 and ch2 of bus A, with data from ch2 and ch3 downsampled by 2 (parallel 4:2:2 CCIR–601 mode), bus B is Hi-Z	F _s
10	48-bit interleaved mode 48-bit output on buses A and B at half sampling rate. Data on bus B shifted by 1 F _s clock.	F _s /2
11	48-bit parallel mode 48-bit output on buses A and B at half sampling rate	F _s /2

4 Parameter Measurement Information

All timing diagrams are shown for operation with internal PLL clock at phase 0, and ADCCLK2 non-inverted and non-divided-by-2.

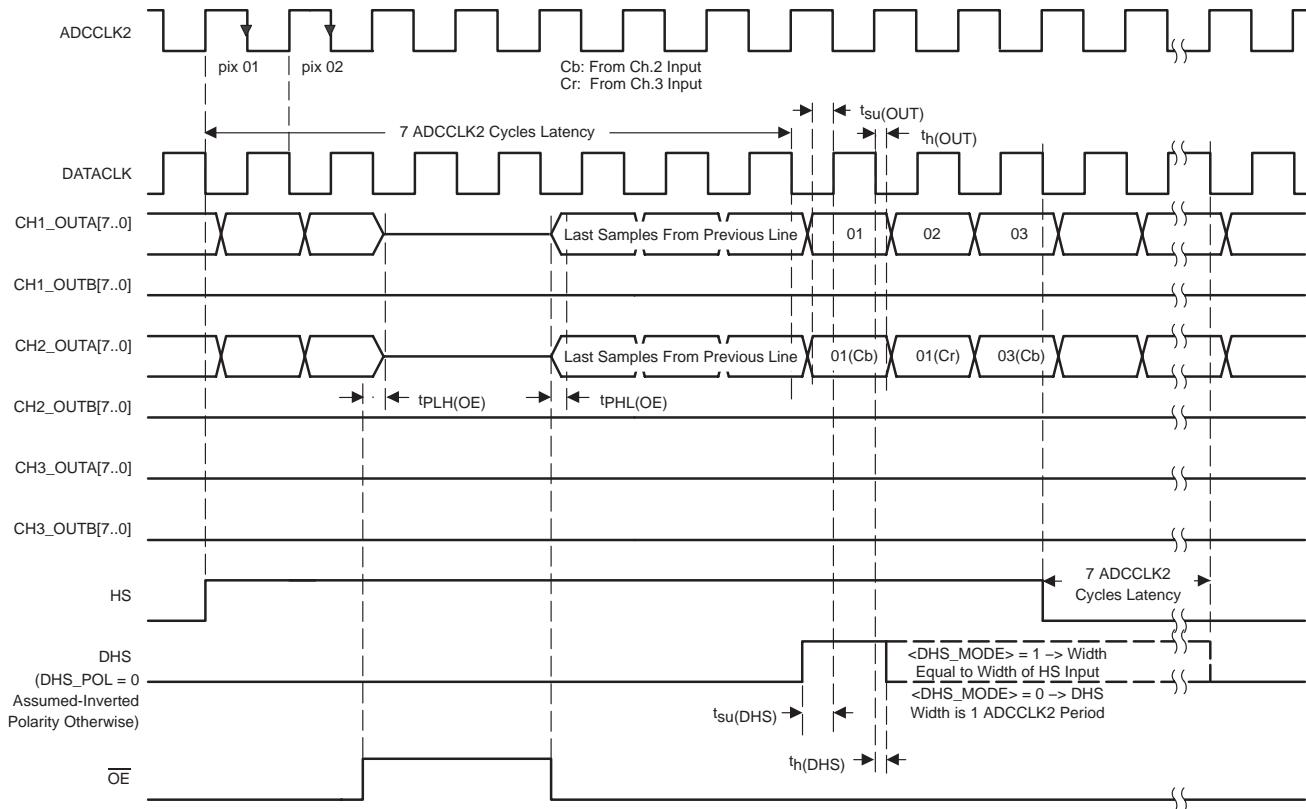
4.1 Timing Diagram—24-Bit Parallel Mode

This mode outputs data on the three channels simultaneously in single-pixel mode. DATACLK1 is at the sampling clock frequency; output bus B remains high-impedance.



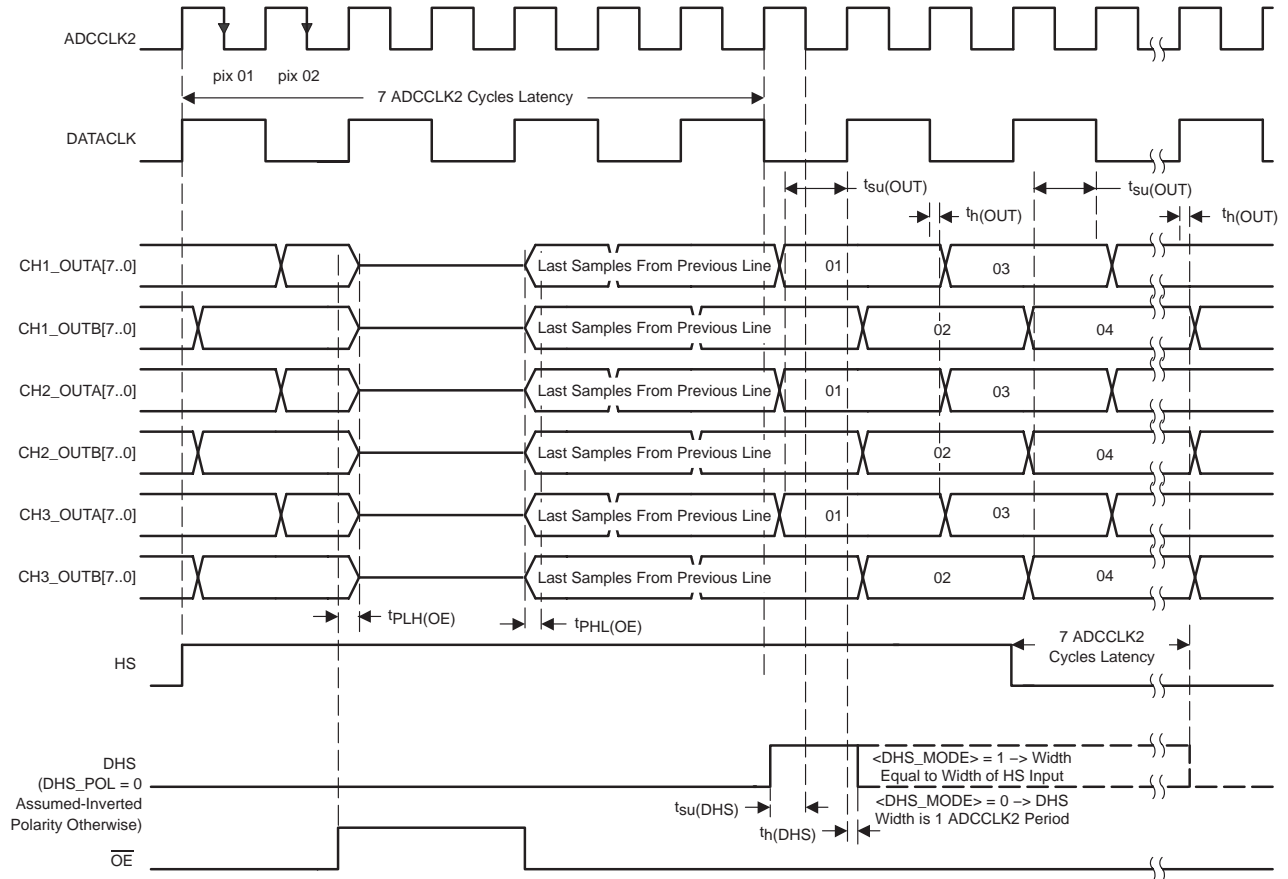
4.2 Timing Diagram—16-Bit Parallel Mode

This is the ITU-R.BT-601 style mode typically used in YUV operation of the part with a Y analog input connected to the Ch1 input of the THS8083A95, and with Cb and Cr connected to the Ch2 and Ch3 inputs, respectively. The DATACLK1 output is at the sampling clock frequency and Ch3 remains unused. The output bus B of all channels is high impedance. The HS_D signal can be used to uniquely identify output data Cb from Cr.



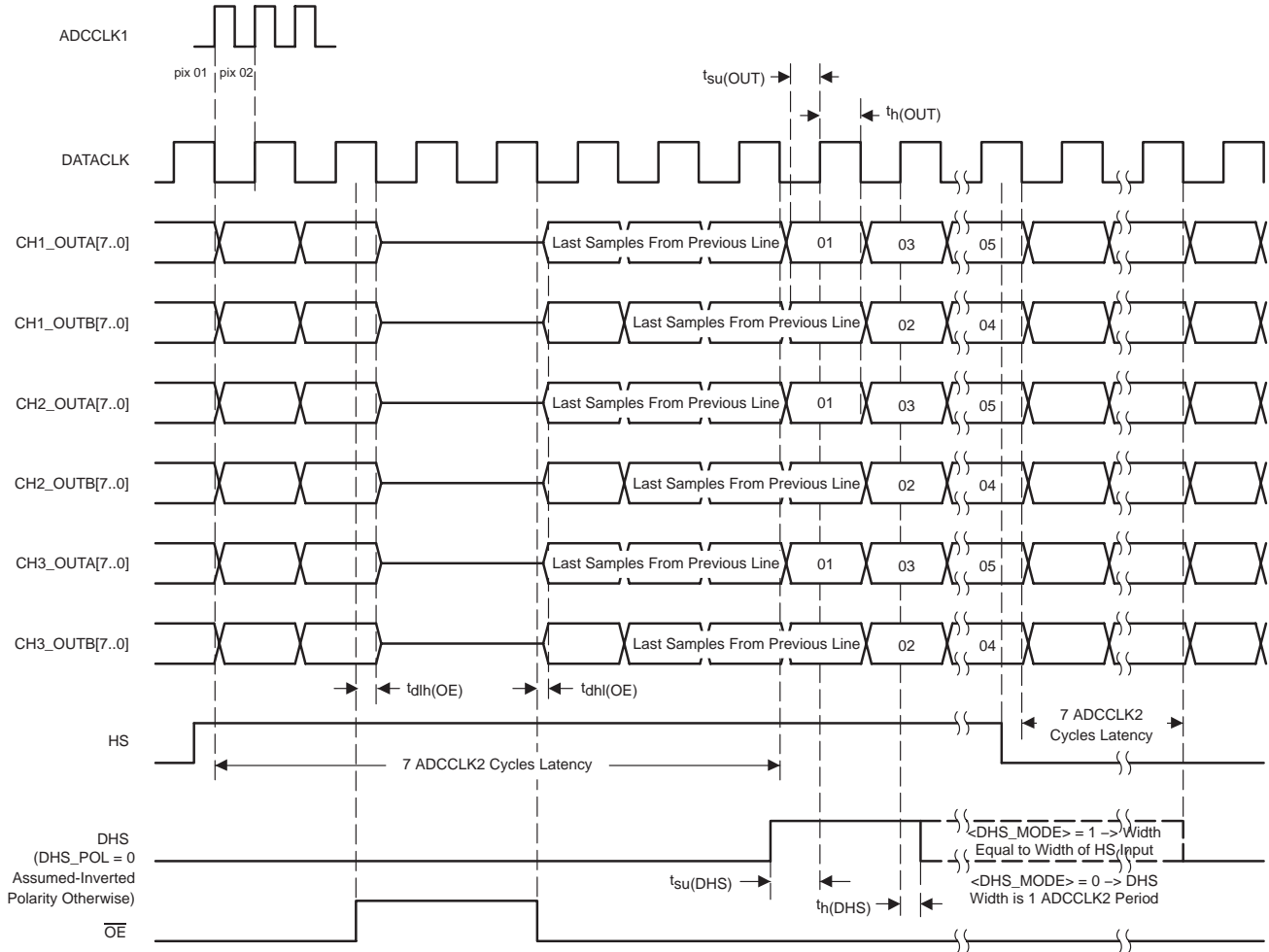
4.3 Timing Diagram—48-Bit Interleaved Mode

This mode allows a double-pixel width output interface with one sampling clock period time offset between buses A and B. The DATACLK1 output is at half of the sampling clock frequency. Data on output bus A precedes data on output bus B.



4.4 Timing Diagram—48-Bit Parallel Mode

This mode allows a double-pixel width output interface with no time offset between buses A and B. The DATACLK1 output is at half of the sampling clock frequency. Data on output bus A precedes data on output bus B.



5 Electrical Specifications

Electrical specifications over recommended operating conditions with $F_s = 95$ MSPS (unless otherwise noted)

5.1 Definition of Test Conditions



Figure 5–1. Input Test Waveform

Test condition SYSTEM_INTREF refers to:

- All supplies at 3.3 V
- XTL1_MCLK & XTL2 connected at 14.31818 MHz
- No power downs enabled
- XGA at 85-Hz operation mode, internal clock, clamping enabled, internal clamp timing, coarse and fine PGAs at midscale, bottom-level clamping, clamp code at midscale, 24-bit output mode
- Identical ac-coupled 0.8 Vpp ramp-shape input on all 3 channels at 60.0-kHz line rate, as shown in Figure 5–1
- Use of internal bandgap and voltage references

Test condition PLL refers to:

- SYSTEM_INTREF, with an input signal other than the ramp-shape input test waveform of Figure 5–1.

Test condition ADC_INTREF refers to:

- All supplies at 3.3 V
- Use of internal bandgap and voltage references
- Use of external ADCCLK clock (SEL_ADCCLK = 1), driven at 94.5 MHz
- No power downs enabled
- Identical ac-coupled, 0.8 Vpp ramp-shape input on all three channels at 60.0-kHz line rate, as shown in Figure 5–1

Test condition ADC_EXTREF refers to:

- ADC_INTREF, except: PWDN_BGAP = PWDN_REF = 1, VMID and VREFTO/BO driven from an external source at nominal levels

Test condition ADC_PWDN refers to:

- ADC_INTREF, except: PWDN_ALL = 1

5.2 Absolute Maximum Ratings Over Operating Free-Air Temperature Range (unless otherwise noted)

Supply voltage range:	Analog supplies (see Note 1) to AGND,	
	Digital supplies (see Note 2) to DGND	–0.5 to 4.5 V
	Analog supplies to digital supplies, AGND to DGND	–0.5 to 0.5 V
Digital input voltage range to DGND, V_I		–0.5 to $DV_{DD} + 0.5$ V
Analog input voltage range to AGND, V_I		–0.5 to $AV_{DD} + 0.5$ V
Bandgap reference to AGND (see Note 3)		–0.5 to $AV_{DD} + 0.5$ V
Reference voltage (VREFTO_CHx, VREFBO_CHx) input range to AGND, V_{ref} (see Note 4)		–0.5 to $AV_{DD} + 0.5$ V
Operating free-air temperature range, T_A : THS8083A95PZP		0°C to 70°C
Storage temperature range, T_{stg}		–55°C to 150°C

† Stresses beyond those listed under “absolute maximum ratings” may cause permanent damage to the device. These are stress ratings only, and functional operation of the device at these or any other conditions beyond those indicated under “recommended operating conditions” is not implied. Exposure to absolute-maximum-rated conditions for extended periods may affect device reliability.

- NOTES:
1. AVDD_PLL, AVDD_REF, AVDD_CH1, AVDD_CH2_3
 2. DVDD_PLL, DVDD
 3. Only input in case PWDN_BGAP=1
 4. Only input in case PWDN_REF=1

5.3 Recommended Operating Conditions Over Operating Free-Air Temperature Range, $T_A = 0^\circ\text{C}$ to 70°C (unless otherwise noted)

5.3.1 Power Supply

PARAMETER	MIN	NOM	MAX	UNIT
Supply voltage, all supplies	3.0	3.3	3.6	V

5.3.2 Analog and Reference Inputs (see Note 5)

PARAMETER	MIN	NOM	MAX	UNIT
Reference input voltage (top), $V_I(\text{REFT})$	1.88	1.9	1.92	V
Reference input voltage (bottom), $V_I(\text{REFB})$	1.08	1.10	1.12	V
Analog input voltage (dc-coupled), $V_I(\text{AIN})$	$V_I(\text{REFB})$		$V_I(\text{REFT})$	V
Analog input voltage range, V_I			1.2	V

NOTE 5: VREFTO_CHx and VREFBO_CHx can be inputs only when PWDN_REF=1.

5.3.3 Digital Inputs

PARAMETER	MIN	NOM	MAX	UNIT
High-level input voltage, V_{IH}	2.0		DVDD	V
Low-level input voltage, V_{IL}	DGND		0.2 x DVDD	V
Clock period, t_c	10.5			ns
Pulse duration, clock high, $t_w(\text{CLKH})$	4.42			ns
Pulse duration, clock low, $t_w(\text{CLKL})$	4.42			ns

5.4 Electrical Characteristics Over Recommended Operating Free-Air Temperature Range, $T_A = 0^\circ\text{C}$ to 70°C (unless otherwise noted)

NOTE: In order to reach stated performance levels, the device's PowerPad feature should be thermally and electrically connected to the pcb ground plane, as described in section 6.1 *Designing With PowerPad*.

5.4.1 Power Supply (3.3 V All Supplies)

PARAMETER	TEST CONDITIONS	MIN	TYP	MAX	UNIT
Analog supply (=AVDD_CH1+AVDD_CH2_3+AVDD_PLL+AVDD_REF)	ADC_INTREF		330	385	mA
Digital supply (=DVDD+DVDD_PLL)	ADC_INTREF		139	145	mA
Total power dissipation normal operation	ADC_INTREF		1.5	1.75	W
Total power dissipation, power down all modes	ADC_PWDN			385	mW

5.4.2 Digital Logic Inputs (HS, VS, SCL, SDA, I2CA, XTL1_MCLK, EXT_ADCCLK, $\overline{\text{OE}}$, $\overline{\text{RESET}}$, EXT_CLP)

PARAMETER	TEST CONDITIONS	MIN	TYP	MAX	UNIT
I_{IH} High-level input current	DVDD = 3.6 V, Digital inputs and CLK at 0 V for I_{IL} ; Digital inputs and CLK at 3.6 V for I_{IH}	-10		10	μA
I_{IL} Low-level input current		-10		10	μA
$I_{IL}(\text{CLK})$ Low-level input current, CLK (see Note 6)		-14		17	μA
$I_{IH}(\text{CLK})$ High-level input current, CLK (see Note 6)		-14		17	μA
C_I Input capacitance			5		pF

NOTE 6: Applies when XTL1_MCLK is driven by the clock signal directly.

5.4.3 Logic Outputs (SDA, CHn_OUTA[7..0], CHn_OUTB[7..0], DTOCLK3, ADCCLK2, DATACLK1, DHS, LOCK)

PARAMETER	TEST CONDITIONS	MIN	TYP	MAX	UNIT
V_{OH} High-level output voltage	DVDD = 3 V at $I_{OH} = 50 \mu\text{A}$, Digital output forced high	2.9			V
V_{OL} Low-level output voltage	DVDD = 3.6 V at $I_{OL} = 50 \mu\text{A}$, Digital output forced low			0.15	V
C_O Output capacitance			5		pF
$I_{OZ(H)}/I_{OZ(L)}^\dagger$ High-impedance-state output current	DVDD = 3.6 V Worst case for $V_O = 3.6 \text{ V}$ and $V_O = 0 \text{ V}$	-10		10	μA

† Tested for CHn-A[7..0] and CHn-B[7..0] only

5.4.4 I²C Interface

PARAMETER	TEST CONDITIONS	MIN	TYP	MAX	UNIT
V _{IL}	Low-level input voltage			0.99	V
V _{IH}	High-level input voltage	2.31			V
f(SCL)	SCL clock frequency	0	400 [†] /100 [‡]		kHz
t _(LOW)	Low period of SCL	Valid for I ² C fast mode support only. See footnotes to SCL clock frequency.		1.3	μs
t _(HIGH)	High period of SCL			0.6	μs
t _h (DATA)	Data hold time			0 [§]	μs
t _{su} (DATA)	Data setup time			100 [¶]	μs
C _(b)	Capacitive load for each bus line [#]			400	pF

[†] For DTO clock frequencies 25 MHz minimum (I²C fast mode)

[‡] For DTO clock frequencies below 25 MHz (I²C normal mode)

[§] The device must internally provide a hold time of 300 ns for the SDA signal (referred to V_{IH(min)} of the SCL signal) in order to bridge the undefined region of the falling edge of SCL.

[¶] If the device is used in a standard mode I²C system, the requirement of t_{su}(DATA) ≥ 250 ns must be met.

[#] C_b = total capacitance of one bus line in pF

5.4.5 ADC Channel

5.4.5.1 DC Accuracy[†]

PARAMETER	TEST CONDITIONS	MIN	TYP	MAX	UNIT
Integral nonlinearity (INL)	PLL (see Note 7)	-2	±1	2.15	LSB
Differential nonlinearity (DNL)	PLL (see Note 8)	-1		1.75	LSB
No missing codes		Assured			
Gain error	ADC_INTREF (see Note 9)			-43	mV
Offset error	ADC_INTREF (see Note 10)			-60	mV

[†] Assured at nominal voltage supply levels only.

NOTES: 7. Integral nonlinearity (INL) —Integral nonlinearity refers to the deviation of each individual code from a line drawn from zero to full scale. The point used as zero occurs 1/2 LSB before the first code transition. The full-scale point is defined as a level 1/2 LSB beyond the last code transition. The deviation is measured from the center of each particular code to the true straight line between these two end points.

8. Differential nonlinearity (DNL)—An ideal ADC exhibits code transitions that are exactly 1 LSB apart. DNL is the deviation from this ideal value. Therefore, this measure indicates how uniform the transfer function step sizes are. The ideal step size is defined here as the step size for the device under test (i.e., last transition level – first transition level)/(2ⁿ – 2). Using this definition for DNL separates the effects of gain and offset error. A DNL of less than ±1 LSB ensures no missing codes. A DNL of less than ±1/2 LSB assures monotonic behavior.

9. Gain error—The first code transition should occur for an analog value 1/2 LSB above nominal negative full scale (the voltage applied to the REFBI terminal). The last transition should occur for an analog value 1/2 LSB below nominal positive full scale (the voltage applied to the REFTI terminal). Gain error is defined here as the deviation from the ideal location of the highest transition level on the ADC transfer function.

10. Offset error—The first code transition should occur at a level 1/2 LSB above zero. Offset is defined as the deviation of the actual first code transition from that point.

5.4.5.2 Dynamic Performance†

PARAMETER	TEST CONDITIONS	MIN	TYP	MAX	UNIT
	ADC_INTREF				
Effective number of bits, ENOB (from SNR)	$f_I = 20$ MHz		6.5		Bits
Signal-to-total ratio without distortion, SNR	$f_I = 20$ MHz		42		dB
Total harmonic distortion, THD	$f_I = 1$ MHz		-47		dB
Spurious free dynamic range, SFDR	$f_I = 1$ MHz		51		dB
Analog input full-power bandwidth, BW	(see Note 11)		500		MHz

† Based on analog input voltage of 1 dB FS referenced to the full-scale input range and a clock signal with 50% duty cycle

NOTE 11: Analog input bandwidth—The analog input bandwidth is defined as the maximum frequency of the input sine that can be applied to the device for which a 3 dB attenuation is observed in the reconstructed signal.

5.4.5.3 Clamp

PARAMETER	TEST CONDITIONS		MIN	TYP	MAX	UNIT
	ADC_INTREF					
Clamp code adjustment range	See Note 12		100		138	LSB
Clamp acquisition time at input dc level change	Input level changed by 100 mV	Within 10% of final value		1		ms
		Within 1 LSB of final value		2.4		ms
Clamp acquisition time, clamp code change	Clamp changed from minimum to maximum	Within 1 LSB		500	1000	ns
Clamp droop error	Droop between 2 clamps at 15 kHz line rate			0.5	1.6	LSB

NOTE 12: Clamp code adjustment range—A dc-input signal is applied to the device. The clamp code is changed from minimum to maximum setting. The corresponding change in the ADC output code is defined as the clamp code adjustment range.

5.4.6 Coarse PGA

PARAMETER	TEST CONDITIONS	MIN	TYP	MAX	UNIT
Full-scale adjustment range		0.4		1.2	V
Accuracy		± 6			LSB

5.4.7 Fine PGA

PARAMETER	TEST CONDITIONS	MIN	TYP	MAX	UNIT
Full-scale adjustment range		-4		8	LSB

5.4.8 Output Formatter/Timing Requirements

PARAMETER		TEST CONDITIONS	MIN	TYP	MAX	UNIT
f_{clk}	Maximum conversion rate	THS8083A95	95			MHz
f_{clk}	Minimum conversion rate				13	MHz
$t_{su}(OUT)$	Setup time	With respect to 50% level of rising edge on DATACLK	1.6			ns
$t_h(OUT)$, $t_h(DHS)$	Hold time		1			ns
$t_{su}(DHS)$	Setup time		2			ns
$t_{PLH}(OE)$	Propagation (delay) time, low-to-high	See Note 13			8.5	ns
$t_{PHL}(OE)$	Propagation (delay) time, high-to-low-level output				8.5	
	DATACLK1 output duty cycle		40%		60%	
	HS and data pipeline delay	See Note 14	See timing diagrams			

NOTES: 13. Output timing—OE timing $t_{PLH}(OE)$ is measured from the $V_{IH}(MIN)$ level of OE to the high-impedance state of the output data. The digital output load is not higher than 10 pF.

OE timing $t_{PHL}(OE)$ is measured from the $V_{IL}(MAX)$ level of OE to the instant when the output data reaches $V_{OH}(min)$ or $V_{OL}(max)$ output levels. The digital output load is not higher than 10 pF.

14. Pipeline delay (latency)—The number of clock cycles between conversion initiation on an input sample and the corresponding output data being made available. Once the data pipeline is full, new valid output data are provided every clock cycle.

5.4.9 PLL

5.4.9.1 Open Loop

PARAMETER		TEST CONDITIONS	MIN	TYP	MAX	UNIT
DTO frequency range, $f_{(DTO)}$	THS8083A95	See Note 15	13		95	MHz
Instantaneous jitter, $t_{(INS)}$		See Note 15		260		ps
Short-term jitter, $t_{(JOS)}$			800 (p-p) 240 (rms)	1250 (p-p) 485 (rms)		ps
Phase Increment			11.25 Monotonic			deg

NOTE 15: PLL characterization:

- Instantaneous jitter is the pk-pk position variation of the clock rising edge between succeeding periods.
- Short term jitter in open loop or closed loop is defined as the variation of the clock rising edge within one PLL update period (within the same video line). This can be visually measured by capturing the clock and displaying it on a digital scope with a persistency of one video line. Numerically, the time instants of the rising edges, at a defined voltage level, of a number N of clock cycles ($N = 800$) are captured at a high sampling rate. The average clock time period is calculated from these time instants. The deviation between each actual time instant and the ideal, based on the average clock time period, is defined as a statistically distributed jitter value along one line. This jitter is measured on both DATACLK1 and DTOCLK3 outputs.

5.4.9.2 Closed Loop

PARAMETER	TEST CONDITIONS	MIN	TYP	MAX	UNIT
f _(HS) HS locking range	See Note 16	15		100	kHz
t _(acq) Lock-in time			5		ms
t _(JCS) Short-term jitter		975 (p-p) 260 (rms)	1500 (p-p) 475 (rms)	ps	
t _(JCL) Long-term jitter	See Note 16	1025 (p-p) 265 (rms)	1500 (p-p) 485 (rms)	ps	

NOTE 16: PLL characterization:

- Short term jitter in open loop or closed loop is defined as the variation within one PLL update period (within the same video line) of the clock rising edge. This is measured visually by capturing the clock and displaying it on a digital scope with a persistency of one video line. Numerically, the time instants of the rising edges, at a defined voltage level, of a number of clock cycles (N = 800) are captured at a high sampling rate. The average clock time period is calculated from these time instants. The deviation between each actual time instant and the ideal, based on the average clock time period, is defined as a statistically distributed jitter value along one line. This jitter is measured on both DATACLK1 and DTOCLK3 outputs.
- Long term jitter in closed loop is defined as the variation over one video frame of the Nth clock rising edge on each line. This is measured by capturing the time instant at a defined level on the rising edge of the Nth clock after HS is reached on each line. The calculation uses the same principle used with short term jitter, but now takes one sample on every line and N = 800 lines.

5.4.10 Typical Plots (25°C and Measured for Standard VESA Graphics Formats)

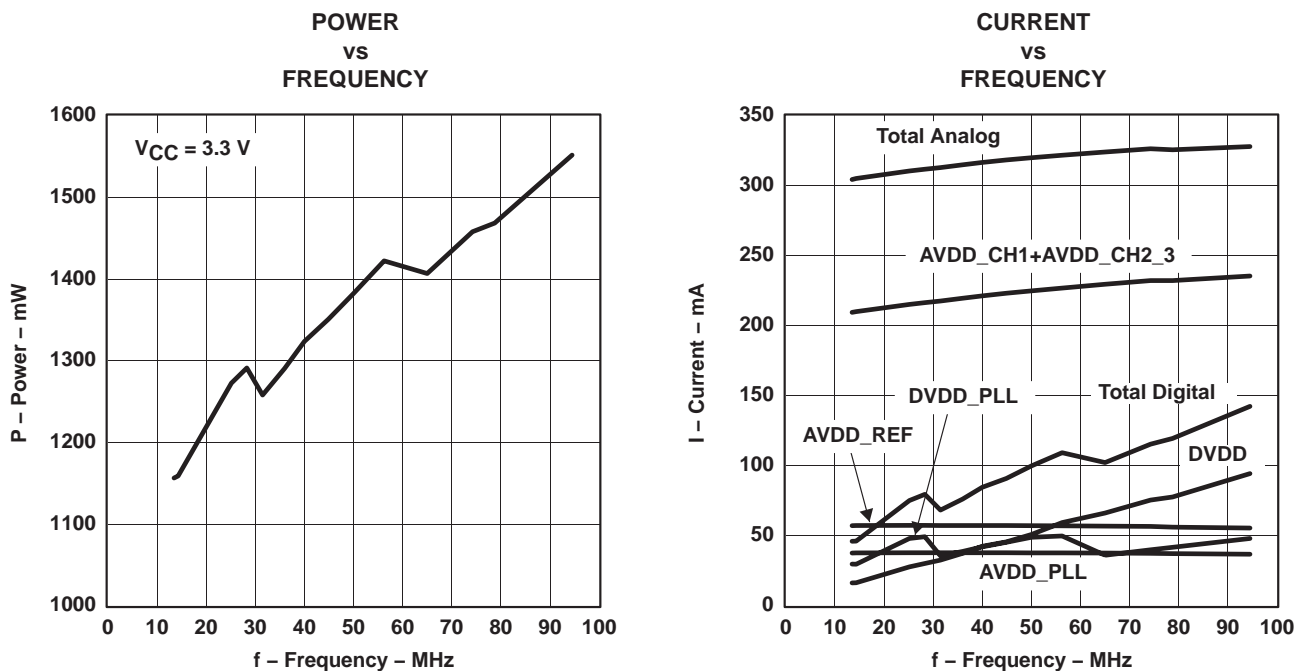


Figure 5-2. Power Consumption

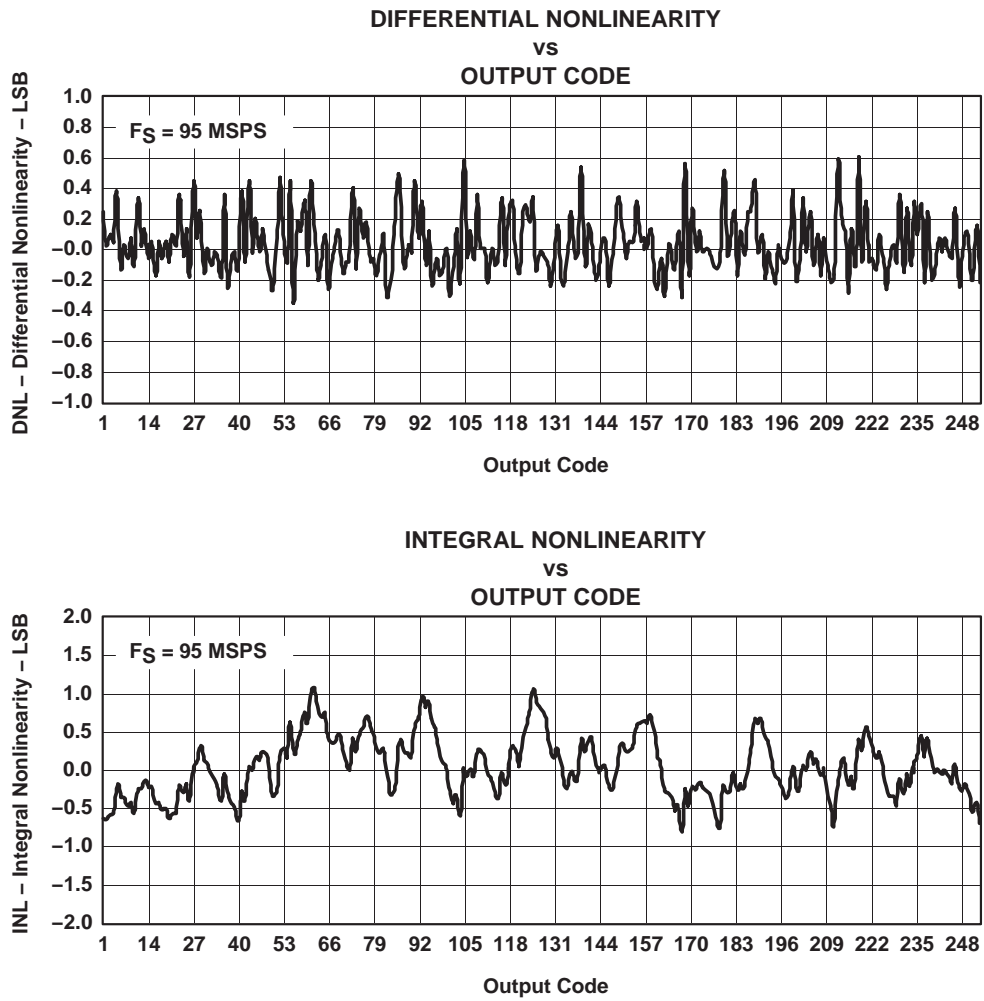


Figure 5–3. Linearity of AGY Channel at 95 MSPS (external clock)

6 Application Information

6.1 Designing With PowerPAD™

The THS8083A95 is housed in a high-performance, thermally enhanced, 100-pin PowerPAD package (TI package designator: 100PZP). Use of the PowerPAD package does not require any special considerations except to note that the PowerPAD, which is an exposed die pad on the bottom of the device, is a metallic thermal and electrical conductor. Therefore, if not implementing the PowerPAD PCB features, the use of solder masks (or other assembly techniques) may be required to prevent any inadvertent shorting by the exposed PowerPAD of connection etches or vias under the package. The recommended option, however, is not to run any etches or signal vias under the device, but to have only a grounded thermal land as explained below. Although the actual size of the exposed die pad may vary, the minimum size required for the keepout area of the 100-pin PZP PowerPAD package is 5 mm × 5 mm.

It is recommended that there be a thermal land, which is an area of solder-tinned-copper, underneath the PowerPAD package. The thermal land varies in size, depending on the PowerPAD package being used, the PCB construction, and the amount of heat that needs to be removed. In addition, the thermal land may or may not contain numerous thermal vias, depending on PCB construction.

More information on this package and other requirements for using thermal lands and thermal vias are detailed in the TI application note *PowerPAD Thermally Enhanced Package Application Report*, TI literature number SLMA002, available via the TI Web pages beginning at URL: <http://www.ti.com>

For the THS8083A95, this thermal land should be grounded to the low impedance ground plane of the device. This improves thermal performance and the electrical grounding of the device. It is also recommended that the device ground terminal landing pads be connected directly to the grounded thermal land. The land size should be as large as possible without shorting device signal terminals. The thermal land may be soldered to the exposed PowerPAD using standard reflow soldering techniques.

While the thermal land may be electrically floated and configured to remove heat to an external heat sink, it is recommended that the thermal land be connected to the low impedance ground plane of the device.

Table 6-1 lists a comparison between the thermal resistances of the PowerPAD package (100PZP) used for this device and a regular 100-pin TQFP package.

Table 6–1. Junction-Ambient and Junction-Case Thermal Resistances

100 PZP PowerPAD™ vs 100 PIN REGULAR TQFP	AIRFLOW IN lfm			
	0	150	250	500
θ_{JA} (°C/W) 100 PZP	17.3	11.8	10.4	9.0
θ_{JC} (°C/W) 100 PZP	0.12			
θ_{JA} (°C/W) 100 pin regular	49			
θ_{JC} (°C/W) 100 pin regular	3			

PowerPAD is a trademark of Texas Instruments.



Distributor of Texas Instruments: Excellent Integrated System Limited

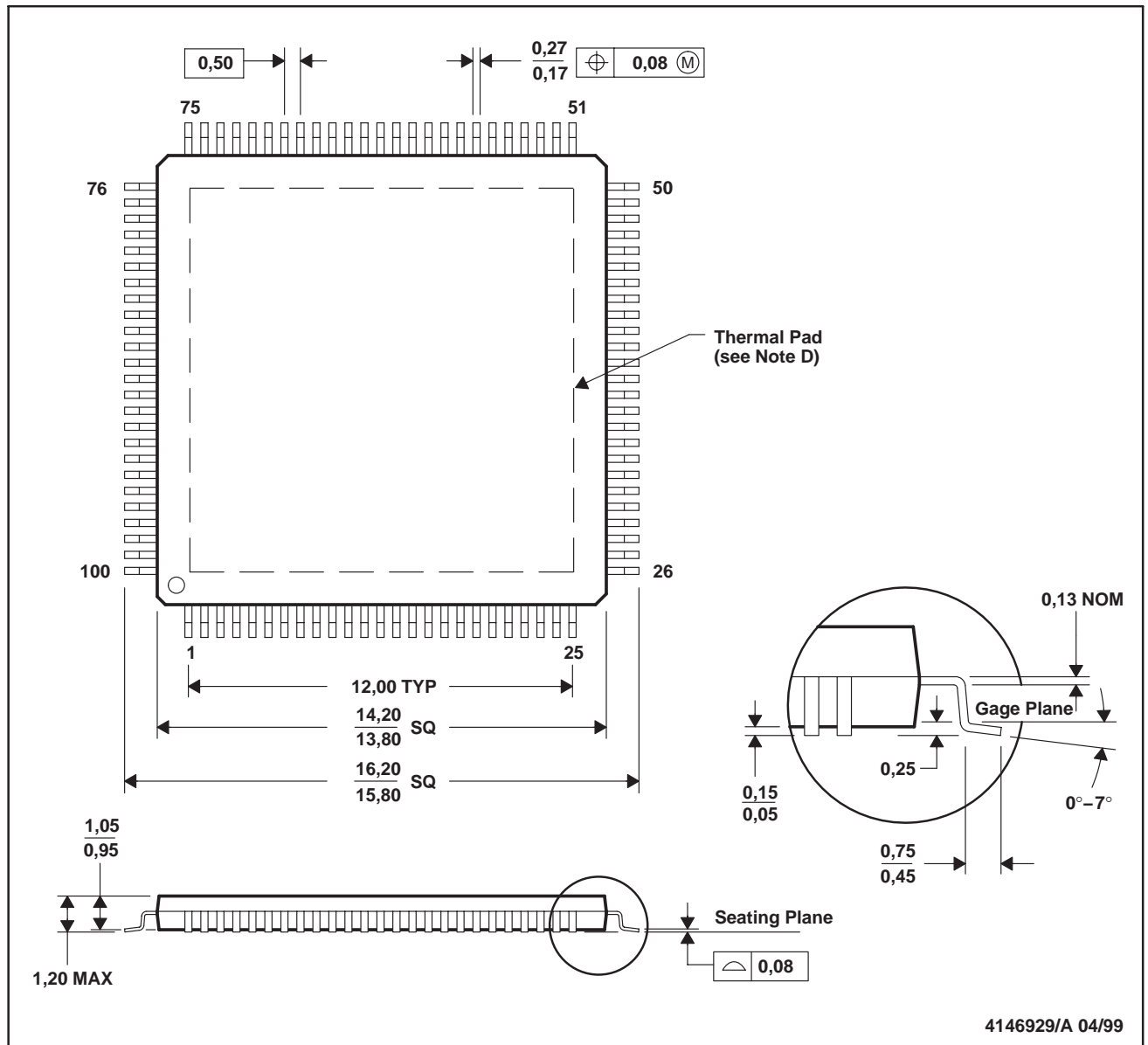
Datasheet of THS8083A95PZP - IC VID/GRAPHIC DIGITIZER 100-HTQFP

Contact us: sales@integrated-circuit.com Website: www.integrated-circuit.com

7 Mechanical Data

PZP (S-PQFP-G100)

PowerPAD™ PLASTIC QUAD FLATPACK



- NOTES:
- A. All linear dimensions are in millimeters.
 - B. This drawing is subject to change without notice.
 - C. Body dimensions do not include mold flash or protrusion.
 - D. The package thermal performance may be enhanced by bonding the thermal pad to an external thermal plane. This pad is electrically and thermally connected to the backside of the die and possibly selected leads.
 - E. Falls within JEDEC MS-026

PowerPAD is a trademark of Texas Instruments.



Distributor of Texas Instruments: Excellent Integrated System Limited

Datasheet of THS8083A95PZP - IC VID/GRAPHIC DIGITIZER 100-HTQFP

Contact us: sales@integrated-circuit.com Website: www.integrated-circuit.com

Appendix A

PLL Formulas and Register Settings

If:

F(XTL) = frequency of external crystal or master clock connected to XTL1 input of THS8083A95

F(VCO) = frequency of THS8083A95–internal VCO

F(DTO) = frequency of THS8083A95–internal DTO

F(DTOCLK) = frequency of externally available DTO clock output

F(HS) = frequency of HS input

CLKDIV = clock output divider setting

VCODIV = feedback divider in THS8083A95–internal analog PLL loop

TERMCNT = feedback divider in THS8083A95–internal digital PLL loop

DTO_INC = DTO increment (when NOM_INC is programmed, DTO_INC is initialized to NOM_INC)

Then:

$F(VCO) = F(XTL) \times VCODIV$

$F(DTO) = 32 \times F(VCO) / DTO_INC$

$F(DTOCLK) = F(DTO) / CLKDIV$

And, if PLL is locked:

$F(DTOCLK) = TERMCNT \times F(HS)$

Summarizing:

$DTO_INC = [32 \times F(XTL) \times VCODIV] / [F(DTOCLK) \times CLKDIV]$

The formats of DTO_INC and NOM_INC:

Both are 33-bit values consisting of a 6-bit integer and a 27-bit fractional part. So, in hexadecimal notation, the value is between 00.000000hex and 3F.7FFFFFFFhex. The decimal value of the increment is: <integer part>.<fractional part interpreted as integer value> $\times 2^{(-27)}$. This means, to arrive at the decimal value of the increment:

1. Interpret the 6 MSBs as an integer value
2. Interpret the 27 LSBs expressed as a decimal integer value and multiply this by $2^{(-27)}$ to arrive at a fractional value
3. Add 1 and 2.

Additional restrictions:

- NOM_INC must be within the range [16,32]. During an unlocked condition of the PLL (e.g., during video format changes), the user needs to take care that the instantaneous DTO increment does not go outside this valid range. This can be achieved by monitoring the SYNC_DETECT register bit (for no video input) and the LOCK pin (for unlock) and disabling the PFD (DISABLE_PFD register bit) when no video input or unlock is detected. This will keep the DTO operating at the nominal frequency. This update must be done within a few PFD updates (i.e., within a few video line periods) to avoid the DTO from drifting outside its valid range. When drifting outside this range, the DTO output might become unstable or absent. Since the I²C interface requires a valid DTO clock, I²C communication errors will occur (no I²C ACK) when a stable DTO clock is lost. When this happens, a hardware reset (/RESET pin) will be needed to recover.
- CLKDIV must be chosen for different output clock frequency ranges as shown in register map description for SEL_CLK.

Examples:

1. For generating the XGA@75Hz pixel clock of 78.75 MHz, with F(XTL) = 14.381818 MHz and VCODIV=8:

$$NOM_INC = [32 \times 14.381818 \times 8] / [78.75 \times 2] = 23.272724\dots$$

Since 23d = 17h and $INT(0.272724\dots \times 2^{27}) = 36604438d = 22E8A16$ hex, this can be written as 0x17.22E8A16 or as a contiguous 33 bit number: 010111010001011101000101000010110 = 0BA2E8A16 hex, i.e., the default setting for NOM_INC (see register map).

To achieve lock with an incoming HS, TERMCNT is programmed with 1312 (i.e., the total number of pixels per line in this mode).

Below are the settings for popular video and graphics modes.

VESA MODES

Mode #1: 640x350 at 85 Hz → fpix = 31.5 MHz, N = 832

REGISTER NAME	VALUE (DEC)	VALUE (HEX)	REGISTER VALUE (HEX)
TERM_CNT_0	832	340	40
TERM_CNT_1			03
NOM_INC_0	29.090905	1d.0ba2c9c	9c
NOM_INC_1			2c
NOM_INC_2			ba
NOM_INC_3			e8
NOM_INC_4			0
VCO_DIV	8	8	3
SEL_CLK	4	4	2

Mode #2: 640x400 at 85 Hz → fpix = 31.5 MHz, N = 832 (same settings as 640x350 at 85 Hz)

Mode #3: 720x400 at 85 Hz → fpix = 35.5 MHz, N = 936

REGISTER NAME	VALUE (DEC)	VALUE (HEX)	REGISTER VALUE (HEX)
TERM_CNT_0	936	3a8	a8
TERM_CNT_1			03
NOM_INC_0	25.813057	19.68123fa	fa
NOM_INC_1			23
NOM_INC_2			81
NOM_INC_3			ce
NOM_INC_4			0
VCO_DIV	8	8	03
SEL_CLK	4	4	02

Mode #4: 640x480 at 59.94 Hz → fpix = 25.175 MHz, N = 800

REGISTER NAME	VALUE (DEC)	VALUE (HEX)	REGISTER VALUE (HEX)
TERM_CNT_0	800	320	20
TERM_CNT_1			03
NOM_INC_0	18.1998713	12.1995620	20
NOM_INC_1			56
NOM_INC_2			99
NOM_INC_3			91
NOM_INC_4			0
VCO_DIV	8	8	03
SEL_CLK	8	8	03

Mode #5: 640x480 at 72 Hz → fpix = 31.5 MHz, N = 832 (same settings as 640x350 @ 85 Hz)

Mode #6: 640x480 at 75 Hz → fpix = 31.5 MHz, N = 840

REGISTER NAME	VALUE (DEC)	VALUE (HEX)	REGISTER VALUE (HEX)
TERM_CNT_0	840	348	48
TERM_CNT_1			03
NOM_INC_0	29.090905	1d.0ba2c9c	9c
NOM_INC_1			2c
NOM_INC_2			ba
NOM_INC_3			e8
NOM_INC_4			0
VCO_DIV	8	8	03
SEL_CLK	4	4	02

Mode #7: 640x480 at 85 Hz → fpix = 36.0 MHz, N = 832

REGISTER NAME	VALUE (DEC)	VALUE (HEX)	REGISTER VALUE (HEX)
TERM_CNT_0	832	340	40
TERM_CNT_1			03
NOM_INC_0	25.454542	19.3a2e708	08
NOM_INC_1			e7
NOM_INC_2			a2
NOM_INC_3			cb
NOM_INC_4			0
VCO_DIV	8	8	03
SEL_CLK	4	4	02

Mode #8: 800x600 at 56.25 Hz → fpix = 36.0 MHz, N = 1024

REGISTER NAME	VALUE (DEC)	VALUE (HEX)	REGISTER VALUE (HEX)
TERM_CNT_0	1024	400	00
TERM_CNT_1			04
NOM_INC_0	25.454542	19.3a2e708	08
NOM_INC_1			e7
NOM_INC_2			a2
NOM_INC_3			cb
NOM_INC_4			0
VCO_DIV	8	8	03
SEL_CLK	4	4	02

Mode #9: 800x600 at 60 Hz → fpix = 40.0 MHz, N = 1056

REGISTER NAME	VALUE (DEC)	VALUE (HEX)	REGISTER VALUE (HEX)
TERM_CNT_0	1056	420	20
TERM_CNT_1			04
NOM_INC_0	22.909088	16.745cfee	ee
NOM_INC_1			cf
NOM_INC_2			45
NOM_INC_3			b7
NOM_INC_4			0
VCO_DIV	8	8	03
SEL_CLK	4	4	02

Mode #10: 800x600 at 72 Hz → fpix = 50.0 MHz, N = 1040

REGISTER NAME	VALUE (DEC)	VALUE (HEX)	REGISTER VALUE (HE10X)
TERM_CNT_0	1040	410	10
TERM_CNT_1			04
NOM_INC_0	18.327270	12.29e3ff2	f2
NOM_INC_1			3f
NOM_INC_2			9e
NOM_INC_3			92
NOM_INC_4			0
VCO_DIV	8	8	03
SEL_CLK	4	4	02

Mode #11: 800x600 at 75 Hz → fpix = 49.5 MHz, N = 1056

REGISTER NAME	VALUE (DEC)	VALUE (HEX)	REGISTER VALUE (HEX)
TERM_CNT_0	1056	420	20
TERM_CNT_1			04
NOM_INC_0	18.512394	12.4196235	35
NOM_INC_1			62
NOM_INC_2			19
NOM_INC_3			94
NOM_INC_4			0
VCO_DIV	8	8	03
SEL_CLK	4	4	02

Mode #12: 800x600 at 85 Hz → fpix = 56.25 MHz, N=1048

REGISTER NAME	VALUE (DEC)	VALUE (HEX)	REGISTER VALUE (HEX)
TERM_CNT_0	1048	418	18
TERM_CNT_1			04
NOM_INC_0	16.290907	10.253c710	10
NOM_INC_1			c7
NOM_INC_2			53
NOM_INC_3			82
NOM_INC_4			0
VCO_DIV	8	8	03
SEL_CLK	4	4	02

Mode #13: 1024x768 at 43.4 Hz → fpix = 44.9 MHz, N = 1264

REGISTER NAME	VALUE (DEC)	VALUE (HEX)	REGISTER VALUE (HEX)
TERM_CNT_0	1264	4f0	f0
TERM_CNT_1			04
NOM_INC_0	20.408987	14.3459b05	05
NOM_INC_1			9b
NOM_INC_2			45
NOM_INC_3			a3
NOM_INC_4			0
VCO_DIV	8	8	03
SEL_CLK	4	4	02

Mode #14: 1024x768 at 60 Hz → fpix = 65.0 MHz, N = 1344

REGISTER NAME	VALUE (DEC)	VALUE (HEX)	REGISTER VALUE (HEX)
TERM_CNT_0	1344	540	40
TERM_CNT_1			05
NOM_INC_0	28.195801	1c.190ffea	ea
NOM_INC_1			ff
NOM_INC_2			90
NOM_INC_3			e1
NOM_INC_4			0
VCO_DIV	8	8	03
SEL_CLK	2	2	01

Mode #15: 1024x768 at 70 Hz → fpix = 75.0 MHz, N = 1328

REGISTER NAME	VALUE (DEC)	VALUE (HEX)	REGISTER VALUE (HEX)
TERM_CNT_0	1328	530	30
TERM_CNT_1			05
NOM_INC_0	24.436361	18.37daa97	97
NOM_INC_1			aa
NOM_INC_2			7d
NOM_INC_3			c3
NOM_INC_4			0
VCO_DIV	8	8	03
SEL_CLK	2	2	01

Mode #16: 1024x768 at 75 Hz → fpix = 78.75 MHz, N = 1312

REGISTER NAME	VALUE (DEC)	VALUE (HEX)	REGISTER VALUE (HEX)
TERM_CNT_0	1312	520	20
TERM_CNT_1			05
NOM_INC_0	23.272724	17.22e8a16	16
NOM_INC_1			8a
NOM_INC_2			2e
NOM_INC_3			ba
NOM_INC_4			0
VCO_DIV	8	8	03
SEL_CLK	2	2	01

Mode #17: 1024x768 at 85 Hz → fpix = 94.5 MHz, N = 1376

REGISTER NAME	VALUE (DEC)	VALUE (HEX)	REGISTER VALUE (HEX)
TERM_CNT_0	1376	560	60
TERM_CNT_1			05
NOM_INC_0	19.393937	13.326c868	68
NOM_INC_1			c8
NOM_INC_2			26
NOM_INC_3			9b
NOM_INC_4			0
VCO_DIV	8	8	03
SEL_CLK	2	2	01

DTV MODES

1080I → fpix = 74.25 MHz, N = 2200

REGISTER NAME	VALUE (DEC)	VALUE (HEX)	REGISTER VALUE (HEX)
TERM_CNT_0	2200	898	98
TERM_CNT_1			08
NOM_INC_0	24.683192	18.5772d9b	9b
NOM_INC_1			2d
NOM_INC_2			77
NOM_INC_3			c5
NOM_INC_4			0
VCO_DIV	8	8	03
SEL_CLK	2	2	01

720P → fpix = 74.25 MHz, N = 1650

REGISTER NAME	VALUE (DEC)	VALUE (HEX)	REGISTER VALUE (HEX)
TERM_CNT_0	1650	672	72
TERM_CNT_1			06
NOM_INC_0	24.683192	18.5772d9b	9b
NOM_INC_1			2d
NOM_INC_2			77
NOM_INC_3			c5
NOM_INC_4			0
VCO_DIV	8	8	03
SEL_CLK	2	2	01

13.5 MHz, 864

REGISTER NAME	VALUE (DEC)	VALUE (HEX)	REGISTER VALUE (HEX)
TERM_CNT_0	864	360	60
TERM_CNT_1			03
NOM_INC_0	29.696966	1d.59362df	df
NOM_INC_1			62
NOM_INC_2			93
NOM_INC_3			ed
NOM_INC_4			0
VCO_DIV	7	7	02
SEL_CLK	8	8	03

13.5 MHz, N = 858

REGISTER NAME	VALUE (DEC)	VALUE (HEX)	REGISTER VALUE (HEX)
TERM_CNT_0	858	35a	5a
TERM_CNT_1			03
NOM_INC_0	29.696966	1d.59362df	df
NOM_INC_1			62
NOM_INC_2			93
NOM_INC_3			ed
NOM_INC_4			0
VCO_DIV	7	7	02
SEL_CLK	8	8	03

14.31818 MHz, N = 858

REGISTER NAME	VALUE (DEC)	VALUE (HEX)	REGISTER VALUE (HEX)
TERM_CNT_0	858	35a	5a
TERM_CNT_1			03
NOM_INC_0	28.000000	1c.0000000	00
NOM_INC_1			00
NOM_INC_2			00
NOM_INC_3			E0
NOM_INC_4			0
VCO_DIV	7	7	02
SEL_CLK	8	8	03



PACKAGING INFORMATION

Orderable Device	Status ⁽¹⁾	Package Type	Package Drawing	Pins	Package Qty	Eco Plan ⁽²⁾	Lead/Ball Finish	MSL Peak Temp ⁽³⁾	Samples (Requires Login)
THS8083A95PZP	OBSOLETE	HTQFP	PZP	100		TBD	Call TI	Call TI	Replaced by THS8083APZP

⁽¹⁾ The marketing status values are defined as follows:

ACTIVE: Product device recommended for new designs.

LIFEBUY: TI has announced that the device will be discontinued, and a lifetime-buy period is in effect.

NRND: Not recommended for new designs. Device is in production to support existing customers, but TI does not recommend using this part in a new design.

PREVIEW: Device has been announced but is not in production. Samples may or may not be available.

OBSOLETE: TI has discontinued the production of the device.

⁽²⁾ Eco Plan - The planned eco-friendly classification: Pb-Free (RoHS), Pb-Free (RoHS Exempt), or Green (RoHS & no Sb/Br) - please check <http://www.ti.com/productcontent> for the latest availability information and additional product content details.

TBD: The Pb-Free/Green conversion plan has not been defined.

Pb-Free (RoHS): TI's terms "Lead-Free" or "Pb-Free" mean semiconductor products that are compatible with the current RoHS requirements for all 6 substances, including the requirement that lead not exceed 0.1% by weight in homogeneous materials. Where designed to be soldered at high temperatures, TI Pb-Free products are suitable for use in specified lead-free processes.

Pb-Free (RoHS Exempt): This component has a RoHS exemption for either 1) lead-based flip-chip solder bumps used between the die and package, or 2) lead-based die adhesive used between the die and leadframe. The component is otherwise considered Pb-Free (RoHS compatible) as defined above.

Green (RoHS & no Sb/Br): TI defines "Green" to mean Pb-Free (RoHS compatible), and free of Bromine (Br) and Antimony (Sb) based flame retardants (Br or Sb do not exceed 0.1% by weight in homogeneous material)

⁽³⁾ MSL, Peak Temp. -- The Moisture Sensitivity Level rating according to the JEDEC industry standard classifications, and peak solder temperature.

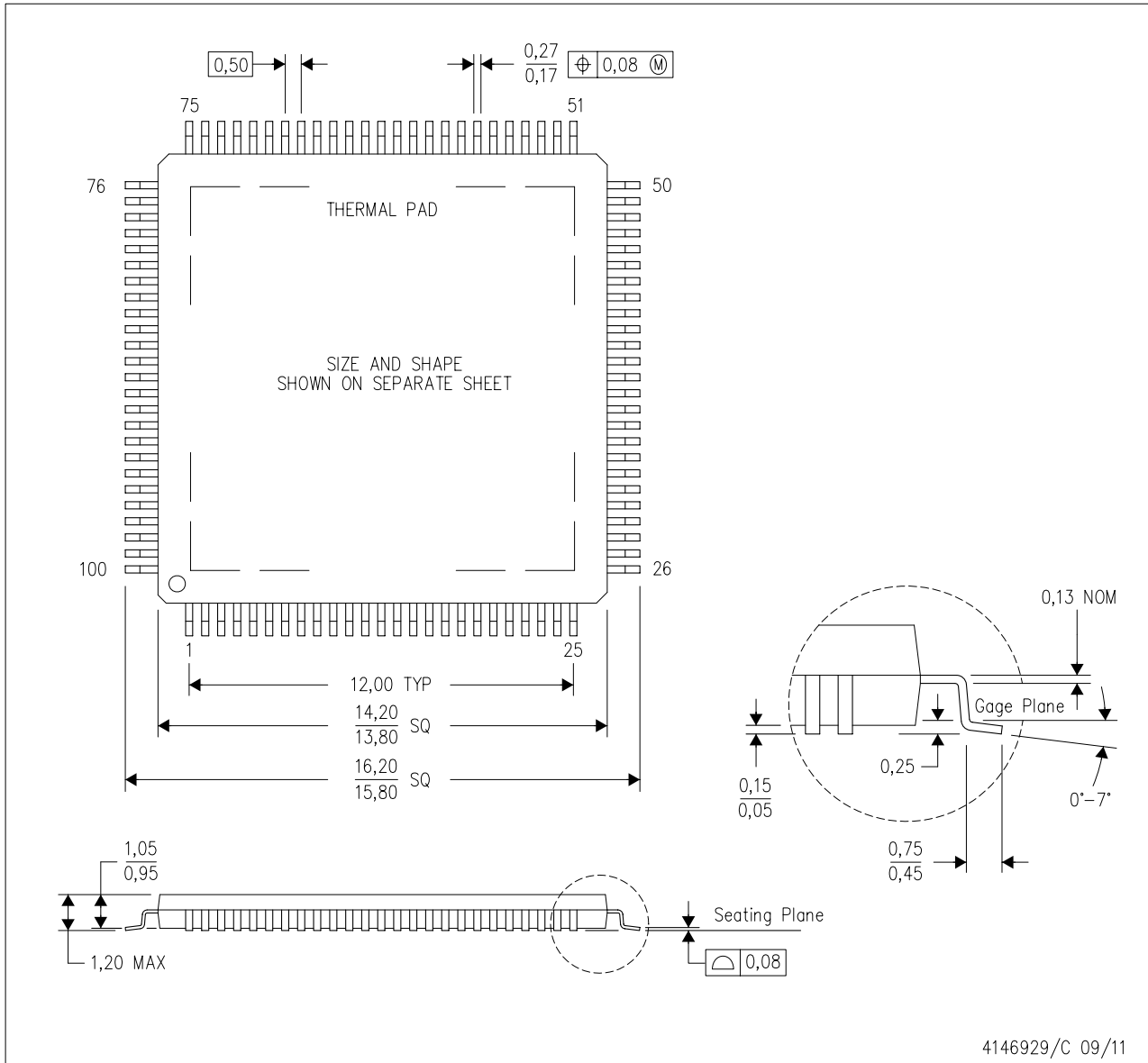
Important Information and Disclaimer: The information provided on this page represents TI's knowledge and belief as of the date that it is provided. TI bases its knowledge and belief on information provided by third parties, and makes no representation or warranty as to the accuracy of such information. Efforts are underway to better integrate information from third parties. TI has taken and continues to take reasonable steps to provide representative and accurate information but may not have conducted destructive testing or chemical analysis on incoming materials and chemicals. TI and TI suppliers consider certain information to be proprietary, and thus CAS numbers and other limited information may not be available for release.

In no event shall TI's liability arising out of such information exceed the total purchase price of the TI part(s) at issue in this document sold by TI to Customer on an annual basis.

MECHANICAL DATA

PZP (S-PQFP-G100)

PowerPAD™ PLASTIC QUAD FLATPACK



- NOTES:
- A. All linear dimensions are in millimeters.
 - B. This drawing is subject to change without notice.
 - C. Body dimensions do not include mold flash or protrusion
 - D. This package is designed to be soldered to a thermal pad on the board. Refer to Technical Brief, PowerPad Thermally Enhanced Package, Texas Instruments Literature No. SLMA002 for information regarding recommended board layout. This document is available at www.ti.com <<http://www.ti.com>>.
 - E. See the additional figure in the Product Data Sheet for details regarding the exposed thermal pad features and dimensions.
 - F. Falls within JEDEC MS-026

PowerPAD is a trademark of Texas Instruments.

IMPORTANT NOTICE

Texas Instruments Incorporated and its subsidiaries (TI) reserve the right to make corrections, modifications, enhancements, improvements, and other changes to its products and services at any time and to discontinue any product or service without notice. Customers should obtain the latest relevant information before placing orders and should verify that such information is current and complete. All products are sold subject to TI's terms and conditions of sale supplied at the time of order acknowledgment.

TI warrants performance of its hardware products to the specifications applicable at the time of sale in accordance with TI's standard warranty. Testing and other quality control techniques are used to the extent TI deems necessary to support this warranty. Except where mandated by government requirements, testing of all parameters of each product is not necessarily performed.

TI assumes no liability for applications assistance or customer product design. Customers are responsible for their products and applications using TI components. To minimize the risks associated with customer products and applications, customers should provide adequate design and operating safeguards.

TI does not warrant or represent that any license, either express or implied, is granted under any TI patent right, copyright, mask work right, or other TI intellectual property right relating to any combination, machine, or process in which TI products or services are used. Information published by TI regarding third-party products or services does not constitute a license from TI to use such products or services or a warranty or endorsement thereof. Use of such information may require a license from a third party under the patents or other intellectual property of the third party, or a license from TI under the patents or other intellectual property of TI.

Reproduction of TI information in TI data books or data sheets is permissible only if reproduction is without alteration and is accompanied by all associated warranties, conditions, limitations, and notices. Reproduction of this information with alteration is an unfair and deceptive business practice. TI is not responsible or liable for such altered documentation. Information of third parties may be subject to additional restrictions.

Resale of TI products or services with statements different from or beyond the parameters stated by TI for that product or service voids all express and any implied warranties for the associated TI product or service and is an unfair and deceptive business practice. TI is not responsible or liable for any such statements.

TI products are not authorized for use in safety-critical applications (such as life support) where a failure of the TI product would reasonably be expected to cause severe personal injury or death, unless officers of the parties have executed an agreement specifically governing such use. Buyers represent that they have all necessary expertise in the safety and regulatory ramifications of their applications, and acknowledge and agree that they are solely responsible for all legal, regulatory and safety-related requirements concerning their products and any use of TI products in such safety-critical applications, notwithstanding any applications-related information or support that may be provided by TI. Further, Buyers must fully indemnify TI and its representatives against any damages arising out of the use of TI products in such safety-critical applications.

TI products are neither designed nor intended for use in military/aerospace applications or environments unless the TI products are specifically designated by TI as military-grade or "enhanced plastic." Only products designated by TI as military-grade meet military specifications. Buyers acknowledge and agree that any such use of TI products which TI has not designated as military-grade is solely at the Buyer's risk, and that they are solely responsible for compliance with all legal and regulatory requirements in connection with such use.

TI products are neither designed nor intended for use in automotive applications or environments unless the specific TI products are designated by TI as compliant with ISO/TS 16949 requirements. Buyers acknowledge and agree that, if they use any non-designated products in automotive applications, TI will not be responsible for any failure to meet such requirements.

Following are URLs where you can obtain information on other Texas Instruments products and application solutions:

Products

Audio	www.ti.com/audio
Amplifiers	amplifier.ti.com
Data Converters	dataconverter.ti.com
DLP® Products	www.dlp.com
DSP	dsp.ti.com
Clocks and Timers	www.ti.com/clocks
Interface	interface.ti.com
Logic	logic.ti.com
Power Mgmt	power.ti.com
Microcontrollers	microcontroller.ti.com
RFID	www.ti-rfid.com
OMAP Mobile Processors	www.ti.com/omap
Wireless Connectivity	www.ti.com/wirelessconnectivity

Applications

Communications and Telecom	www.ti.com/communications
Computers and Peripherals	www.ti.com/computers
Consumer Electronics	www.ti.com/consumer-apps
Energy and Lighting	www.ti.com/energy
Industrial	www.ti.com/industrial
Medical	www.ti.com/medical
Security	www.ti.com/security
Space, Avionics and Defense	www.ti.com/space-avionics-defense
Transportation and Automotive	www.ti.com/automotive
Video and Imaging	www.ti.com/video

TI E2E Community Home Page

e2e.ti.com

Mailing Address: Texas Instruments, Post Office Box 655303, Dallas, Texas 75265
 Copyright © 2011, Texas Instruments Incorporated