

Excellent Integrated System Limited

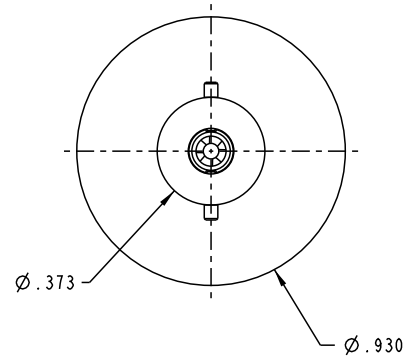
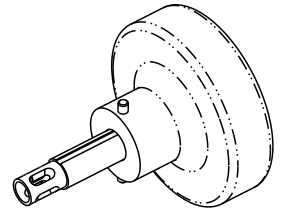
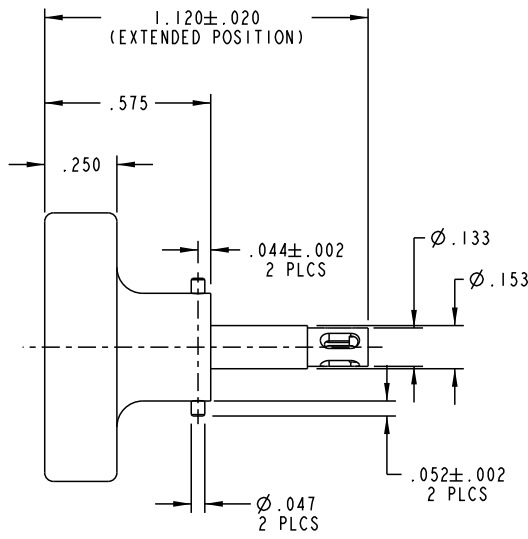
Stocking Distributor

Click to view price, real time Inventory, Delivery & Lifecycle Information:

[Cinch Connectivity Solutions](#)
[010-0041](#)

For any questions, you can email us directly:
sales@integrated-circuit.com

REVISIONS				
REV	DESCRIPTIONS	DATE	APPROVED	
N	ECO 52674	11/3/10	T. KOHLER	



1. FINISH: BODY: TFS-1A (NICKEL)
LOCATOR: SILICONE PROTECTANT
LOCK PINS: PASSIVATE

NOTES: UNLESS OTHERWISE SPECIFIED.

INTERPRET DRAWING PER MIL-STD-100. DIMENSIONS ARE IN INCHES AND INCLUDE FINISH THICKNESS UNLESS OTHERWISE SPECIFIED.

DRN	C. WALLACE	11/3/10
CHK	T. KOHLER	11/4/10
QUALITY		
MANUF		
APPROVED		

TOL: UNLESS SPECIFIED.
.XX ± .02
.XXX ± .010
ANGLE ± 1°

MATERIAL:
FINISH:



Cinch Connectivity Solutions
299 Johnson Ave. Ste. 100
Waseca, MN 56093
1-800-247-8256

TITLE: POSITIONER, CONTACT, 150C, 150AC SMALL BODY AND AC SERIES

N/A	BLANK LENGTH (REF. ONLY)	N/A	SURFACE AREA	PROJ. FILE NO. 010-0041	DO NOT SCALE DWG	SCALE 2/1	DATE 9/14/84	SHEET 1 OF 3

SIZE	CAGE CODE	DRAWING NO.	REV.
A	14949	010-0041	N