

Excellent Integrated System Limited

Stocking Distributor

Click to view price, real time Inventory, Delivery & Lifecycle Information:

[Cinch Connectivity Solutions](#)
[010-0045](#)

For any questions, you can email us directly:

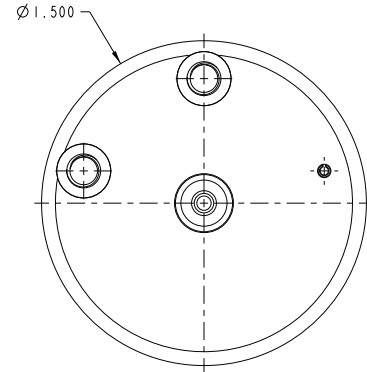
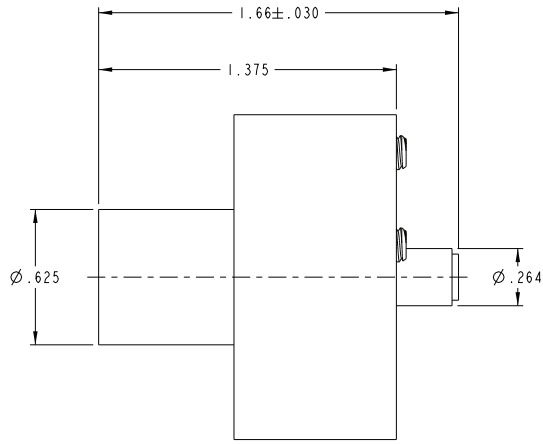
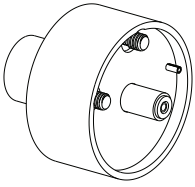
sales@integrated-circuit.com

2

3

4

ZONE	REV	ECO	DESCRIPTION	APPROVER	DATE
	B	16788		L. MEIER	11/17/08
	C	53912		T. KOHLER	12/7/11



1. FINISH: BODY: CLEAR ANODIZE
LOCATOR: SILICONE PROTECTANT

	MODEL NO.				
	CAGE CODE 14949		TITLE POSITIONER, SOCKET CONTACT, 70 SERIER FULL CRIMP		
<small>This PROPRIETARY Document is property of Cinch Connectivity Solutions. It is Loan/Confidentiality Subject to the restrictions, and issued with the clear understanding that it is not to be retransmitted, copied, stored or copied without permission and is returnable upon demand.</small>	UNLESS OTHERWISE SPECIFIED	DRAWN BY	DATE	DRAWING NO.	MATERIAL
	DIMS: INCH .XX ± .02 .XXX ± .010 ANGLE ± 1°	C. WALLACE	1/30/12	010-0045	
	APPROVED BY	DATE	SIZE	DO NOT SCALE DRAWING	SCALE 3:1
	T. KOHLER	1/31/12	C		SHEET 1 OF 3

1

2

3

4