

Excellent Integrated System Limited

Stocking Distributor

Click to view price, real time Inventory, Delivery & Lifecycle Information:

[Cinch Connectivity Solutions](#)

[CBBJR39A](#)

For any questions, you can email us directly:

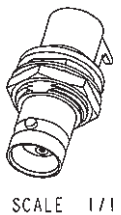
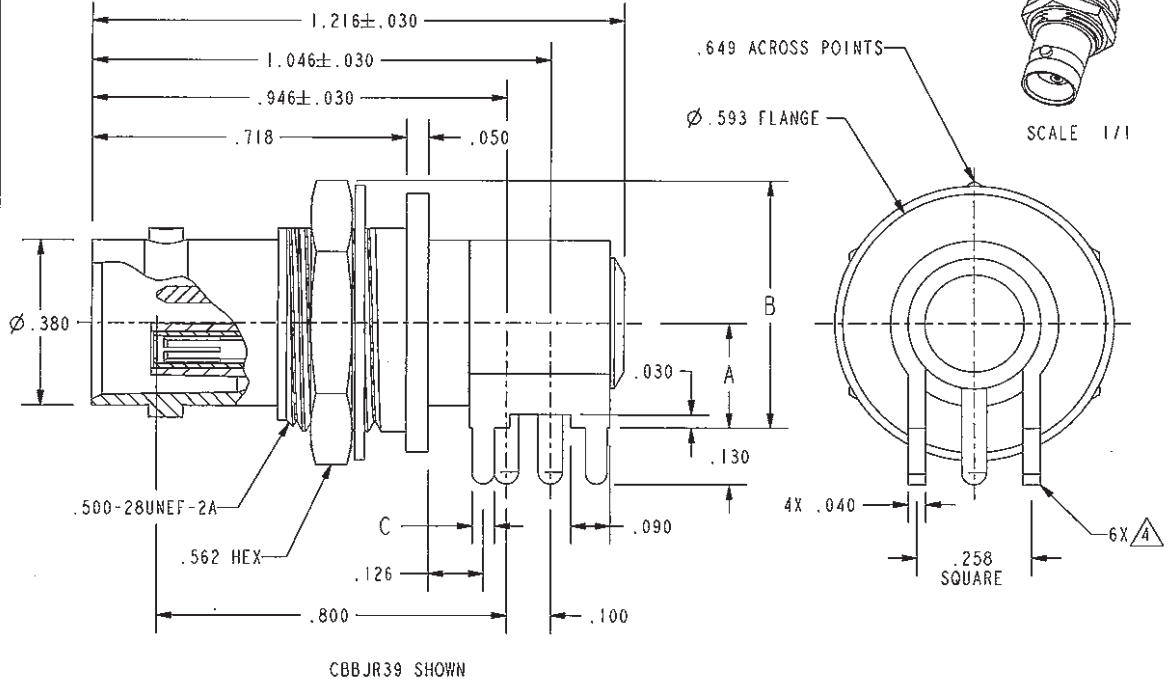
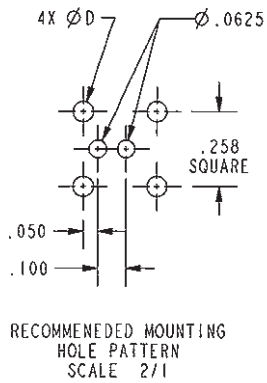
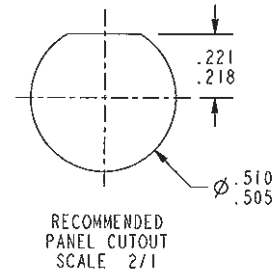
sales@integrated-circuit.com

DATA CONTAINED IN THIS DOCUMENT IS PROPRIETARY TO TROMPETER ELECTRONICS INC AND SHALL NOT BE DISCLOSED, COPIED OR USED FOR PROCUREMENT OR MANUFACTURE WITHOUT EXPRESS WRITTEN PERMISSION.

REVISIONS			
REV	DESCRIPTIONS	DATE	APPROVED
D	REVISED PER ECO 14776	10-29-02	[Signature]

MODEL	A	B ± .030	C	Ø D ± .002
CBBJR39	.24	.565	.050	.075
CBBJR39A	.34	.665	.058	.082

RED INDICATES ORIGINAL



△ TIN .0015 MAXIMUM THICKNESS WITH SN63 OR EQUIVALENT SOLDER PER QQ-S-571 TO WITHIN .060 MAXIMUM OF SHOULDER (ON SHROUD)

- FINISH: TFS-1A (NICKEL)
- MAX PANEL THICKNESS: .125
- CONCENTRIC TWINAX TWO-PIN RIGHT ANGLE CIRCUIT BOARD AND BULKHEAD MOUNT RECEPTACLE

NOTES: UNLESS OTHERWISE SPECIFIED.

INTERPRET DRAWING PER MIL-STD-100. DIMENSIONS ARE IN INCHES AND INCLUDE FINISH THICKNESS UNLESS OTHERWISE SPECIFIED.	TOL: UNLESS SPECIFIED. .XX ± .02 .XXX ± .010 ANGLE ± 1°
DRW: JCM 10-25-02	MATERIAL:
CHK: [Signature] 10-25-02	FINISH: SEE NOTE 3
QTY: 10/25/02	DATE: 10/25/02
APPROVED: [Signature] 10/25/02	PROVE FILE NO. 205-0069
NEXT ASSY	DO NOT SCALE DWG



CBBJR39/A

SIZE: A	CAGE CODE: 14949	DRAWING NO.: 205-0069	REV.: D
SCALE: 1/1	DATE: 9-27-91	SHEET: 1C	