

Excellent Integrated System Limited

Stocking Distributor

Click to view price, real time Inventory, Delivery & Lifecycle Information:

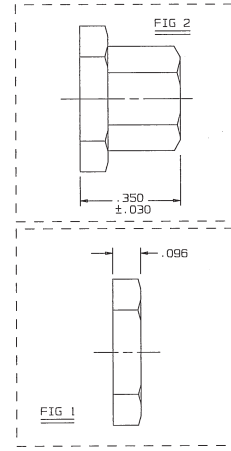
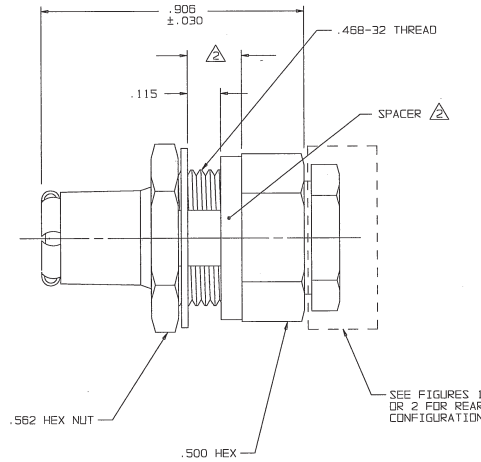
[Cinch Connectivity Solutions](#)
[PL122-5](#)

For any questions, you can email us directly:
sales@integrated-circuit.com

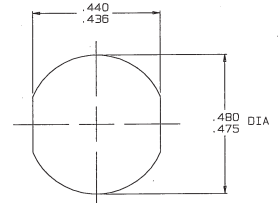
DATA CONTAINED IN THIS DOCUMENT IS PROPRIETARY TO TROMPETER ELECTRONICS, INC. AND SHALL NOT BE DISCLOSED, COPIED OR USED FOR PROMOTION OR MANUFACTURE WITHOUT EXPRESS WRITTEN PERMISSION.

REV		DESCRIPTION	DWN	APPROVED	DATE
K		REVISED PER ECO 16361	L.M.	<i>AME</i>	9/11/07

DASH NO	FIG	CABLES ACCOMMODATED	ASSEMBLY PER
-1		RG-58	TAI-101
-U1		ESSEX 621-715	
-2		RG-59	
-U2		BELDEN 8279	
-2A			
-U2A			
-2B		W.E. CO. 730A	
-U2B			
-3		RG-223	
-U3			
-3A		RG-55	
-U3A			
-4		RG-122	
-U4		BELDEN 8218	
-5		RG-174	
-U5		RG-187	
-5A		RG-196	
-U5A			
-5B		HEWLETT-PACKARD 8120-1107	
-U5B			
-21		RG-303	
-U21			
-22		RG-180	
-U22			
-34		BELDEN 8228	
-U34			
-36		MICRODOT 275-3991	
-U36		AMPEX 618-569	
-41		RG-304	
-U41		BELDEN 9248	
-44		BRAND-REX 8749	
-U44		GORE COBCC032	
-63		734A AT & T	
-U63			
-086		RG-405	TAI-130
-U086			
-141		RG-402	
-U141			

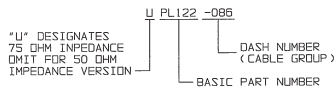


-1 SHOWN



RECOMMENDED
 PANEL CUTOUT
 SCALE: 4/1

4. EXAMPLE OF COMPLETE PART NUMBER:



3. 50 AND 70 OHM COAXIAL PUSH-ON TYPE BULKHEAD CABLE PLUG, BNC STYLE

MAXIMUM PANEL THICKNESS: .187 (REMOVE SPACER)

1. FINISH: TFS-1A (NICKEL)

RED INDICATES ORIGINAL

QTY	DESCRIPTION	PART NUMBER	ITEM
TOL. UNLESS SPECIFIED .XX ± .02 .XXX ± .010 XXXXX ANGLES	TROMPETER RF connectivity	PL122/UPL122	
DWN L.M. 4-23-07	MATERIAL	CODE IDENT 14949	DRAWING NO. 1-0431
CHG BY 62207			REV K
ENGR			
APPR 2/1 8/31/07	SCALE 4/1	DATE 8/14/74	SHEET 1C