

Excellent Integrated System Limited

Stocking Distributor

Click to view price, real time Inventory, Delivery & Lifecycle Information:

[Cinch Connectivity Solutions](#)

[UCBBJR29](#)

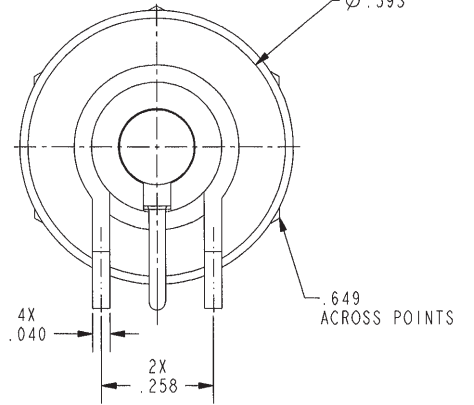
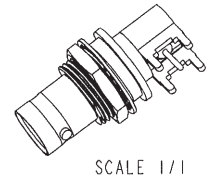
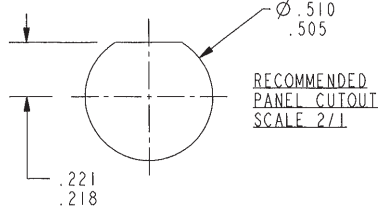
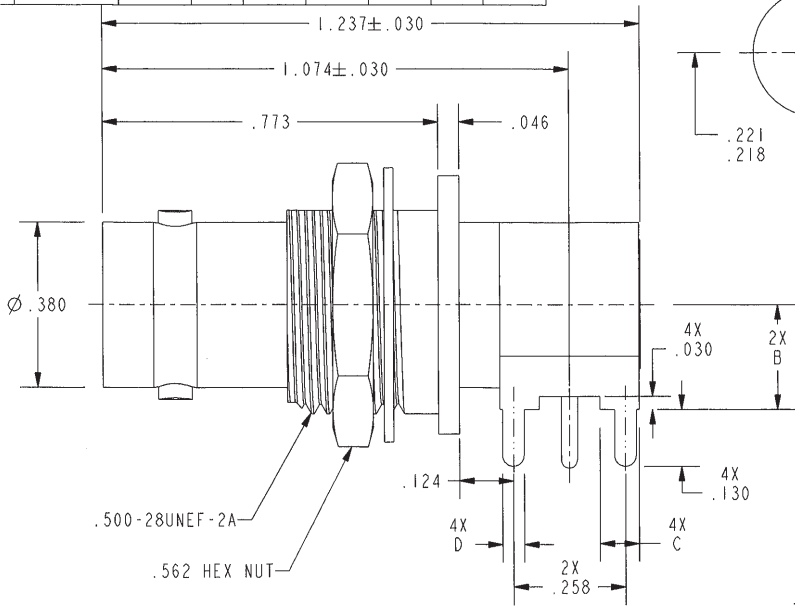
For any questions, you can email us directly:

sales@integrated-circuit.com

DASH NUMBER	MODEL NUMBER	LETTER CODE	IMPD Ω	A DIA	B DIM	C DIM	D DIM	E DIA
-1	CBBJR29		50	.046	.24	.090	.050	.0625
-2	UCBBJR29		75	.029				
-3	CBBJR29A	A	50	.046	.34	.090	.058	.070
-4	UCBBJR29A		75	.029				

DATA CONTAINED IN THIS DOCUMENT IS PROPRIETARY TO TROMPETER ELECTRONICS, INC. AND SHALL NOT BE DISCLOSED, COPIED OR USED FOR PROMOTION OR MANUFACTURE WITHOUT EXPRESS WRITTEN PERMISSION.

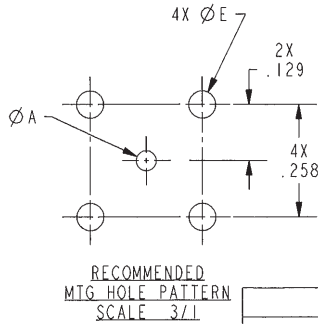
REVISIONS			DATE	APPROVED
REV	DESCRIPTIONS			
G	REVISED PER ECO 16629		7-18-08	<i>Dr Ramco</i>



- 1 SHOWN

RED INDICATES ORIGINAL

- MAXIMUM PANEL THICKNESS .179
- EXAMPLE OF COMPLETE MODEL NUMBER:
 CBBJR29 A
 BASIC MODEL NUMBER LETTER CODE NUMBER
- FINISH: TFS-1A (NICKEL)
- 50 & 75 Ω RIGHT ANGLE CIRCUIT BOARD AND BULKHEAD MOUNTING BNC RECEPTACLE



INTERPRET DRAWING PER MIL-STD-100. DIMENSIONS ARE IN INCHES AND INCLUDE FINISH THICKNESS UNLESS OTHERWISE SPECIFIED.		TOL: UNLESS SPECIFIED. .XX ± .02 .XXX ± .010 ANGLE ± 1°	
DRN W JOHNSON	5-19-08	MATERIAL:	TITLE:
CHKD M	6-23-08	FINISH:	U/CBBJR29
MANUF		SIZE	CAGE CODE
APPROVED <i>[Signature]</i>	7/17/08	DRAWING NO.	1-0052
PROJ FILE NO.	1-0052	SCALE	3/1
NEXT ASSY		DATE	8-10-99
		SHEET	1C



NOTES: UNLESS OTHERWISE SPECIFIED.