

## Excellent Integrated System Limited

Stocking Distributor

Click to view price, real time Inventory, Delivery & Lifecycle Information:

[Taoglas Limited](#)  
[CAB.W08](#)

For any questions, you can email us directly:  
[sales@integrated-circuit.com](mailto:sales@integrated-circuit.com)



Close-up of CAB.W08

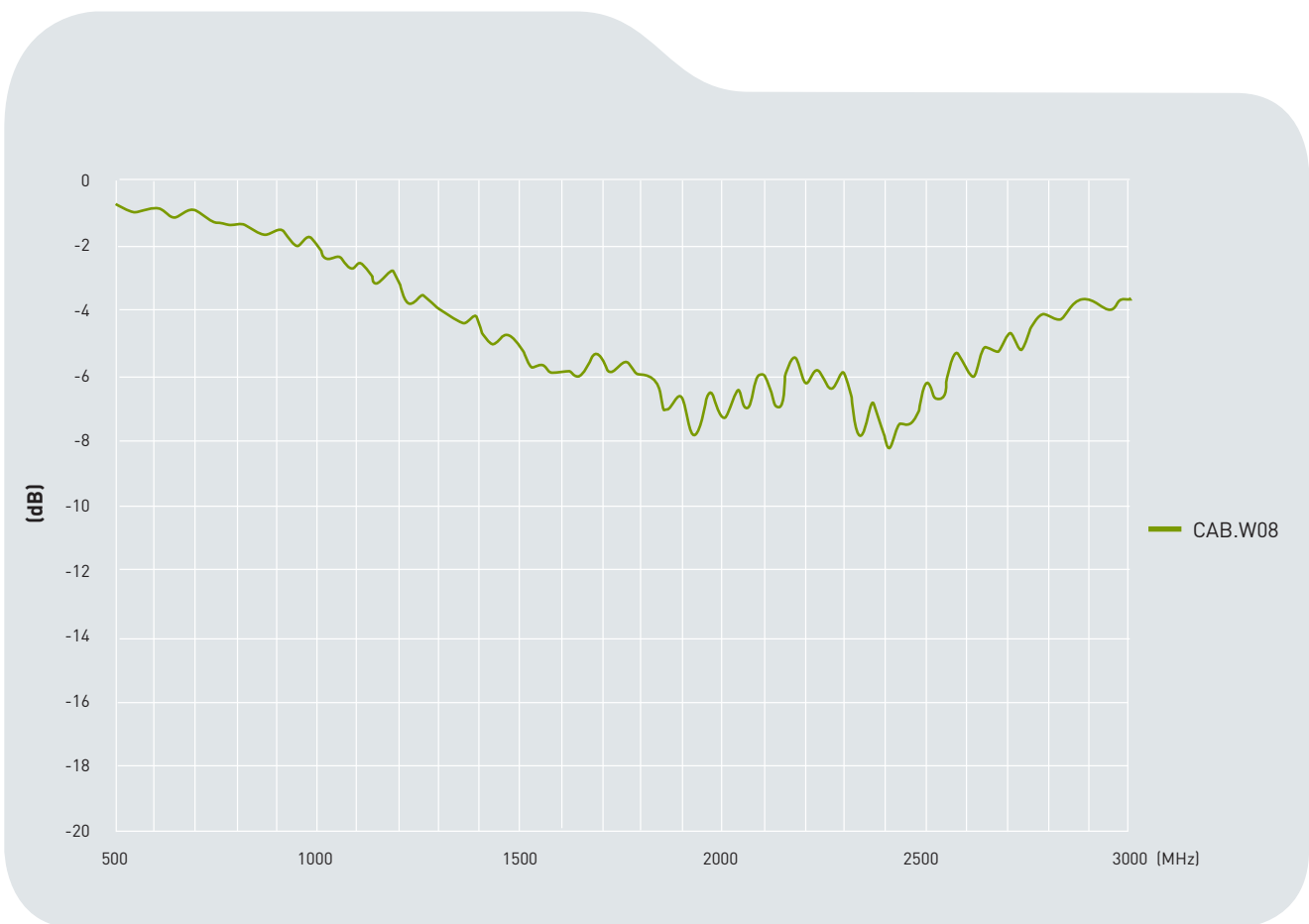
**CAB.W08**

## Specification

<b>Part No.</b>	<b>CAB.W08</b>
<b>Product Name</b>	<b>CAB.W08</b> Taoglas Cable Assembly NMO Magnet Mount - 3/4 inch Style Brass Mount type to SMA(M) Straight Plug with 3ft (915mm) RG-58 cable



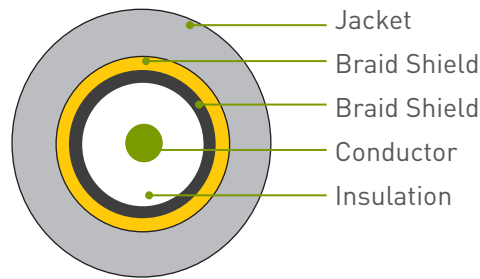
## 1. Cable Insertion Loss



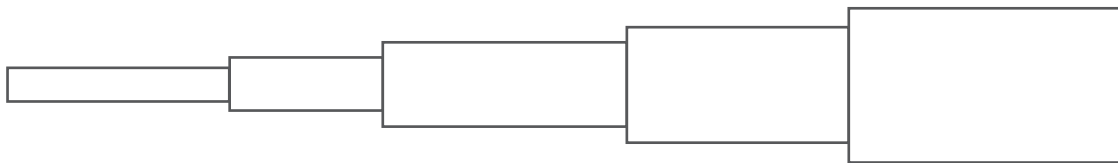


## 2. RG-58 Cable Specification

### 2.1 Drawing - Cross Section



### 2.2 Structure and Dimensions



#### Conductor

- Material - Bare Copper Wire
- Composition (1/1.02mm)
- Diameter - 1.02mm

#### Insulation

- Material - Foam Polyethylene
- Avg. Thickness - 0.95mm
- Diameter -  $2.9 \pm 0.1$ mm

#### Braid Shield

- Material - Aluminium Foil
- Construction - 0.020mm

#### Braid Shield

- Material - Tinned Copper Wire
- Structure - 16/6/0.12mm
- Coverage - 87%
- Diameter -  $3.4 \pm 0.05$ mm

#### Jacket

- Material - RoHS PVC
- Diameter -  $5.0 \pm 0.15$ mm
- Colour - Black



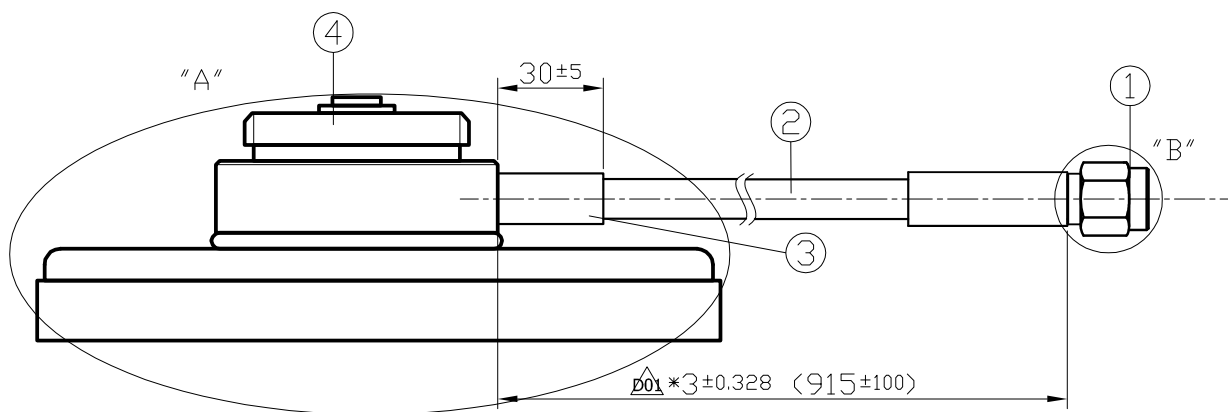
## 2.3 Electrical & Physical Specification

### Specification

<b>Insulation Resistance:</b>	1000 MΩ-Km (Min)				
<b>Capacitance</b>	83 ± 3 pF/m				
<b>Nom. Impedance</b>	53 ± 3 Ω				
<b>Attenuation</b> (dB/100ft)	200MHz	400MHz	700MHz	900MHz	1000MHz
	4.66	6.32	8.45	9.67	10.2

## 3. Technical Drawing

### 3.1 CAB.W08



	Name	Material	Finish	QTY
1	SMA(M) ST	Brass	Ni Plated	1
2	RG58 Coaxial Cable	PVC	Black	1
3	Heat Shrink Tube	PE	Black	1
4	NMO(MM)	Brass	Ni Plated	1



### 3.2 Connectors

