

Excellent Integrated System Limited

Stocking Distributor

Click to view price, real time Inventory, Delivery & Lifecycle Information:

[Taoglas Limited](#)
[CAB.W11](#)

For any questions, you can email us directly:
sales@integrated-circuit.com



Close-up of CAB.W11

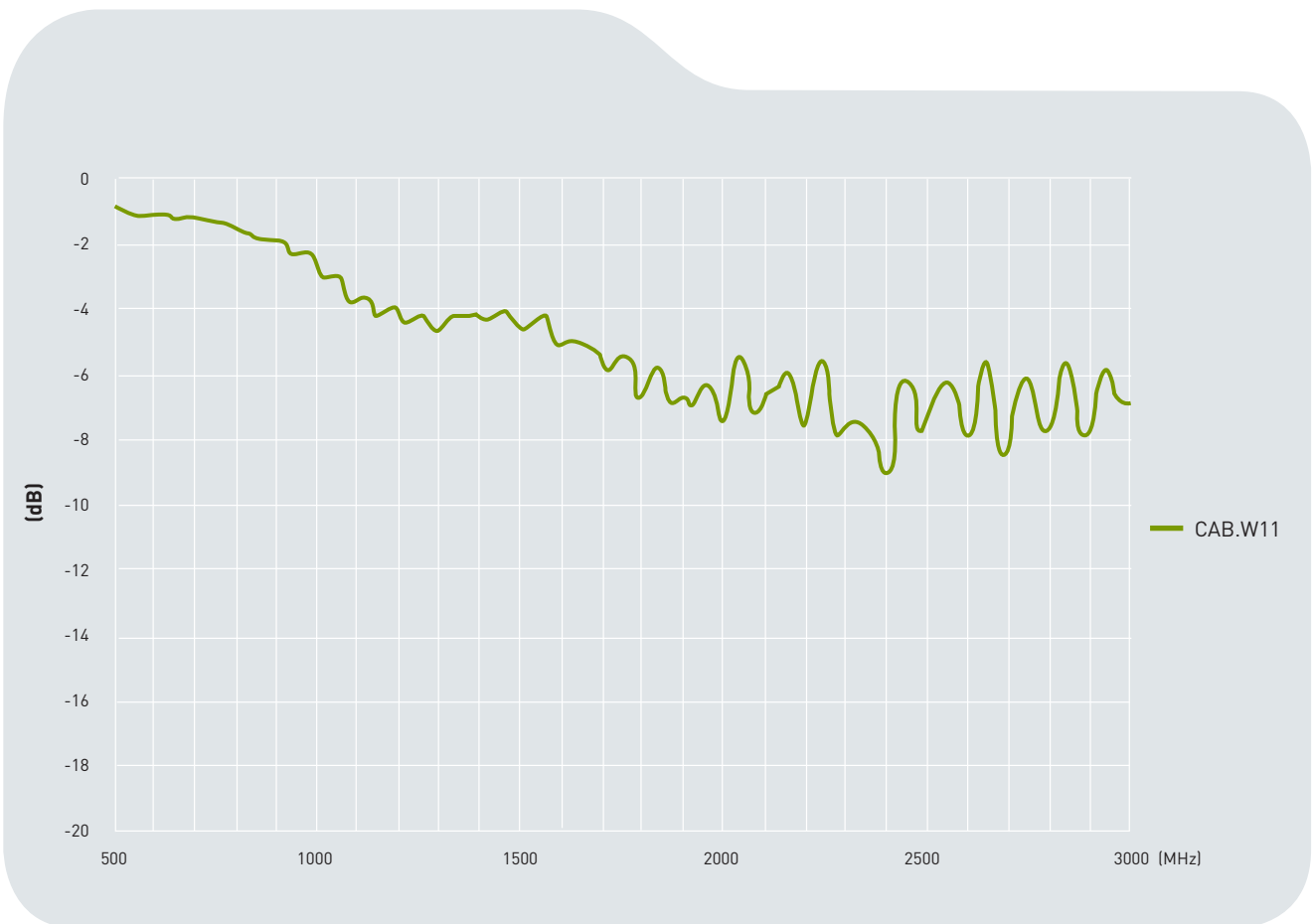
CAB.W11

Specification

Part No.	CAB.W11
Product Name	CAB.W11 Taoglas Cable Assembly NMO Magnet Mount - 3/4 inch Style Brass Mount type to FME(F) Straight Jack with 3ft (915mm) RG-58 cable



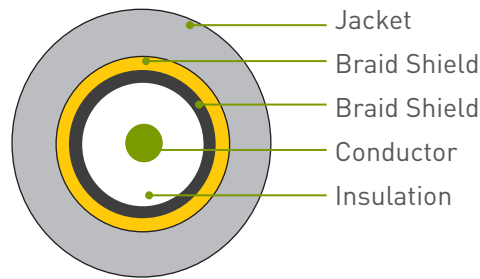
1. Cable Insertion Loss



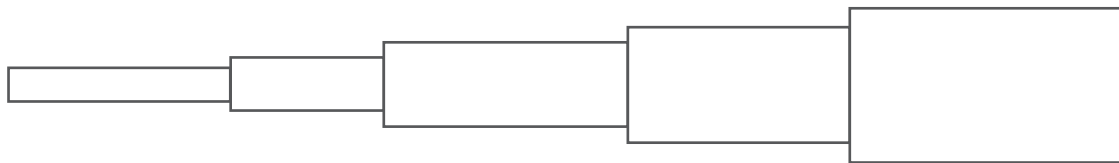


2. RG-58 Cable Specification

2.1 Drawing - Cross Section



2.2 Structure and Dimensions



<p>Conductor</p> <ul style="list-style-type: none"> • Material - Bare Copper Wire • Composition (1/1.02mm) • Diameter - 1.02mm 	<p>Insulation</p> <ul style="list-style-type: none"> • Material - Foam Polyethylene • Avg. Thickness - 0.95mm • Diameter - 2.9 ± 0.1mm 	<p>Braid Shield</p> <ul style="list-style-type: none"> • Material - Aluminium Foil • Construction - 0.020mm 	<p>Braid Shield</p> <ul style="list-style-type: none"> • Material - Tinned Copper Wire • Structure - 16/6/0.12mm • Coverage - 87% • Diameter - 3.4 ± 0.05mm 	<p>Jacket</p> <ul style="list-style-type: none"> • Material - RoHS PVC • Diameter - 5.0 ± 0.15mm • Colour - Black
--	---	--	---	--



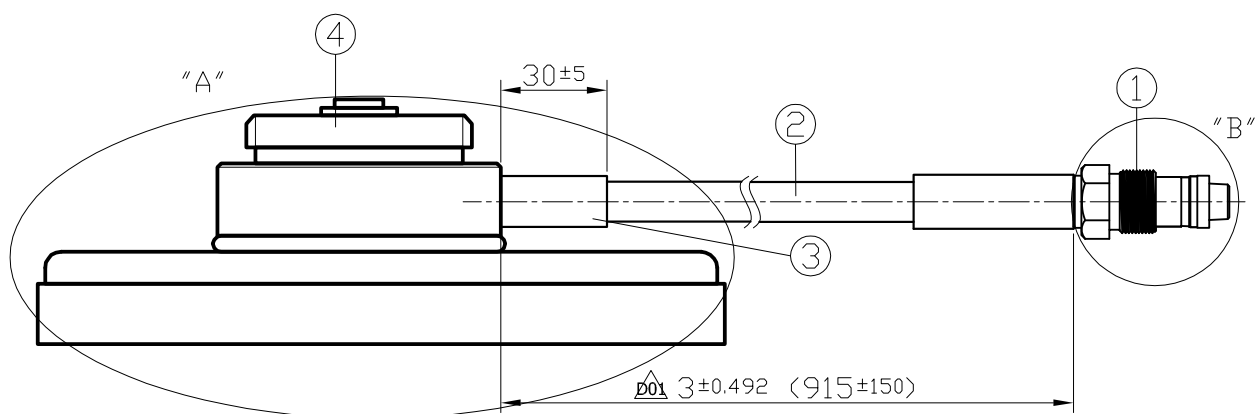
2.3 Electrical & Physical Specification

Specification

Insulation Resistance:	1000 MΩ-Km (Min)				
Capacitance	83 ± 3 pF/m				
Nom. Impedance	53 ± 3 Ω				
Attenuation (dB/100ft)	200MHz	400MHz	700MHz	900MHz	1000MHz
	4.66	6.32	8.45	9.67	10.2

3. Technical Drawing

3.1 CAB.W11



	Name	Material	Finish	QTY
1	FME(F) ST	Brass	Ni Plated	1
2	RG58 Coaxial Cable	PVC	Black	1
3	Heat Shrink Tube	PE	Black	1
4	NMO(MM)	Brass	Ni Plated	1



3.2 Connectors

