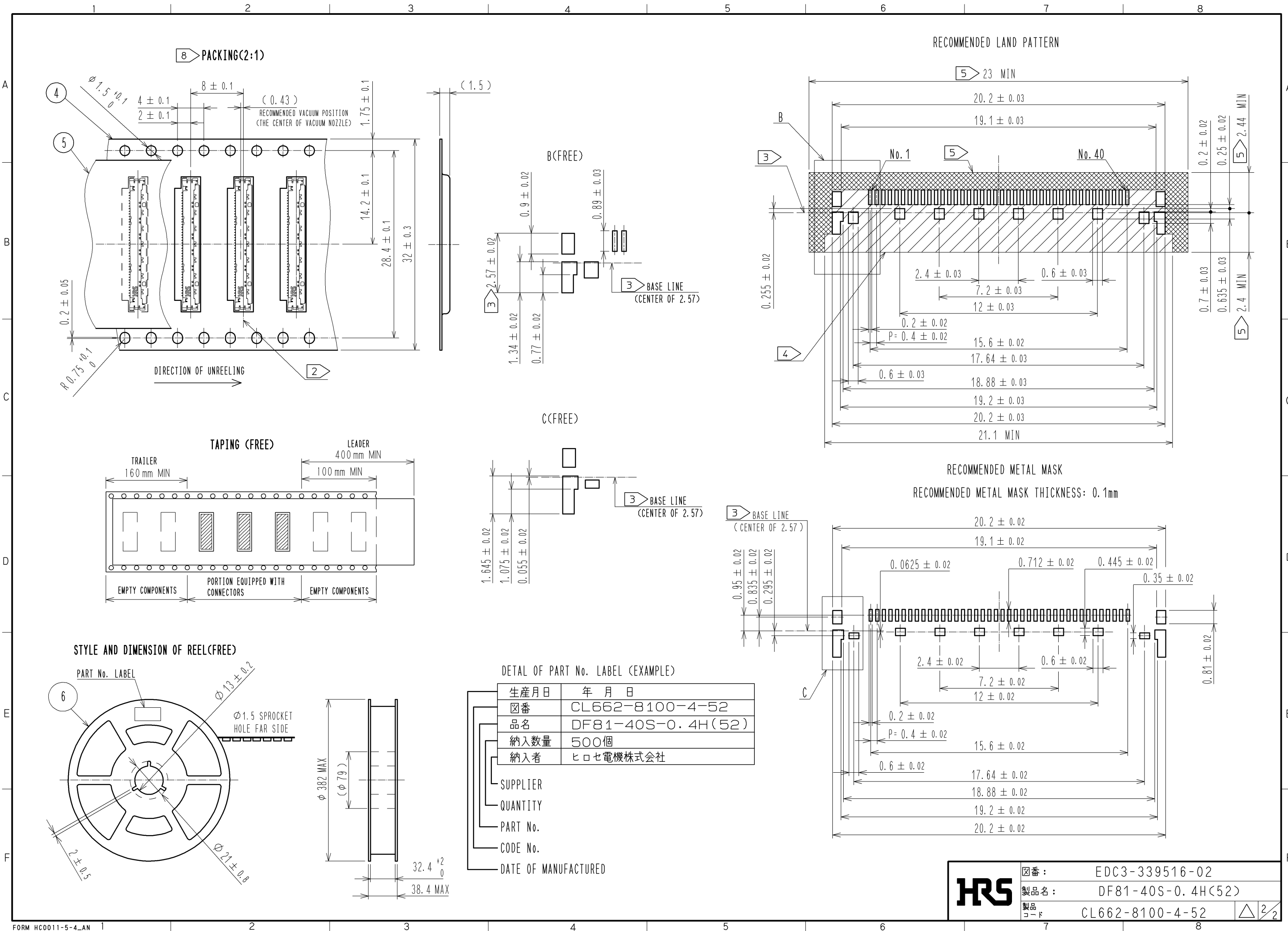


- NOTES
- LEAD CO-PLANARITY SHALL BE 0.1mmMAX.
 - DIRECTED CENTER LINE INDICATES THE CENTER OF 2.75 ± 0.2 WHICH IS CONNECTOR DIMENSION. IT CORRESPONDS WITH THE CENTER LINE OF ENBOSSED POCKET.
 - DIRECTED CENTER LINE INDICATES THE CENTER OF 2.57 ± 0.02 WHICH IS RECOMMENDED LAND PATTERN DIMENSION. IT IS THE BASE LINE OF RECOMMENDED LAND PATTERN DIMENSION AND RECOMMENDED METAL MASK DIMENSION. IT CORRESPONDS WITH THE CENTER OF 2.37 ± 0.2 WHICH IS CONNECTOR DIMENSION.
 - CONDUCTIVE CIRCUIT ON THIS SURFACE REQUIRES THE COVERAGE WITH RESIST.
 - IT INDICATES PROHIBITION AREA OF MOUNTING. IF PARTS WERE MOUNTED ON THIS AREA, THE LOCK OF CONNECTOR BECOMES DISABLED BECAUSE MOUNTED PARTS INTERFERE WITH THE LATCH OF PLUG.
 - PER REEL : 500 COMPONENTS.
 - THE DIMENSIONS IN PARENTHESES ARE FOR REFERENCE.
 - REFER TO JIS 0806. (PACKING OF COMPONENTS FOR AUTO HANDRING)

2	LCP	UL94V-0, BLACK	6	PS	BLACK
1	PHOSPHOR BRONZE	CONTACT AREA : Au PLATING 0.1μm MIN. LEAD AREA : Au PLATING 0.05μm MIN. UNDER PLATING : Ni PLATING 1μm MIN.	5	POLYESTER	CLEAR
			4	PS	CLEAR
			3	SUS	CONTACT AREA : Au PLATING 0.05μm MIN. LEAD AREA : Au PLATING 0.05μm MIN. UNDER PLATING : Ni PLATING 0.2μm MIN.
部番	材 質	処 理 , 備 考	部番	材 質	処 理 , 備 考
UNITS mm		SCALE 5 : 1		訂 正 記 事	設 計
HRS HIROSE ELECTRIC CO., LTD.		承 認 : MH. YAMANE 13.11.26	検 査 : MH. TSUCHIDA 13.11.25	設 計 : AH. MIYAZAKI 13.11.12	製 品 名 : DF81-40S-0.4H(52)
		製 図 : AH. MIYAZAKI 13.11.12	製 品 コード : CL662-8100-4-52	図 番 : EDC3-339516-02	年 月 日

MICRO COAXIAL CABLE AWG#36~AWG#46
DISCRETE CABLE AWG#34~AWG#40



生産月日	年月日
図番	CL662-8100-4-52
品名	DF81-40S-0.4H(52)
納入数量	500個
納入者	ヒロセ電機株式会社

HRS	図番:	EDC3-339516-02
	製品名:	DF81-40S-0.4H(52)
	製品コード:	CL662-8100-4-52