



Distributor of Pulse Electronics Corporation: Excellent Integrated System Limited

Datasheet of SFPPCAGE001-02-L - CONN SFP+ CAGE 1X1 SMD

Contact us: [sales@integrated-circuit.com](mailto:sales@integrated-circuit.com) Website: [www.integrated-circuit.com](http://www.integrated-circuit.com)

---

## Excellent Integrated System Limited

Stocking Distributor

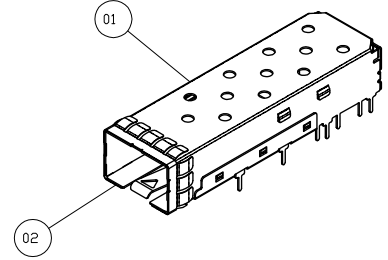
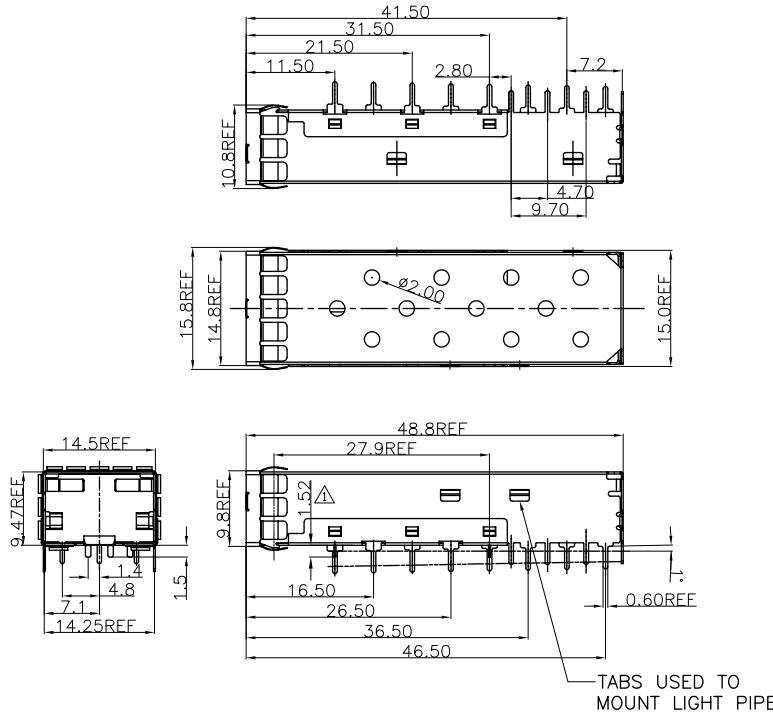
Click to view price, real time Inventory, Delivery & Lifecycle Information:

[Pulse Electronics Corporation](#)  
[SFPPCAGE001-02-L](#)

For any questions, you can email us directly:

[sales@integrated-circuit.com](mailto:sales@integrated-circuit.com)

REVISION RECORD		
REV	DESCRIPTION	DRFT
1	UPDATE DIM	Jack 8/05/11
2	MODIFY NI PLATING SPEC.	Jack 11/11/11
3	ADD DIMENSION 150	Rev 7/23/13



**NOTE:**

- | 1. DESCRIPTION                | Q'ty | MATERIAL | PLATING     |
|-------------------------------|------|----------|-------------|
| 01 SFP TOP CAGE (Non-Logo)    | 1PCS | COPPER   | MATT NICKLE |
| 02 SFP BOTTOM CAGE (Non-Logo) | 1PCS | COPPER   | MATT NICKLE |
2. PLATED: PLATED NICKEL 50u"-350u" Max
3. TEMPERATURE:  
OPERATION: -40°C~ +85°C  
STORAGE: -40°C~ +85°C
4. RoHS COMPLIANT

PART NUMBER  
SFPPCAGE001-02-L

		<b>RoHS Compliant</b>				<b>FULL RISE ELECTRONIC CO., LTD</b>	
TOLERANCES EXCEPT AS NOTED:				TITLE: THROUGH HOLE			
MM		DATE	6/11/08	DRAWING NO. CSFPPCAGE001-02-L			
0 ± 0.25	±	CHKD		/PART NO. SFPPCAGE001-02-L			
0.0 ± 0.25	±	APPLY		DD NDT SCALE DRAWING			
0.00 ± 0.10	±			SHEET 1 OF 2			
ANGLES ± 0.5°				SCALE: 1:1			
THIRD ANGLE PROJECTION				SIZE A3			
DETACHED LISTS				REV 3			

8

7

6

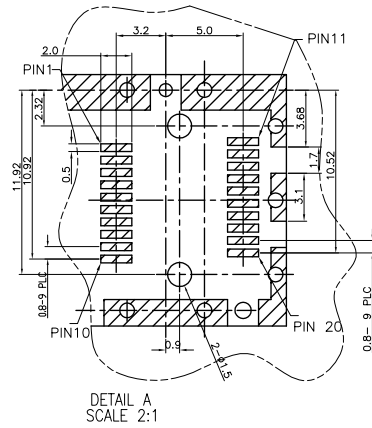
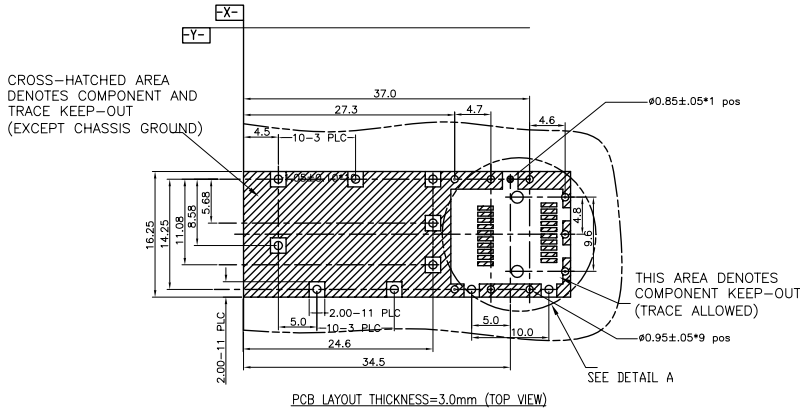
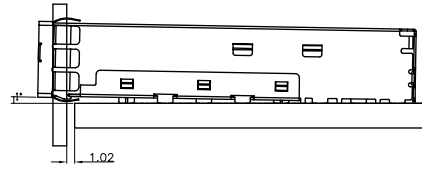
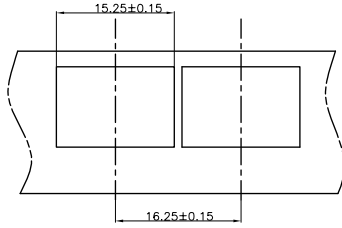
4

3

2

1

REVISION RECORD		
REV	DESCRIPTION	DRFT
1	UPDATE DIM	Jack 8/25/11
2	MODIFY NI PLATING SPEC.	Jack 11/21/11
3	ADD DIMENSION L50	Rog 7/23/12



- $\emptyset 1.05 * 10$
- $\emptyset 0.95 * 9$
- $\emptyset 0.85 * 1$

Suggestion: Through hole is  $\emptyset 0.85 +0.05/-0$

		<b>RoHS Compliant</b>				<b>PULSE ELECTRONIC CO., LTD</b>	
<b>TOLERANCES EXCEPT AS NOTED</b>		<b>DRTO PETER</b>		<b>DATE 6/11/08'</b>		<b>TITLE</b>	
MM							
0 ± 0.25	±						
0.0 ± 0.20	±						
0.00 ± 0.10	±						
<b>ANGLES ± 0.5°</b>		<b>CHKD</b>		<b>DATE</b>		<b>THROUGH HOLE</b>	
		<b>APPL</b>		<b>DATE</b>		<b>EM I SFP CAGE ENHANCED FOR PCI</b>	
<b>THIRD ANGLE PROJECTION</b>		<b>SCALE : 1:1</b>		<b>DRAWING NO. CSFPFCAGE001-02-L</b>		<b>SIZE REV</b>	
				<b>/PART NO. SFPPCAGE001-02-L</b>		<b>A3 3</b>	
				<b>DO NOT SCALE DRAWING</b>		<b>SHEET 2 OF 2</b>	

8 | 7 | 6 | 5 | 4 | 3 | 2 | 1