



Distributor of Pulse Electronics Corporation: Excellent Integrated System Limited
Datasheet of E8144-B02022-L - Connector Receptacle USB TypeB 4 Position Through Hole,
Right Angle, Horizontal

Contact us: sales@integrated-circuit.com Website: www.integrated-circuit.com

Excellent Integrated System Limited

Stocking Distributor

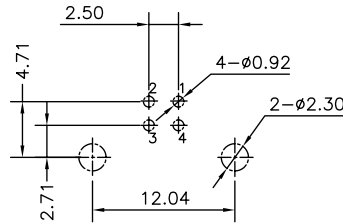
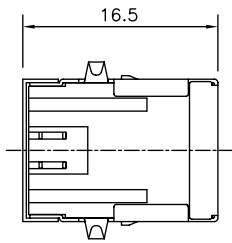
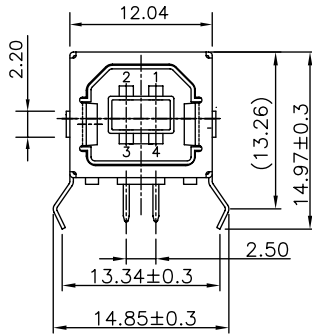
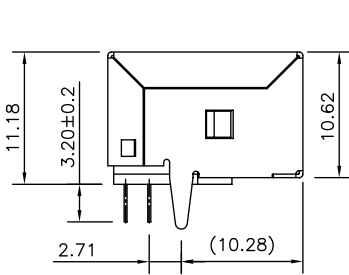
Click to view price, real time Inventory, Delivery & Lifecycle Information:

[Pulse Electronics Corporation](#)
[E8144-B02022-L](#)

For any questions, you can email us directly:
sales@integrated-circuit.com

Contact us: sales@integrated-circuit.com Website: www.integrated-circuit.com

REVISION RECORD		
REV	DESCRIPTION	DRFT



PC BOARD LAYOUT
 COMPONENT SIDE SHOWN
 TOLERANCES±0.05mm

NOTES:

- MATERIAL:**
 TERMINAL: PHOSPHOR BRONZE, T=0.25mm.
 SHIELD : COPPER ALLOY, T=0.3mm.
 HOUSING : GLASS FIBER FILLED PBT, UL94V-0\BLACK.
- PLATING:**
 CONTACT: GOLD PLATING OVER NICKEL
 TAILS: TIN PLATING OVER NICKEL.
 SHIELD: TIN PLATING OVER NICKEL.
- ELECTRICAL:**
 VOLTAGE RATING: 30 VAC RMS.
 CURRENT RATING: 1.0 AMP.
 CONTACT RESISTANCE: 40 MILLIOHMS MAX.
 INSULATION RESISTANCE: 1000 MEGOHMS MIN @500 VDC.
 DIELECTRIC STRENGTH: 500 VDC, 1 MIN.
 OPERATING LIFE : 1500 CYCLES MIN.
 MATING FORCE : 3.5 KGF MAX.
 UNMATING FORCE: 1 KGF MIN.
- ENVIRONMENTAL:**
 STORAGE: -40°C TO +85°C.
 OPERATION: -40°C TO +85°C.
 CAPACITANCE: 2 PF MAX 1 KHZ.
 WAVE SOLDER TEMPERATURE: 235°C~245°C(3~5 SECONDS).
 RoHS COMPLIANT.
- UL & CUL FILE NO. E163191.

E8144-B02022-L	6U"
PART NO.	Au PLATING

		RoHS Compliant		
TOLERANCES EXCEPT AS NOTED MM .0 ± 0.25 ± .00 ± 0.20 ± .000 ± 0.10 ±		TITLE USB Series B 4-Position Dip Type		
ANGLES ± 1° 	DFTO : ELLA DATE : 01/13/2014	DRAWING NO. CE8144-B0202X-L /PART NO. E8144-B02022-L	SIZE A3 REV 0	DO NOT SCALE DRAWING SHEET 1 OF 1