

## Excellent Integrated System Limited

Stocking Distributor

Click to view price, real time Inventory, Delivery & Lifecycle Information:

[Triad Magnetics](#)  
[F3-12](#)

For any questions, you can email us directly:  
[sales@integrated-circuit.com](mailto:sales@integrated-circuit.com)



## Power Transformer Chassis Mount: Quick Pack

### F3-12

#### Description:

The F3-12 Quick Pack small power transformer offers a significant reduction in size and weight over a standard transformer. This transformer can be used for a wide variety of applications. It is bobbin wound for reduced size and small operating space.

#### Electrical Specifications (@25C);

**Maximum Power:** 2.4VA

**Input Voltage:** 115VAC @50/60Hz

**Output Voltage:** 12.6VCT@0.2A

**Hipot:** 2500VAC primary to secondary; 1500VAC windings to core.

#### Construction:

Split bobbin non concentric winding eliminates costly electrostatic shielding. Termination is suitable for quick connects or soldering. Built with UL Class B Insulation System.

#### Safety:

UL: File E53148, UL 5085-1 and 2 (formerly UL 506), General Purpose.



#### Dimensions:

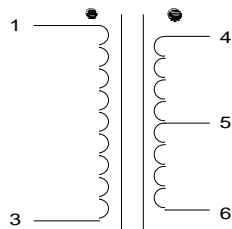
A	B	C	D	E	F	G
1.187	1.75±.03	2.062	1.187	1.625	.187 Dia	.562

**Notes:** 1. Units: inches.

2. Terminal size: .187" X 0.021".

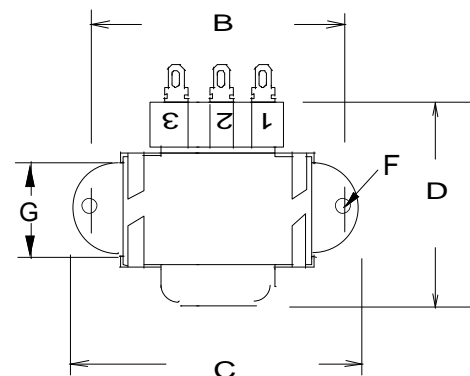
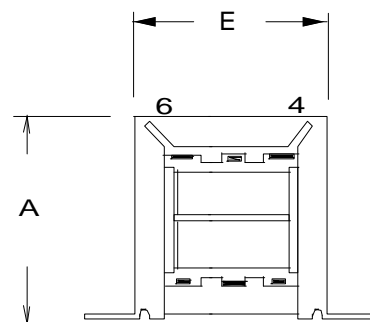
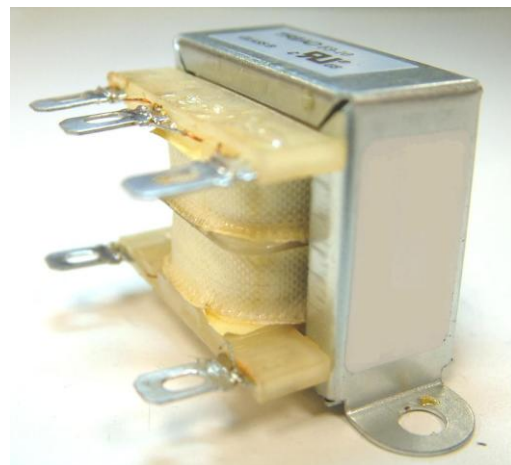
3. Weight: .25 lbs

#### Schematic:



**Input:** 1 to 3

**Output:** 4 to 6



**RoHS Compliance:** As of manufacturing date February 2005, all standard products meet the requirements of 2011/65/EU, known as the RoHS initiative.

\* Upon printing, this document is considered "uncontrolled". Please contact Triad Magnetics' website for the most current version.