

## Excellent Integrated System Limited

Stocking Distributor

Click to view price, real time Inventory, Delivery & Lifecycle Information:

[Amphenol Commercial Products](#)  
[L17DPPK15JS](#)

For any questions, you can email us directly:

[sales@integrated-circuit.com](mailto:sales@integrated-circuit.com)

The document is the property of Amphenol Corporation and is delivered on the express condition that it is not to be disclosed, reproduced or used, in whole or in part, for manufacture or sale by anyone other than Amphenol Corporation without its prior consent. All rights are granted to Amphenol or to use any information in this document.

REVISIONS				
SYM	ECN	DESCRIPTION	DATE	APPROVED
A			07/06/07	

**D-SUB TECHNICAL DATA**

Material and finish: plastic, nickel plated

Cable strain relief: Steel fibre reinforced Polycarbonate (UL94R-0) for ENI/RFI screening

Locking screws: Long solid jackscrew with full metal for indication of M3 thread

Temperature range: -55°C to 125°C

Cable diameter: 4.0 to 13.0mm

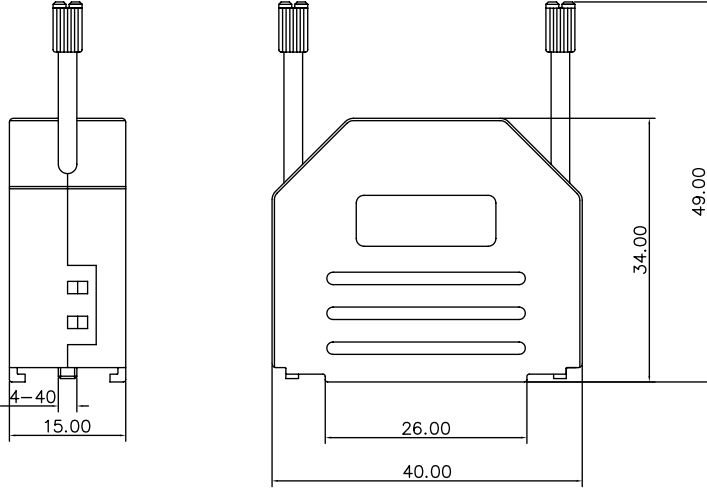
Attenuation factor: >40 dB between 30 MHz and 1 GHz

Meet requirements: VDE 0971, FCC 20780, 89/336/EU

MARKING : Amphenol...(Series No.)

Commercial reference

Manufacturing date



UNLESS OTHERWISE SPECIFIED		APPROVAL	DATE	Amphenol
TOLERANCES		DRAWN	07/06/07	
U.S.		CHKD	07/06/07	
METRIC		CHECKED	07/06/07	
X	+/-	0.50		TITLE <b>PLASTIC HOOD</b>
XX	+/-	0.30		
XXX	+/-	0.20		
FRACTIONS		2'		
ANGLES		2'		
FOR MATERIALS AND FINISHES		DRAWING FILE		
SEE NOTES		FOR TOLERANCES/DRAWING/DETAIL		
REMOVE SHARP EDGES		ANGLE OF PROJECTION		
DIMENSIONS		FIRST ANGLE		
U.S.		TENTHES		
METRIC		MM		
SIZE	DRAWING NO.	REV.		
A4	L17DPPK15MJS	A		
SCALE	NONE	SHEET	1 OF 1	