



**Distributor of Amphenol Commercial Products: Excellent Integrated System Limited**  
Datasheet of L17HTNAP4R1C - D-Sub Connector Plug, Male Pins 15 Position Through Hole  
Solder

Contact us: [sales@integrated-circuit.com](mailto:sales@integrated-circuit.com) Website: [www.integrated-circuit.com](http://www.integrated-circuit.com)

---

## **Excellent Integrated System Limited**

Stocking Distributor

Click to view price, real time Inventory, Delivery & Lifecycle Information:

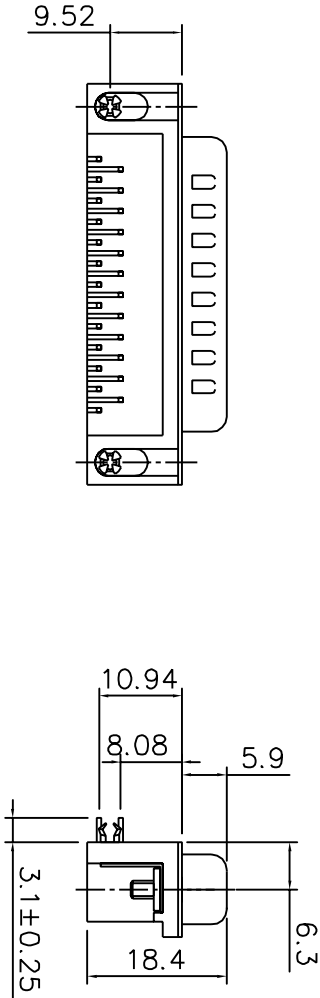
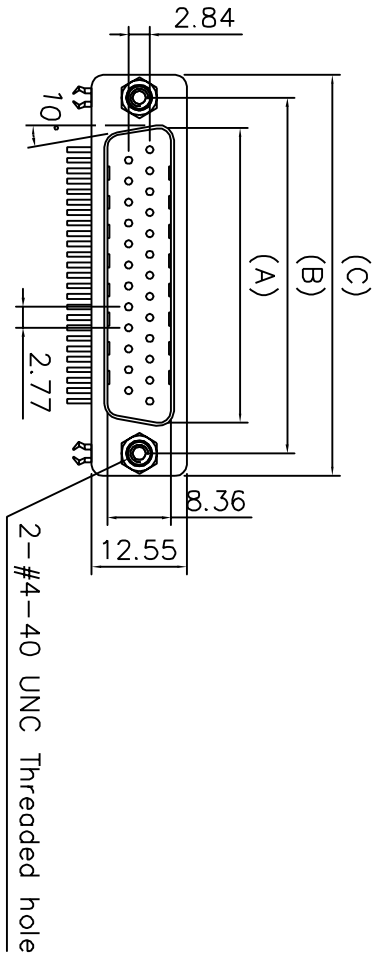
[Amphenol Commercial Products](#)  
[L17HTNAP4R1C](#)

For any questions, you can email us directly:

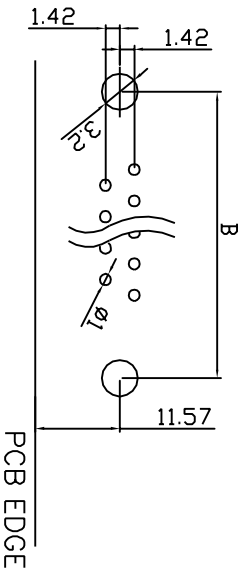
[sales@integrated-circuit.com](mailto:sales@integrated-circuit.com)

This document is the property of Amphenol Corporation and is delivered on the express condition that it is not to be reproduced, stored in a retrieval system, or transmitted in any form or by any means, electronic, mechanical, photocopying, recording, or by any information storage and retrieval system, without its prior consent, and that no right is granted to disclose or to use any information in this document.

MALE



RECOMMENDED PCB LAYOUT



### Specifications

- Contact Resistance: 30m ohms max. at DC 100mA
  - Insulator Resistance: 1000M ohms min. at DC 500V
  - Current Rating: 5 AMP
  - Dielectric Withstanding Voltage: AC 1000V For 1 minute
  - Operating Temperature: -55°C ~ +150°C
  - resist to short term (30s) at 260°C
  - Shell : steel, tin plated
  - Contact: Brass , selective gold flash
  - Termination : Tin over Nickel
  - Housing: Glass-filled thermoplastic (UL 94V-0)
- ROHS compliant  
MSL components : level 3

Size	part number	A	B	C
09	L17HTNCP4R1C	16.92	24.99	30.81
15	L17HTNAP4R1C	25.25	33.32	39.14
25	L17HTNBP4R1C	38.96	47.04	53.0.4
37	L17HTNCP4R1C	55.42	63.50	69.32

TOLERANCE (mm)	APPROVALS	DATE	TITLE
X. ±0.3	DRAWN GDU	07/06/06	17HT SERIES CONNECTORS HIGH TEMP MATERIAL MIL FOOTPRINT PLUG
XX ±0.1	CHECKED JFL	07/06/06	
XXX ±0.05	APPROVED JFL	07/06/06	

UNLESS OTHERWISE SPECIFIED	DRAWING N°	SCALE	SHEET	REV.
MM	A4	L17HTN-P4R1C	Sheet 1 of 1	A