

Excellent Integrated System Limited

Stocking Distributor

Click to view price, real time Inventory, Delivery & Lifecycle Information:

[Mallory Sonalert Products](#)

[MSS5M0](#)

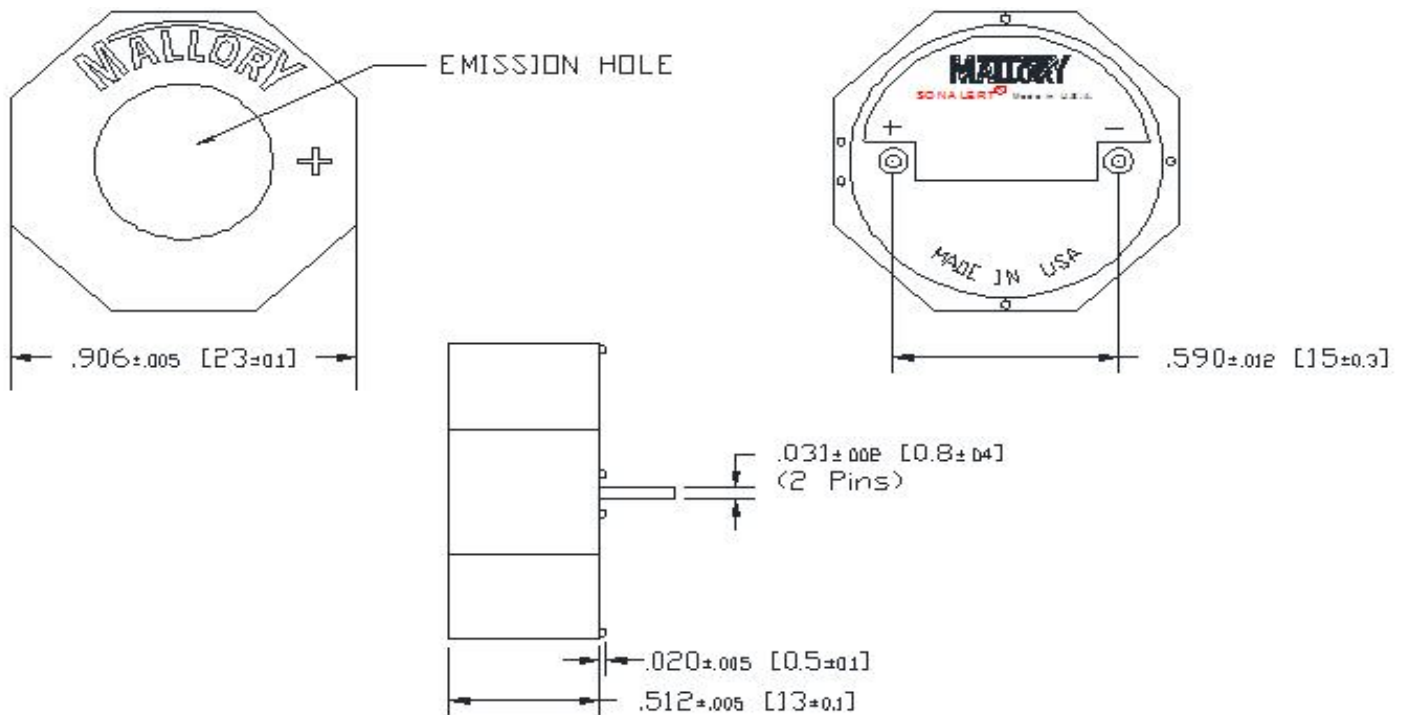
For any questions, you can email us directly:

sales@integrated-circuit.com

Mallory Sonalert Products, Inc. Sales Outline Drawing	Part #:	MSS5M0
	Revision:	F

Specifications:	Capable of meeting Medical Spec IEC60601-1-8
Sound Level Category:	Loud
Mode of Operation:	Continuous
Voltage Rating:	5 ± 0.5 VDC
Loudness @ 10cm:	85 to 95 dB(A) Typ.
Frequency:	325 Hz
Average Current Draw:	<200mA Typ.
Ipk Current*:	250mA MAX
Housing Material:	Valox (UL94V-0), Color: Black
Storage Temperature:	-30° to +60° C
Operating Temperature:	-30° to +55° C
Weight Typical:	6.0g
Options:	Please contact factory.

Dimensions: Inches (mm) **ROHS Compliant**



NOTE A:
TERMINALS - .031" DIA. NICKEL/TIN COATED BRASS.

NOTE B:
MOUNTING- INSERT INTO PRINTED CIRCUIT BOARD AND HAND OR MACHINE SOLDER.
UNITS ARE SUITABLE FOR WAVE SOLDERING. BOARDS ARE NOT SUITABLE FOR WASH.
RECOMMENDED MAXIMUM TEMPERATURE AND TIME DURATION FOR WAVE SOLDERING IS
+270°C AND 3 SECONDS RESPECTIVELY.

*Ipk = Instantaneous Peak