

Excellent Integrated System Limited

Stocking Distributor

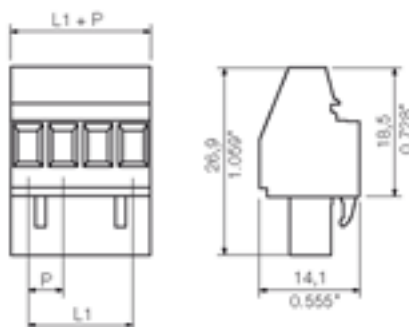
Click to view price, real time Inventory, Delivery & Lifecycle Information:

[Weidmüller](#)
[1636140000](#)

For any questions, you can email us directly:

sales@integrated-circuit.com

Product catalogue | PCB connection systems | PCB plug-in connectors | Pitch 5.00 / 5.08 mm (0.197 / 0.200 inch) | Socket connectors, tension clamp connection, pitch 5.00/5.08 | BLZ 5.00-5.08/90/270 | BLZ 5.00/90


General ordering data

| | |
|------------------|-------------------------------------------------------------------------------------------------------------------------------------------------------------|
| Order No. | 1636140000 |
| Part designation | BLZ 5.00/22/90 SN OR |
| Version | PCB plug-in connector, Female connectors, Clamping yoke connection, Clamping range, max.: 3.31 mm ² , Pitch: 5.00 mm, No. of poles: 22, 90°, Box |
| EAN | 4008190265663 |
| Qty. | 12 pc(s). |

System parameters

| | |
|-------------------------------------------|--------------------------|
| Conductor connection system | Clamping yoke connection |
| Outgoing direction of conductor | 90° |
| Pitch | 5 mm |
| Pitch in inch | 0.197 inch |
| No. of poles | 22 |
| No. of rows | 1 |
| Screwdriver blade | 0.6 x 3.5 |
| Screwdriver blade standard | DIN 5264 |
| Tightening torque, min. | 0.4 Nm |
| Tightening torque, max. | 0.5 Nm |
| Clamping screw | M 2.5 |
| Stripping length | 7 mm |
| L1 in mm | 105 mm |
| L1 in inch | 4.134 inch |
| Electric shock protection to DIN VDE 0470 | IP 20 |
| Electric shock protection to DIN VDE 0470 | Safe from finger touch |

Material data

| | |
|---------------------------|---------------------|
| Insulating material | PBT |
| Colour | orange |
| colour chart | Similar to RAL 2000 |
| Insulating material group | IIIa |
| Flammability class UL 94 | V-0 |
| CTI | >= 200 |

Product catalogue | PCB connection systems | PCB plug-in connectors | Pitch 5.00 / 5.08 mm (0.197 / 0.200 inch) | Socket connectors, tension clamp connection, pitch 5.00/5.08 | BLZ 5.00-5.08/90/270 | BLZ 5.00/90

Material data

| | |
|-----------------------|--------------|
| Contact base material | Copper alloy |
| Contact surface | tinned |

Connectable conductors

| | |
|---------------------------------------------------|-------------------------|
| Clamping range, min. | 0.13 mm ² |
| Clamping range, max. | 3.31 mm ² |
| AWG, min. | 26 |
| AWG, max. | 12 |
| Solid, min. H05(07) V-U | 0.5 mm ² |
| Solid, max. H05(07) V-U | 2.5 mm ² |
| Flexible, min. H05(07) V-K | 0.5 mm ² |
| Flexible, max. H05(07) V-K | 2.5 mm ² |
| With wire end ferrule, acc. to DIN 46 228/1, min. | 0.5 mm ² |
| With wire end ferrule, acc. to DIN 46 228/1, max. | 2.5 mm ² |
| w. plastic collar ferrule, DIN 46228 pt 4, min. | 0.5 mm ² |
| w. plastic collar ferrule, DIN 46228 pt 4, max. | 2.5 mm ² |
| Gauge to EN 60999 a x b; ø | 2.8 mm x 2.0 mm; 2.4 mm |

DIN IEC rating data

| | |
|--------------------------------------------------------------------------------|-------------------|
| Rated current, min. No. pins (Tu=20°C) | 15 A |
| Rated current, max. No. pins (Tu=20°C) | 12 A |
| Rated current, min. No. pins (Tu=40°C) | 12 A |
| Rated current, max. No. pins (Tu=40°C) | 10 A |
| Rated voltage for overvoltage class/pollution severity II/2 | 400 V |
| Rated voltage for overvoltage class/pollution severity III/2 | 320 V |
| Rated voltage for overvoltage class/pollution severity III/3 | 250 V |
| Rated impulse withstand voltage for overvoltage class/pollution severity II/2 | 4 kV |
| Rated impulse withstand voltage for overvoltage class/pollution severity III/2 | 4 kV |
| Rated impulse withstand voltage for overvoltage class/pollution severity III/3 | 4 kV |
| Short-time withstand current resistance | 3 x 1s with 120 A |

CSA rating data

| | |
|------------------------------------|-------|
| Rated voltage (Use group D) | 300 V |
| Rated current (Use group D) | 10 A |
| AWG conductor (field wiring), min. | 26 |
| AWG conductor (field wiring), max. | 12 |

UL 1059 rating data

| | |
|-----------------------------|-------|
| Rated voltage (Use group D) | 300 V |
| Rated current (Use group D) | 10 A |
| AWG conductor, min. | 26 |
| AWG conductor, max. | 12 |

Product catalogue | PCB connection systems | PCB plug-in connectors | Pitch 5.00 / 5.08 mm (0.197 / 0.200 inch) | Socket connectors, tension clamp connection, pitch 5.00/5.08 | BLZ 5.00-5.08/90/270 | BLZ 5.00/90

Approvals

Approvals institutes


Classifications

| | |
|------------|-------------|
| ETIM 2.0 | NK |
| ETIM 3.0 | EC001284 |
| eClass 4.1 | 27-26-07-01 |
| eClass 5.0 | 27-26-07-01 |
| eClass 5.1 | 27-26-07-04 |

Similar products

| Order No. | Part designation | Version |
|------------|---------------------|------------------------------------------------------------------------------------------------------------------------------------------------------------|
| 1635940000 | BLZ 5.00/2/90 SN OR | PCB plug-in connector, Female connectors, Clamping yoke connection, Clamping range, max.: 3.31 mm ² , Pitch: 5.00 mm, No. of poles: 2, 90°, Box |
| 1636890000 | BLZ 5.00/2/90 SN SW | PCB plug-in connector, Female connectors, Clamping yoke connection, Clamping range, max.: 3.31 mm ² , Pitch: 5.00 mm, No. of poles: 2, 90°, Box |
| 1635950000 | BLZ 5.00/3/90 SN OR | PCB plug-in connector, Female connectors, Clamping yoke connection, Clamping range, max.: 3.31 mm ² , Pitch: 5.00 mm, No. of poles: 3, 90°, Box |
| 1636900000 | BLZ 5.00/3/90 SN SW | PCB plug-in connector, Female connectors, Clamping yoke connection, Clamping range, max.: 3.31 mm ² , Pitch: 5.00 mm, No. of poles: 3, 90°, Box |
| 1635960000 | BLZ 5.00/4/90 SN OR | PCB plug-in connector, Female connectors, Clamping yoke connection, Clamping range, max.: 3.31 mm ² , Pitch: 5.00 mm, No. of poles: 4, 90°, Box |
| 1636910000 | BLZ 5.00/4/90 SN SW | PCB plug-in connector, Female connectors, Clamping yoke connection, Clamping range, max.: 3.31 mm ² , Pitch: 5.00 mm, No. of poles: 4, 90°, Box |
| 1635970000 | BLZ 5.00/5/90 SN OR | PCB plug-in connector, Female connectors, Clamping yoke connection, Clamping range, max.: 3.31 mm ² , Pitch: 5.00 mm, No. of poles: 5, 90°, Box |
| 1636920000 | BLZ 5.00/5/90 SN SW | PCB plug-in connector, Female connectors, Clamping yoke connection, Clamping range, max.: 3.31 mm ² , Pitch: 5.00 mm, No. of poles: 5, 90°, Box |
| 1635980000 | BLZ 5.00/6/90 SN OR | PCB plug-in connector, Female connectors, Clamping yoke connection, Clamping range, max.: 3.31 mm ² , Pitch: 5.00 mm, No. of poles: 6, 90°, Box |
| 1636930000 | BLZ 5.00/6/90 SN SW | PCB plug-in connector, Female connectors, Clamping yoke connection, Clamping range, max.: 3.31 mm ² , Pitch: 5.00 mm, No. of poles: 6, 90°, Box |
| 1635990000 | BLZ 5.00/7/90 SN OR | PCB plug-in connector, Female connectors, Clamping yoke connection, Clamping range, max.: 3.31 mm ² , Pitch: 5.00 mm, No. of poles: 7, 90°, Box |

Product catalogue | PCB connection systems | PCB plug-in connectors | Pitch 5.00 / 5.08 mm (0.197 / 0.200 inch) | Socket connectors, tension clamp connection, pitch 5.00/5.08 | BLZ 5.00-5.08/90/270 | BLZ 5.00/90

| | | |
|------------|----------------------|-------------------------------------------------------------------------------------------------------------------------------------------------------------|
| 1636940000 | BLZ 5.00/7/90 SN SW | PCB plug-in connector, Female connectors, Clamping yoke connection, Clamping range, max.: 3.31 mm ² , Pitch: 5.00 mm, No. of poles: 7, 90°, Box |
| 1636000000 | BLZ 5.00/8/90 SN OR | PCB plug-in connector, Female connectors, Clamping yoke connection, Clamping range, max.: 3.31 mm ² , Pitch: 5.00 mm, No. of poles: 8, 90°, Box |
| 1636950000 | BLZ 5.00/8/90 SN SW | PCB plug-in connector, Female connectors, Clamping yoke connection, Clamping range, max.: 3.31 mm ² , Pitch: 5.00 mm, No. of poles: 8, 90°, Box |
| 1636010000 | BLZ 5.00/9/90 SN OR | PCB plug-in connector, Female connectors, Clamping yoke connection, Clamping range, max.: 3.31 mm ² , Pitch: 5.00 mm, No. of poles: 9, 90°, Box |
| 1636960000 | BLZ 5.00/9/90 SN SW | PCB plug-in connector, Female connectors, Clamping yoke connection, Clamping range, max.: 3.31 mm ² , Pitch: 5.00 mm, No. of poles: 9, 90°, Box |
| 1636020000 | BLZ 5.00/10/90 SN OR | PCB plug-in connector, Female connectors, Clamping yoke connection, Clamping range, max.: 3.31 mm ² , Pitch: 5.00 mm, No. of poles: 10, 90°, Box |
| 1636970000 | BLZ 5.00/10/90 SN SW | PCB plug-in connector, Female connectors, Clamping yoke connection, Clamping range, max.: 3.31 mm ² , Pitch: 5.00 mm, No. of poles: 10, 90°, Box |
| 1636030000 | BLZ 5.00/11/90 SN OR | PCB plug-in connector, Female connectors, Clamping yoke connection, Clamping range, max.: 3.31 mm ² , Pitch: 5.00 mm, No. of poles: 11, 90°, Box |
| 1636980000 | BLZ 5.00/11/90 SN SW | PCB plug-in connector, Female connectors, Clamping yoke connection, Clamping range, max.: 3.31 mm ² , Pitch: 5.00 mm, No. of poles: 11, 90°, Box |
| 1636040000 | BLZ 5.00/12/90 SN OR | PCB plug-in connector, Female connectors, Clamping yoke connection, Clamping range, max.: 3.31 mm ² , Pitch: 5.00 mm, No. of poles: 12, 90°, Box |
| 1636990000 | BLZ 5.00/12/90 SN SW | PCB plug-in connector, Female connectors, Clamping yoke connection, Clamping range, max.: 3.31 mm ² , Pitch: 5.00 mm, No. of poles: 12, 90°, Box |
| 1636050000 | BLZ 5.00/13/90 SN OR | PCB plug-in connector, Female connectors, Clamping yoke connection, Clamping range, max.: 3.31 mm ² , Pitch: 5.00 mm, No. of poles: 13, 90°, Box |
| 1637000000 | BLZ 5.00/13/90 SN SW | PCB plug-in connector, Female connectors, Clamping yoke connection, Clamping range, max.: 3.31 mm ² , Pitch: 5.00 mm, No. of poles: 13, 90°, Box |
| 1636060000 | BLZ 5.00/14/90 SN OR | PCB plug-in connector, Female connectors, Clamping yoke connection, Clamping range, max.: 3.31 mm ² , Pitch: 5.00 mm, No. of poles: 14, 90°, Box |
| 1637010000 | BLZ 5.00/14/90 SN SW | PCB plug-in connector, Female connectors, Clamping yoke connection, Clamping range, max.: 3.31 mm ² , Pitch: 5.00 mm, No. of poles: 14, 90°, Box |
| 1636070000 | BLZ 5.00/15/90 SN OR | PCB plug-in connector, Female connectors, Clamping yoke connection, Clamping range, max.: 3.31 mm ² , Pitch: 5.00 mm, No. of poles: 15, 90°, Box |
| 1637020000 | BLZ 5.00/15/90 SN SW | PCB plug-in connector, Female connectors, Clamping yoke connection, Clamping range, max.: 3.31 mm ² , Pitch: 5.00 mm, No. of poles: 15, 90°, Box |

Product catalogue | PCB connection systems | PCB plug-in connectors | Pitch 5.00 / 5.08 mm (0.197 / 0.200 inch) | Socket connectors, tension clamp connection, pitch 5.00/5.08 | BLZ 5.00-5.08/90/270 | BLZ 5.00/90

| | | |
|------------|----------------------|-------------------------------------------------------------------------------------------------------------------------------------------------------------|
| 1636080000 | BLZ 5.00/16/90 SN OR | PCB plug-in connector, Female connectors, Clamping yoke connection, Clamping range, max.: 3.31 mm ² , Pitch: 5.00 mm, No. of poles: 16, 90°, Box |
| 1637030000 | BLZ 5.00/16/90 SN SW | PCB plug-in connector, Female connectors, Clamping yoke connection, Clamping range, max.: 3.31 mm ² , Pitch: 5.00 mm, No. of poles: 16, 90°, Box |
| 1636090000 | BLZ 5.00/17/90 SN OR | PCB plug-in connector, Female connectors, Clamping yoke connection, Clamping range, max.: 3.31 mm ² , Pitch: 5.00 mm, No. of poles: 17, 90°, Box |
| 1637040000 | BLZ 5.00/17/90 SN SW | PCB plug-in connector, Female connectors, Clamping yoke connection, Clamping range, max.: 3.31 mm ² , Pitch: 5.00 mm, No. of poles: 17, 90°, Box |
| 1636100000 | BLZ 5.00/18/90 SN OR | PCB plug-in connector, Female connectors, Clamping yoke connection, Clamping range, max.: 3.31 mm ² , Pitch: 5.00 mm, No. of poles: 18, 90°, Box |
| 1637050000 | BLZ 5.00/18/90 SN SW | PCB plug-in connector, Female connectors, Clamping yoke connection, Clamping range, max.: 3.31 mm ² , Pitch: 5.00 mm, No. of poles: 18, 90°, Box |
| 1636110000 | BLZ 5.00/19/90 SN OR | PCB plug-in connector, Female connectors, Clamping yoke connection, Clamping range, max.: 3.31 mm ² , Pitch: 5.00 mm, No. of poles: 19, 90°, Box |
| 1637060000 | BLZ 5.00/19/90 SN SW | PCB plug-in connector, Female connectors, Clamping yoke connection, Clamping range, max.: 3.31 mm ² , Pitch: 5.00 mm, No. of poles: 19, 90°, Box |
| 1636120000 | BLZ 5.00/20/90 SN OR | PCB plug-in connector, Female connectors, Clamping yoke connection, Clamping range, max.: 3.31 mm ² , Pitch: 5.00 mm, No. of poles: 20, 90°, Box |
| 1637070000 | BLZ 5.00/20/90 SN SW | PCB plug-in connector, Female connectors, Clamping yoke connection, Clamping range, max.: 3.31 mm ² , Pitch: 5.00 mm, No. of poles: 20, 90°, Box |
| 1636130000 | BLZ 5.00/21/90 SN OR | PCB plug-in connector, Female connectors, Clamping yoke connection, Clamping range, max.: 3.31 mm ² , Pitch: 5.00 mm, No. of poles: 21, 90°, Box |
| 1637080000 | BLZ 5.00/21/90 SN SW | PCB plug-in connector, Female connectors, Clamping yoke connection, Clamping range, max.: 3.31 mm ² , Pitch: 5.00 mm, No. of poles: 21, 90°, Box |
| 1637090000 | BLZ 5.00/22/90 SN SW | PCB plug-in connector, Female connectors, Clamping yoke connection, Clamping range, max.: 3.31 mm ² , Pitch: 5.00 mm, No. of poles: 22, 90°, Box |
| 1636150000 | BLZ 5.00/23/90 SN OR | PCB plug-in connector, Female connectors, Clamping yoke connection, Clamping range, max.: 3.31 mm ² , Pitch: 5.00 mm, No. of poles: 23, 90°, Box |
| 1637100000 | BLZ 5.00/23/90 SN SW | PCB plug-in connector, Female connectors, Clamping yoke connection, Clamping range, max.: 3.31 mm ² , Pitch: 5.00 mm, No. of poles: 23, 90°, Box |
| 1636160000 | BLZ 5.00/24/90 SN OR | PCB plug-in connector, Female connectors, Clamping yoke connection, Clamping range, max.: 3.31 mm ² , Pitch: 5.00 mm, No. of poles: 24, 90°, Box |
| 1637110000 | BLZ 5.00/24/90 SN SW | PCB plug-in connector, Female connectors, Clamping yoke connection, Clamping range, max.: 3.31 mm ² , Pitch: 5.00 mm, No. of poles: 24, 90°, Box |