

Excellent Integrated System Limited

Stocking Distributor

Click to view price, real time Inventory, Delivery & Lifecycle Information:

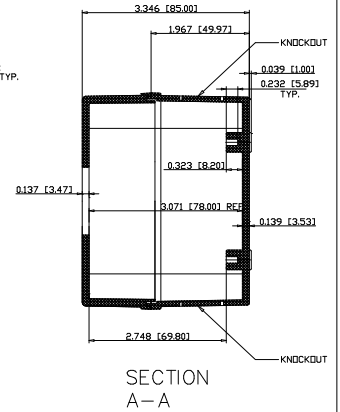
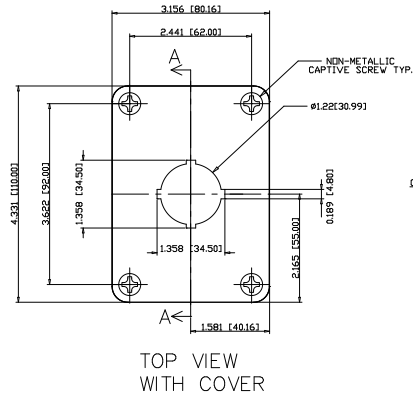
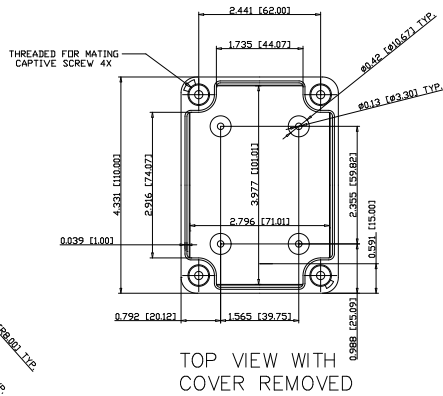
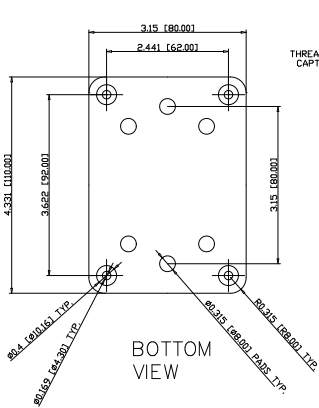
[BUD Industries, Inc.](#)

[PBB-11831-1](#)

For any questions, you can email us directly:

sales@integrated-circuit.com

PART NAME	PUSH BUTTON BOX - 1 HOLE (30MM)	PART No.	PBB-11831-1	REVISION DATE	12-3-15
-----------	---------------------------------	----------	-------------	---------------	---------



NOTES:

- 1- MATERIAL: BODY- GRAY POLYCARBONATE, 10% GLASS FIBER FILLED
COVER - GRAY POLYCARBONATE
- 2- IP-67 TUV AND UL-94V0 RATING
- 3- UL508/NEMA TYPE 4X AND TYPE 6 LISTED #E343339
- 4- CONTINUOUS GASKET IN COVER
- 5- FOUR NON-METALLIC CAPTIVE SCREWS PROVIDED
- 6- ALL OTHER DIMENSIONS HAVE +/- .03[.76] TOLERANCE
- 7- DIMENSIONS ARE INCH[MM]

OPTIONAL ACCESSORIES:
MOUNTING BRACKET KIT (STAINLESS STEEL) - #NBX-10922
MOUNTING BRACKET KIT (PLASTIC) - #PIX-4117

