

Excellent Integrated System Limited

Stocking Distributor

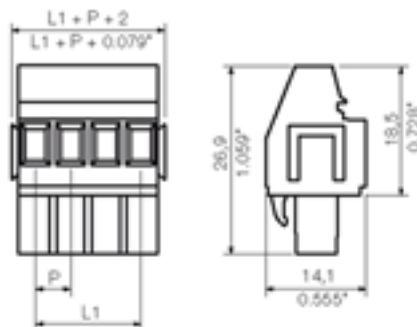
Click to view price, real time Inventory, Delivery & Lifecycle Information:

[Weidmüller](#)
[1561360000](#)

For any questions, you can email us directly:

sales@integrated-circuit.com

Product catalogue | PCB connection systems | PCB plug-in connectors | Pitch 5.00 / 5.08 mm (0.197 / 0.200 inch) | Socket connectors, tension clamp connection, pitch 5.00/5.08 | BLZ 5.00-5.08/90/270 | BLZ 5.08/270B


General ordering data

| | |
|------------------|--|
| Order No. | 1561360000 |
| Part designation | BLZ 5.08/19/270B SN OR |
| Version | PCB plug-in connector, Female connectors, Clamping yoke connection, Clamping range, max.: 3.31 mm ² , Pitch: 5.08 mm, No. of poles: 19, 270°, Box |
| EAN | 4008190187552 |
| Qty. | 18 pc(s). |

System parameters

| | |
|---|--------------------------|
| Conductor connection system | Clamping yoke connection |
| Outgoing direction of conductor | 270° |
| Pitch | 5.08 mm |
| Pitch in inch | 0.2 inch |
| No. of poles | 19 |
| No. of rows | 1 |
| Screwdriver blade | 0.6 x 3.5 |
| Screwdriver blade standard | DIN 5264 |
| Tightening torque, min. | 0.4 Nm |
| Tightening torque, max. | 0.5 Nm |
| Clamping screw | M 2.5 |
| Stripping length | 7 mm |
| L1 in mm | 91.44 mm |
| L1 in inch | 3.6 inch |
| Electric shock protection to DIN VDE 0470 | Safe from finger touch |

Material data

| | |
|---------------------------|---------------------|
| Insulating material | PBT |
| Colour | orange |
| colour chart | Similar to RAL 2000 |
| Insulating material group | IIIa |
| Flammability class UL 94 | V-0 |
| CTI | >= 200 |
| Contact base material | Copper alloy |

Product catalogue | PCB connection systems | PCB plug-in connectors | Pitch 5.00 / 5.08 mm (0.197 / 0.200 inch) | Socket connectors, tension clamp connection, pitch 5.00/5.08 | BLZ 5.00-5.08/90/270 | BLZ 5.08/270B

Material data

Contact surface tinned

Connectable conductors

| | |
|---|-------------------------|
| Clamping range, min. | 0.13 mm ² |
| Clamping range, max. | 3.31 mm ² |
| AWG, min. | 26 |
| AWG, max. | 12 |
| Solid, min. H05(07) V-U | 0.2 mm ² |
| Solid, max. H05(07) V-U | 2.5 mm ² |
| Flexible, min. H05(07) V-K | 0.2 mm ² |
| Flexible, max. H05(07) V-K | 2.5 mm ² |
| With wire end ferrule, acc. to DIN 46 228/1, min. | 0.2 mm ² |
| With wire end ferrule, acc. to DIN 46 228/1, max. | 2.5 mm ² |
| w. plastic collar ferrule, DIN 46228 pt 4, min. | 0.2 mm ² |
| w. plastic collar ferrule, DIN 46228 pt 4, max. | 2.5 mm ² |
| Gauge to EN 60999 a x b; ø | 2.8 mm x 2.0 mm; 2.4 mm |

DIN IEC rating data

| | |
|--|-------------------|
| Rated current, min. No. pins (Tu=20°C) | 15 A |
| Rated current, max. No. pins (Tu=20°C) | 12 A |
| Rated current, min. No. pins (Tu=40°C) | 12 A |
| Rated current, max. No. pins (Tu=40°C) | 10 A |
| Rated voltage for overvoltage class/pollution severity II/2 | 400 V |
| Rated voltage for overvoltage class/pollution severity III/2 | 320 V |
| Rated voltage for overvoltage class/pollution severity III/3 | 250 V |
| Rated impulse withstand voltage for overvoltage class/pollution severity II/2 | 4 kV |
| Rated impulse withstand voltage for overvoltage class/pollution severity III/2 | 4 kV |
| Rated impulse withstand voltage for overvoltage class/pollution severity III/3 | 4 kV |
| Short-time withstand current resistance | 3 x 1s with 120 A |

CSA rating data

| | |
|------------------------------------|-------|
| Rated voltage (Use group D) | 300 V |
| Rated current (Use group D) | 10 A |
| AWG conductor (field wiring), min. | 26 |
| AWG conductor (field wiring), max. | 12 |

UL 1059 rating data

| | |
|-----------------------------|-------|
| Rated voltage (Use group D) | 300 V |
| Rated current (Use group D) | 10 A |
| AWG conductor, min. | 26 |
| AWG conductor, max. | 12 |

Approvals

Approvals institutes


Classifications

| | |
|------------|-------------|
| ETIM 2.0 | NK |
| ETIM 3.0 | EC001284 |
| eClass 4.1 | 27-26-07-01 |
| eClass 5.0 | 27-26-07-01 |
| eClass 5.1 | 27-26-07-04 |

Similar products

| Order No. | Part designation | Version |
|------------|-----------------------|---|
| 1559660000 | BLZ 5.08/2/270B SN OR | PCB plug-in connector, Female connectors, Clamping yoke connection, Clamping range, max.: 3.31 mm ² , Pitch: 5.08 mm, No. of poles: 2, 270°, Box |
| 1559610000 | BLZ 5.08/2/270B SN SW | PCB plug-in connector, Female connectors, Clamping yoke connection, Clamping range, max.: 3.31 mm ² , Pitch: 5.08 mm, No. of poles: 2, 270°, Box |
| 1559760000 | BLZ 5.08/3/270B SN OR | PCB plug-in connector, Female connectors, Clamping yoke connection, Clamping range, max.: 3.31 mm ² , Pitch: 5.08 mm, No. of poles: 3, 270°, Box |
| 1559710000 | BLZ 5.08/3/270B SN SW | PCB plug-in connector, Female connectors, Clamping yoke connection, Clamping range, max.: 3.31 mm ² , Pitch: 5.08 mm, No. of poles: 3, 270°, Box |
| 1559860000 | BLZ 5.08/4/270B SN OR | PCB plug-in connector, Female connectors, Clamping yoke connection, Clamping range, max.: 3.31 mm ² , Pitch: 5.08 mm, No. of poles: 4, 270°, Box |
| 1559810000 | BLZ 5.08/4/270B SN SW | PCB plug-in connector, Female connectors, Clamping yoke connection, Clamping range, max.: 3.31 mm ² , Pitch: 5.08 mm, No. of poles: 4, 270°, Box |
| 1559960000 | BLZ 5.08/5/270B SN OR | PCB plug-in connector, Female connectors, Clamping yoke connection, Clamping range, max.: 3.31 mm ² , Pitch: 5.08 mm, No. of poles: 5, 270°, Box |
| 1559910000 | BLZ 5.08/5/270B SN SW | PCB plug-in connector, Female connectors, Clamping yoke connection, Clamping range, max.: 3.31 mm ² , Pitch: 5.08 mm, No. of poles: 5, 270°, Box |
| 1560060000 | BLZ 5.08/6/270B SN OR | PCB plug-in connector, Female connectors, Clamping yoke connection, Clamping range, max.: 3.31 mm ² , Pitch: 5.08 mm, No. of poles: 6, 270°, Box |
| 1560010000 | BLZ 5.08/6/270B SN SW | PCB plug-in connector, Female connectors, Clamping yoke connection, Clamping range, max.: 3.31 mm ² , Pitch: 5.08 mm, No. of poles: 6, 270°, Box |
| 1560160000 | BLZ 5.08/7/270B SN OR | PCB plug-in connector, Female connectors, Clamping yoke connection, Clamping range, max.: 3.31 mm ² , Pitch: 5.08 mm, No. of poles: 7, 270°, Box |

Product catalogue | PCB connection systems | PCB plug-in connectors | Pitch 5.00 / 5.08 mm (0.197 / 0.200 inch) | Socket connectors, tension clamp connection, pitch 5.00/5.08 | BLZ 5.00-5.08/90/270 | BLZ 5.08/270B

| | | |
|------------|------------------------|--|
| 1560110000 | BLZ 5.08/7/270B SN SW | PCB plug-in connector, Female connectors, Clamping yoke connection, Clamping range, max.: 3.31 mm ² , Pitch: 5.08 mm, No. of poles: 7, 270°, Box |
| 1560260000 | BLZ 5.08/8/270B SN OR | PCB plug-in connector, Female connectors, Clamping yoke connection, Clamping range, max.: 3.31 mm ² , Pitch: 5.08 mm, No. of poles: 8, 270°, Box |
| 1560210000 | BLZ 5.08/8/270B SN SW | PCB plug-in connector, Female connectors, Clamping yoke connection, Clamping range, max.: 3.31 mm ² , Pitch: 5.08 mm, No. of poles: 8, 270°, Box |
| 1560360000 | BLZ 5.08/9/270B SN OR | PCB plug-in connector, Female connectors, Clamping yoke connection, Clamping range, max.: 3.31 mm ² , Pitch: 5.08 mm, No. of poles: 9, 270°, Box |
| 1560460000 | BLZ 5.08/10/270B SN OR | PCB plug-in connector, Female connectors, Clamping yoke connection, Clamping range, max.: 3.31 mm ² , Pitch: 5.08 mm, No. of poles: 10, 270°, Box |
| 1560410000 | BLZ 5.08/10/270B SN SW | PCB plug-in connector, Female connectors, Clamping yoke connection, Clamping range, max.: 3.31 mm ² , Pitch: 5.08 mm, No. of poles: 10, 270°, Box |
| 1560560000 | BLZ 5.08/11/270B SN OR | PCB plug-in connector, Female connectors, Clamping yoke connection, Clamping range, max.: 3.31 mm ² , Pitch: 5.08 mm, No. of poles: 11, 270°, Box |
| 1560510000 | BLZ 5.08/11/270B SN SW | PCB plug-in connector, Female connectors, Clamping yoke connection, Clamping range, max.: 3.31 mm ² , Pitch: 5.08 mm, No. of poles: 11, 270°, Box |
| 1560660000 | BLZ 5.08/12/270B SN OR | PCB plug-in connector, Female connectors, Clamping yoke connection, Clamping range, max.: 3.31 mm ² , Pitch: 5.08 mm, No. of poles: 12, 270°, Box |
| 1560610000 | BLZ 5.08/12/270B SN SW | PCB plug-in connector, Female connectors, Clamping yoke connection, Clamping range, max.: 3.31 mm ² , Pitch: 5.08 mm, No. of poles: 12, 270°, Box |
| 1560760000 | BLZ 5.08/13/270B SN OR | PCB plug-in connector, Female connectors, Clamping yoke connection, Clamping range, max.: 3.31 mm ² , Pitch: 5.08 mm, No. of poles: 13, 270°, Box |
| 1560860000 | BLZ 5.08/14/270B SN OR | PCB plug-in connector, Female connectors, Clamping yoke connection, Clamping range, max.: 3.31 mm ² , Pitch: 5.08 mm, No. of poles: 14, 270°, Box |
| 1560960000 | BLZ 5.08/15/270B SN OR | PCB plug-in connector, Female connectors, Clamping yoke connection, Clamping range, max.: 3.31 mm ² , Pitch: 5.08 mm, No. of poles: 15, 270°, Box |
| 1561060000 | BLZ 5.08/16/270B SN OR | PCB plug-in connector, Female connectors, Clamping yoke connection, Clamping range, max.: 3.31 mm ² , Pitch: 5.08 mm, No. of poles: 16, 270°, Box |
| 1561160000 | BLZ 5.08/17/270B SN OR | PCB plug-in connector, Female connectors, Clamping yoke connection, Clamping range, max.: 3.31 mm ² , Pitch: 5.08 mm, No. of poles: 17, 270°, Box |
| 1561260000 | BLZ 5.08/18/270B SN OR | PCB plug-in connector, Female connectors, Clamping yoke connection, Clamping range, max.: 3.31 mm ² , Pitch: 5.08 mm, No. of poles: 18, 270°, Box |
| 1561460000 | BLZ 5.08/20/270B SN OR | PCB plug-in connector, Female connectors, Clamping yoke connection, Clamping range, max.: 3.31 mm ² , Pitch: 5.08 mm, No. of poles: 20, 270°, Box |

| | | |
|------------|------------------------|--|
| 1561560000 | BLZ 5.08/21/270B SN OR | PCB plug-in connector, Female connectors, Clamping yoke connection, Clamping range, max.: 3.31 mm ² , Pitch: 5.08 mm, No. of poles: 21, 270°, Box |
| 1561660000 | BLZ 5.08/22/270B SN OR | PCB plug-in connector, Female connectors, Clamping yoke connection, Clamping range, max.: 3.31 mm ² , Pitch: 5.08 mm, No. of poles: 22, 270°, Box |
| 1561760000 | BLZ 5.08/23/270B SN OR | PCB plug-in connector, Female connectors, Clamping yoke connection, Clamping range, max.: 3.31 mm ² , Pitch: 5.08 mm, No. of poles: 23, 270°, Box |
| 1561860000 | BLZ 5.08/24/270B SN OR | PCB plug-in connector, Female connectors, Clamping yoke connection, Clamping range, max.: 3.31 mm ² , Pitch: 5.08 mm, No. of poles: 24, 270°, Box |