

Excellent Integrated System Limited

Stocking Distributor

Click to view price, real time Inventory, Delivery & Lifecycle Information:

[Knowles](#)

[TO-30034-000](#)

For any questions, you can email us directly:

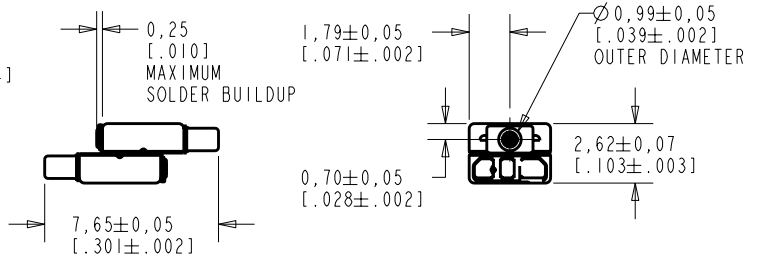
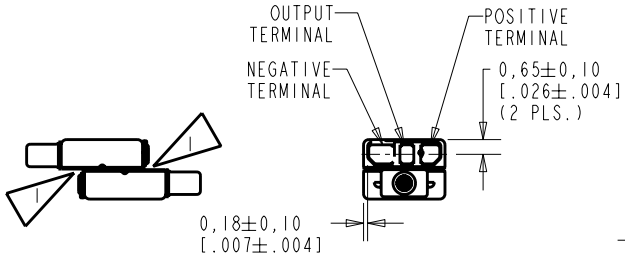
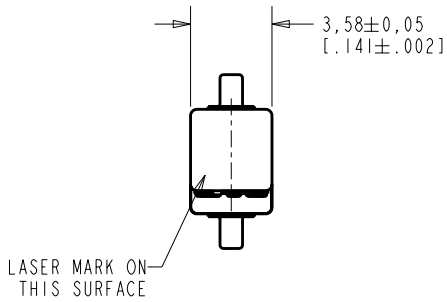
sales@integrated-circuit.com

TO-30034-000

SHT 1.1

NOTES:

ADHESIVE BLEEDOUT BETWEEN TOP & BOTTOM MICROPHONE 0,10 [.004] MAXIMUM.



NOMINAL WEIGHT
.126 GRAMS

DIMENSIONS IN MILLIMETERS [INCHES]



Revision	C.O. #	Implementation Date	RELEASE LEVEL	REVISION
---	---	---	Released	B
B	MI0101520	7-16-07		
A	MI0101219	8-7-06		

KNOWLES ELECTRONICS
ITASCA, ILLINOIS U.S.A.

SCALE:	4:1		DR. BY	DATE
DO NOT SCALE DRAWING				
TITLE:	MICROPHONE TANDEM	TO-30034-000	CK. BY	DATE
OUTLINE DRAWING			GJP	8-10-06
SHT 1.1			APP. BY	DATE
			GJP	8-10-06

KE111ASIZE.FRM

Rev: B

TANDEM PAIR
MICROPHONES

TO-30034-000
SHEET 2.1

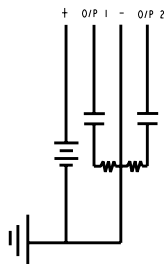
PAIR	CONSIST OF:
TO-30034-000	(2) TO-30043-000

BOTH MICROPHONES OF THE PAIR ARE TESTED TO TO-30043-000 2.1 SHEET AND THEN MATCHED TO THE OTHER MICROPHONE USING THE SPECIFICATIONS AND CONDITIONS BELOW:

FREQUENCY	TEST TYPE	RANGE OF DEVIATION BETWEEN MICROPHONES	UNITS
500 Hz	SENSITIVITY	1.0 MAX.	dBV
200 Hz	PHASE	1.5 MAX.	DEGREES
2000 Hz	SENSITIVITY	1.0 MAX.	dBV
PEAK	SENSITIVITY (RE 1kHz SENSITIVITY)	1.5 MAX.	dBV
PEAK	FREQUENCY	250 MAX.	Hz

NOTES:

1. DC SUPPLY VOLTAGE .930 VOLTS.
2. TESTED WITH 26 kΩ LOAD AND 1μF CAPACITOR COUPLED TO THE OUTPUT. SEE SCHEMATIC.
3. SENSITIVITY AND PHASE VALUES INDICATED ARE VALID AT 50% RH.
4. LOADS AND CAPACITANCE FROM NOTE 2 MUST BE REMOVED PRIOR TO TESTING FOR IMPEDANCE.



<<< AND GREEN STRIP INDICATES UNIT WITH SMALLER PHASE RESPONSE AT 200 Hz