

Excellent Integrated System Limited

Stocking Distributor

Click to view price, real time Inventory, Delivery & Lifecycle Information:

[Triad Magnetics](#)
[C-56U](#)

For any questions, you can email us directly:
sales@integrated-circuit.com



Inductors

C-56U

Description:

Smoothing chokes are power supply filter chokes having a core with an air gap which prevents saturation at maximum current. Hipot to 1500 VRMS between winding and core for safety.

Electrical Specifications (@25C):

Current DC Amps	Inductance †† Henries	Resistance Ohms
2.0	0.035*	0.79

†† = Inductance tolerance -20%, + 50 %

*Inductance at rated DC current

Dimensions:

Unit: In inches

A	B	C	D	E
2.250 typ.	2.625 typ.	2.60 typ.	2.187±0.030	2.00±0.060

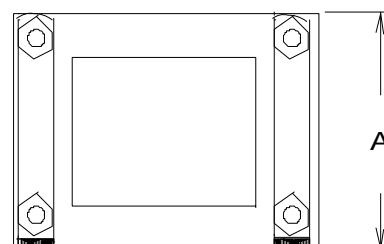
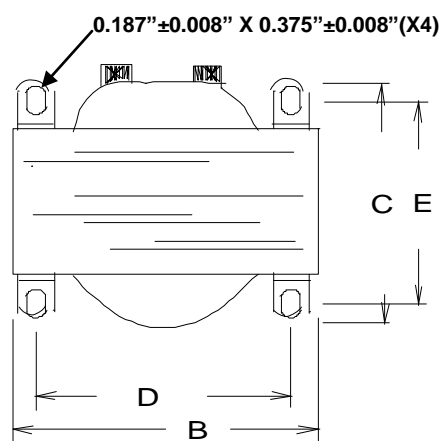
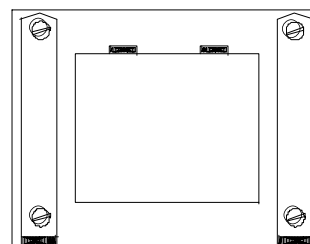
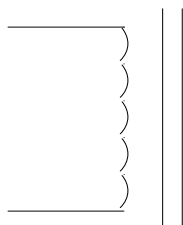
Notes:

1. Weight: 2.0 lbs.
2. Terminal size: 0.187"±0.008" X 0.021"±0.008".

Safety:

UL: File E50476 (Insulation system), Class B (130°C)

Schematic:



RoHS Compliance: As of manufacturing date February 2005, all standard products meet the requirements of 2011/65/EU, known as the RoHS initiative.

* Upon printing, this document is considered "uncontrolled". Please contact Triad Magnetics' website for the most current version.