

## Excellent Integrated System Limited

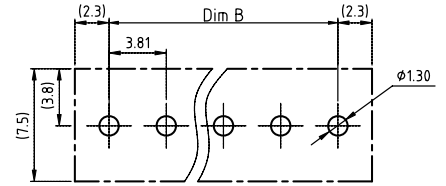
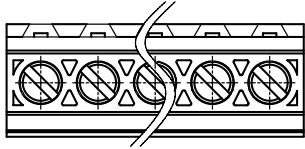
Stocking Distributor

Click to view price, real time Inventory, Delivery & Lifecycle Information:

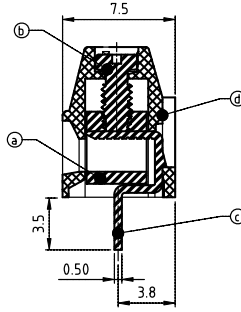
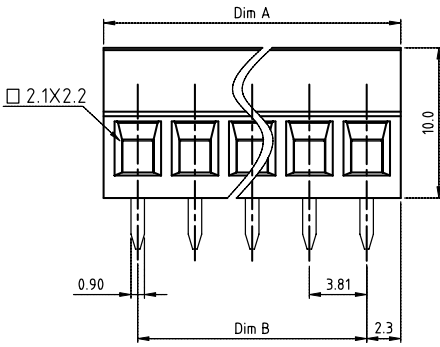
[FCI](#)  
[ED02315000J0G](#)

For any questions, you can email us directly:  
[sales@integrated-circuit.com](mailto:sales@integrated-circuit.com)

PRODUCT NUMBER	PITCH
EDxx31x000JOG	3.81mm



RECOMMENDED P.C.B LAYOUT  
TOP VIEW



**Material**

- Item a Clamp : Brass , Ni plated
- Item b Terminal screw : Steel Zinc plating: "-" slot type
- Item c solder pin : Brass , Tin plated
- Item d Terminal housing : Thermoplastic (UL94V-0)

**Electricals**

- Voltage rating: 300VAC
- Current rating: 8A
- Wire range:
- Solid wire(AWG): 16-24
- Stranded wire(AWG):16-24
- Torque(Lb-In): 2.17
- Screw: M2
- Wire strip length: 6-7mm
- Withstanding Voltage: 1.6KV
- Operating temperature: -40°C to +115°C
- Soldering temperature: 260°C±5°C/5 Sec
- Safety Approval: cULus

N=Number of poles  
Dimension A&B

Dim A	(N-1)×3.81+4.55
Dim B	(N-1)×3.81

Poles	Dim A & B Tolerance
2P-4P	±0.15
5P-8P	±0.20
9P-16P	±0.30
17P-24P	±0.40

PART NO.: ED xx 3 1 x 0 00J G

- |              |          |                     |                     |                 |
|--------------|----------|---------------------|---------------------|-----------------|
| Solid Block  | 0        | Color               | 0 Black (RAL9005)   | RoHS compliant  |
| No. of poles | 2        | 2 Red (RAL3001/D)   | 3 Orange(RAL2011/P) | (lead<4%)       |
| 03           | 3 poles  | 4 Yellow(RAL1018/A) | 5 Green(RAL6018/T)  | In copper Alloy |
| ...          | ...      | 6 Blue (RAL5015/A)  | 8 Grey(RAL7035/D)   |                 |
| 24           | 24 poles | 9 White(RAL1102)    | C Green(RAL6018/U)  |                 |

mat'l. code	surface ASME Y14.5	tolerance ASME Y14.5	projection	product family
ltr	ecn	no	dr	date
tolerances unless otherwise specified				TERMINAL BLOCK
angles	mm	X.±0.5	X.X±0.3	X.XX±0.1
dr	ENGR	EVIN ZHONG	040714	040714
enr	EVIN ZHONG	040714	040714	040714
chr	HANKE FENG	040714	040714	040714
appd	SHI JUN	040714	040714	040714
sheet index	revision sheet	A 1		
title				TERMINAL BLOCK
RISING CLAMP,SOLID BLOCK,180D WIRE INLET				sheet 1 of 1
dwg no				EDxx31x000JOG
type				CUSTOMER Drawing