

Excellent Integrated System Limited

Stocking Distributor

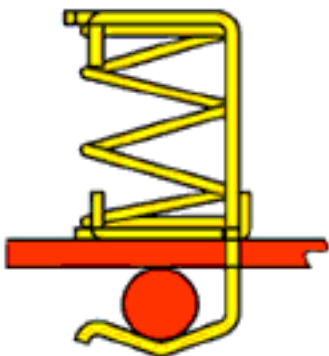
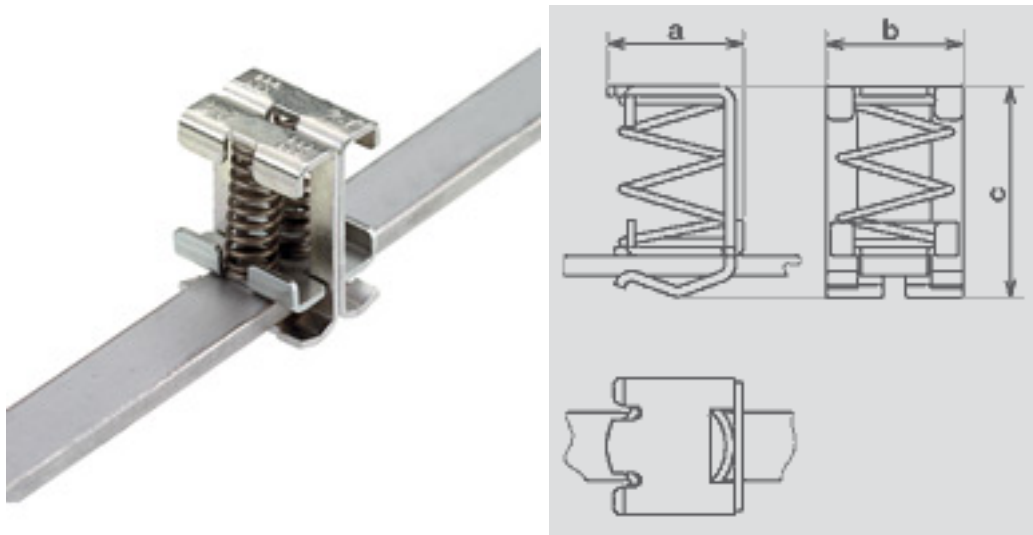
Click to view price, real time Inventory, Delivery & Lifecycle Information:

[Weidmüller](#)
[1675350000](#)

For any questions, you can email us directly:

sales@integrated-circuit.com

Product catalogue | Terminals | Other conductor connectors | Shielding connection clamps (KLBÜ) | for 10 x 3 busbars | cable fixed from below



General ordering data

Order No.	1675350000
Part designation	KLBUE 2X2-6
Version	Modular terminal, accessories, Retaining clip for shield connection
EAN	4008190450083
Qty.	10 pc(s).

PT OKIECEEx/ATEX rating data

Marking EN 60079-7	Ex e II
Marking ATEX Directive 94/9/EC	Ex II 2 G D

Dimensions

Length	24 mm
Height	18 mm

EN 60079-7 rating data

EC conformity verification certificate	DMT 02ATEX E024 U
--	-------------------

Product catalogue | Terminals | Other conductor connectors | Shielding connection clamps (KLBÜ) | for 10 x 3 busbars | cable fixed from below

EN 60079-7 rating data

Marking ATEX Directive 94/9/EC	II 2 G D
Marking ATEX Directive 94/9/EC	Ex II 2 G D
Marking EN 60079-7	Ex e II

Wire clamp for cable diameter

Cable diameter, min	2 mm
Cable diameter, max.	6 mm

Approvals

Approvals institutes

ATEX

Downloads

STEP	1675350000_22291_KLBUE_2X2-6_STP.stp
------	--------------------------------------

Classifications

ETIM 2.0	NK
ETIM 3.0	NK
eClass 4.1	NK
eClass 5.0	NK
eClass 5.1	NK

Similar products

Order No.	Part designation	Version
1592810000	KLBUE 4-13.5	Modular terminal, accessories, Retaining clip for shield connection
1600490000	KLBUE 10-20	Modular terminal, accessories, Retaining clip for shield connection
1716300000	KLBUE 15-32	Modular terminal, accessories, Retaining clip for shield connection