

## Excellent Integrated System Limited

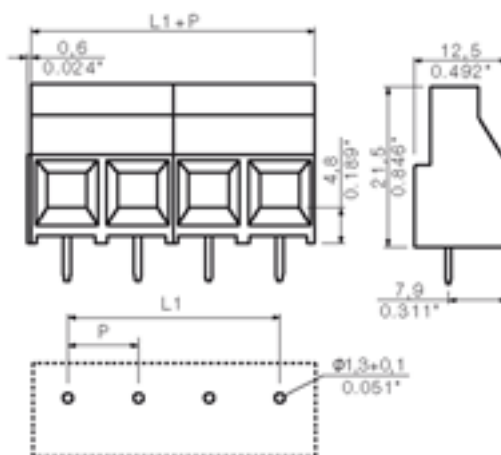
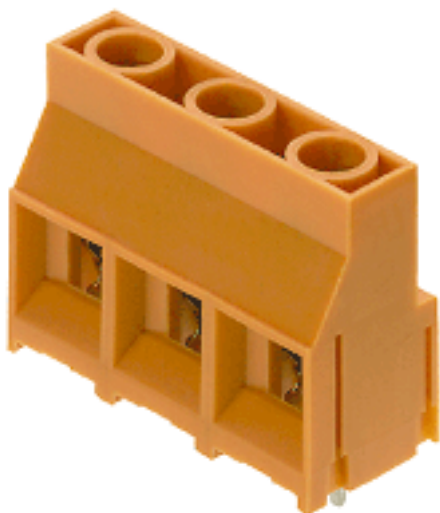
Stocking Distributor

Click to view price, real time Inventory, Delivery & Lifecycle Information:

[Weidmüller](#)  
[1724690000](#)

For any questions, you can email us directly:

[sales@integrated-circuit.com](mailto:sales@integrated-circuit.com)



#### General ordering data

Order No.	1724690000
Part designation	LL 9.52/3/90 5.0 OR
Version	PCB terminal, Clamping yoke connection, Soldered connection, Clamping range, max.: 6 mm <sup>2</sup> , Pitch: 9.52 mm, No. of poles: 3, 90°, Box
EAN	4008190959784
Qty.	100 pc(s).

#### System parameters

Product family	System LL
Conductor connection system	Clamping yoke connection
Fitted to PCB	Soldered connection
Outgoing direction of conductor	90°
Pitch	9.52 mm
Pitch in inch	0.375 inch
No. of poles	3
Fitted by customer	yes
Max. adjacent poles per row	12
No. of rows	1
Solder pin length	5 mm
Dia. of fitting hole	1.3 mm
Fitting hole tolerance	+ 0.1 mm
No. of solder pins per pole	1

**System parameters**

Screwdriver blade	0.8 x 4.0
Screwdriver blade standard	DIN 5264
Tightening torque, min.	0.5 Nm
Tightening torque, max.	0.6 Nm
Clamping screw	M 3
Stripping length	7 mm
L1 in mm	19.04 mm
L1 in inch	0.75 inch
Electric shock protection to DIN VDE 0470	IP 20
Electric shock protection to DIN VDE 0470	Safe from finger touch

**Material data**

Insulating material	Wemid (PA)
Colour	orange
colour chart	Similar to RAL 2000
Insulating material group	I
Flammability class UL 94	V-0
CTI	>= 600
Contact base material	Copper alloy
Contact surface	tinned
Storage temperature, min.	-25 °C
Storage temperature, max.	55 °C

**Connectable conductors**

Clamping range, min.	0.18 mm <sup>2</sup>
Clamping range, max.	6 mm <sup>2</sup>
AWG, min.	26
AWG, max.	10
Solid, min. H05(07) V-U	0.18 mm <sup>2</sup>
Solid, max. H05(07) V-U	6 mm <sup>2</sup>
Flexible, min. H05(07) V-K	0.22 mm <sup>2</sup>
Flexible, max. H05(07) V-K	4 mm <sup>2</sup>
With wire end ferrule, acc. to DIN 46 228/1, min.	0.5 mm <sup>2</sup>
With wire end ferrule, acc. to DIN 46 228/1, max.	2.5 mm <sup>2</sup>
w. plastic collar ferrule, DIN 46228 pt 4, min.	0.5 mm <sup>2</sup>
w. plastic collar ferrule, DIN 46228 pt 4, max.	2.5 mm <sup>2</sup>
Gauge to EN 60999 a x b; ø	3.6 mm x 3.1 mm; 2.7 mm

**DIN IEC rating data**

Rated current, min. No. pins (Tu=20°C)	32 A
Rated current, max. No. pins (Tu=20°C)	32 A
Rated current, min. No. pins (Tu=40°C)	32 A
Rated current, max. No. pins (Tu=40°C)	32 A
Rated voltage for overvoltage class/pollution severity II/2	1,000 V
Rated voltage for overvoltage class/pollution severity III/2	1,000 V
Rated voltage for overvoltage class/pollution severity III/3	690 V
Rated impulse withstand voltage for overvoltage class/pollution severity II/2	6 kV

#### DIN IEC rating data

Rated impulse withstand voltage for overvoltage class/pollution severity III/2	8 kV
Rated impulse withstand voltage for overvoltage class/pollution severity III/3	8 kV
Short-time withstand current resistance	3 x 1s with 120 A

#### CSA rating data

Rated current (Use group C)	35 A
Rated voltage (Use group C)	300 V
AWG conductor (field wiring), min.	26
AWG conductor (field wiring), max.	10

#### UL 1059 rating data

Rated voltage (Use group C)	300 V
Rated current (Use group C)	30 A
AWG conductor, min.	26
AWG conductor, max.	10

#### Approvals

Approvals institutes



#### Downloads

CAD Library (P-CAD Format - Standard)	LL.lib
---------------------------------------	--------

#### Classifications

ETIM 2.0	NK
ETIM 3.0	EC001284
eClass 4.1	NK
eClass 5.0	NK
eClass 5.1	NK

#### Similar products

Order No.	Part designation	Version
1724680000	LL 9.52/2/90 5.0 OR	PCB terminal, Clamping yoke connection, Soldered connection, Clamping range, max.: 6 mm <sup>2</sup> , Pitch: 9.52 mm, No. of poles: 2, 90°, Box
1724700000	LL 9.52/2/90 5.0 SW	PCB terminal, Clamping yoke connection, Soldered connection, Clamping range, max.: 6 mm <sup>2</sup> , Pitch: 9.52 mm, No. of poles: 2, 90°, Box

1912970000	LL 9.52/2/90 5.0 GR	PCB terminal, Clamping yoke connection, Soldered connection, Clamping range, max.: 6 mm <sup>2</sup> , Pitch: 9.52 mm, No. of poles: 2, 90°, Box
1724720000	LL 9.52/2/90 5.0 GN	PCB terminal, Clamping yoke connection, Soldered connection, Clamping range, max.: 6 mm <sup>2</sup> , Pitch: 9.52 mm, No. of poles: 2, 90°, Box
1724710000	LL 9.52/3/90 5.0 SW	PCB terminal, Clamping yoke connection, Soldered connection, Clamping range, max.: 6 mm <sup>2</sup> , Pitch: 9.52 mm, No. of poles: 3, 90°, Box
1912980000	LL 9.52/3/90 5.0 GR	PCB terminal, Clamping yoke connection, Soldered connection, Clamping range, max.: 6 mm <sup>2</sup> , Pitch: 9.52 mm, No. of poles: 3, 90°, Box
1724730000	LL 9.52/3/90 5.0 GN	PCB terminal, Clamping yoke connection, Soldered connection, Clamping range, max.: 6 mm <sup>2</sup> , Pitch: 9.52 mm, No. of poles: 3, 90°, Box