

## Excellent Integrated System Limited

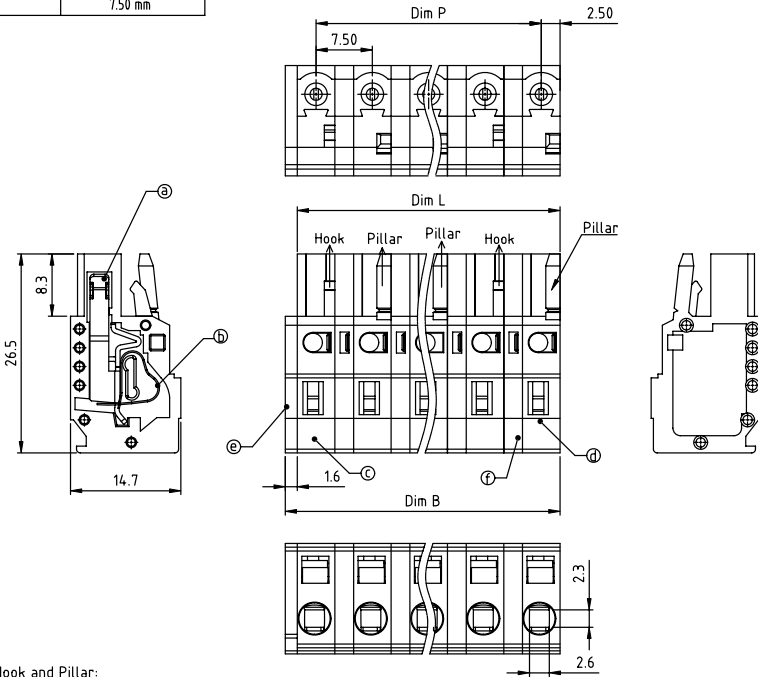
Stocking Distributor

Click to view price, real time Inventory, Delivery & Lifecycle Information:

[FCI](#)  
[HI02205000J0G](#)

For any questions, you can email us directly:  
[sales@integrated-circuit.com](mailto:sales@integrated-circuit.com)

PRODUCT NUMBER	PITCH
Hlxx20x000J0G	7.50 mm



Layout of Hook and Pillar:

2P	Hook+Pillar
3P	Hook+Hook+Pillar
4P	Hook+Pillar+Hook+Pillar
5P	Hook+Pillar+Pillar+Hook+Pillar
5P over	Hook+Pillar+...+Pillar+Hook+Pillar

DIMENSION	Poles	Tolerance
Dim L=N×7.5-2.5	2P-4P	±0.15
Dim P=(N-1)×7.5	5P-8P	±0.25
Dim B=N×7.5-0.9	9P-12P	±0.30
N=Number of poles	13P-16P	±0.40

PART NO.: HI xx 20 x 0 00J0 G

End stackable	No. of poles	Color	RoHS compliant
0	2	Black (RAL9005)	Black (RAL9005)
02	2	Red (RAL3001/D)	Red (RAL3001/D)
03	3	Orange(RAL2011/P)	Orange(RAL2011/P)
...	...	Yellow(RAL1018/A)	Yellow(RAL1018/A)
...	...	Green(RAL6018/T)	Green(RAL6018/T)
16	16	Blue (RAL5015/A)	Blue (RAL5015/A)
		Grey(RAL7035/D)	Grey(RAL7035/D)
		White(RAL1102)	White(RAL1102)
		Green(RAL6018/U)	Green(RAL6018/U)

RoHS compliant (lead<4%) in copper Alloy

- Material:
- Item ① Female contact: PhBz Tin plated
  - Item ② Spring Clamp: Stainless steel
  - Item ③ Terminal housing (With hook): Thermoplastic (UL94V-0)
  - Item ④ Terminal housing (With Pillar): Thermoplastic (UL94V-0)
  - Item ⑤ Terminal (cover): Thermoplastic (UL94V-0)
  - Item ⑥ Pad board: Thermoplastic (UL94V-0)
- Electrical:
- Voltage rating: cULus 300 V
  - Current rating: 15 A (mated with 0Q series) 8A (mated with NC and NB series)
  - Wire range:
    - Solid wire(AWG): 12-28
    - Stranded wire(AWG): 12-28
    - Wire strip length: 8-9 mm
    - Withstanding Voltage: 1.6KV
    - Operating temperature: -40°C to +115°C
    - Safety Approval:

mat'l. code	surface ASME Y14.5 ✓	tolerance ASME Y14.5	projection 	product family TERMINAL BLOCK
ltr	ecn	no	dr	date
tolerances unless otherwise specified				title TERMINAL BLOCK SPRING CLAMP, PLUGGABLE PLUG
angles	X.±0.5		scale	
X'±1'	X.X±0.3		MM	
dr	EVIN ZHONG	051414	dwg no	sheet 1 of 1
enrg	EVIN ZHONG	051414	Hlxx20x000J0G	A4
chr	HANKE FENG	051414	type	CUSTOMER Drawing
appd	SHI JUN	051414		
sheet index	revision sheet	A 1		