

Excellent Integrated System Limited

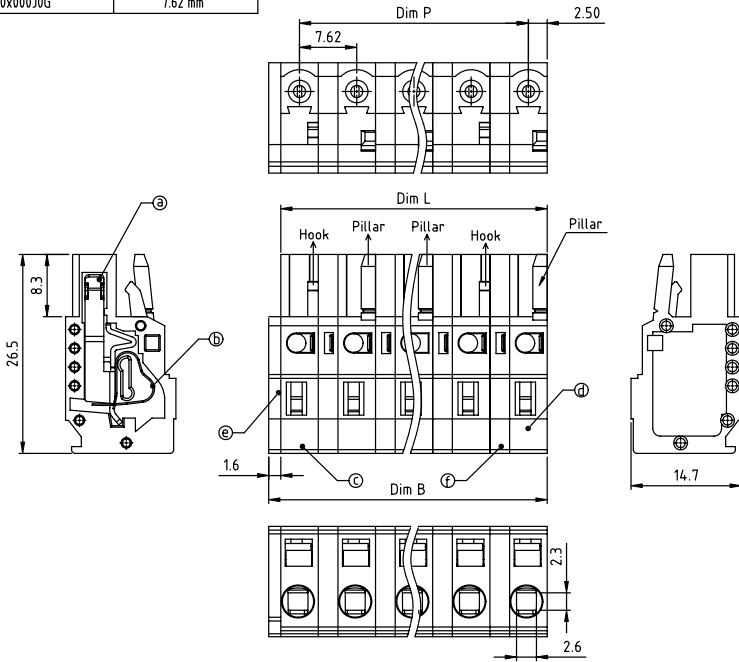
Stocking Distributor

Click to view price, real time Inventory, Delivery & Lifecycle Information:

[FCI](#)
[HI02305000J0G](#)

For any questions, you can email us directly:
sales@integrated-circuit.com

PRODUCT NUMBER	PITCH
Hlxx30x000J0G	7.62 mm



- Material:**
- Item (a) Female contact: PhBz Tin plated
 - Item (b) Spring Clamp: Stainless steel
 - Item (c) Terminal housing (With hook): Thermoplastic (UL94V-0)
 - Item (d) Terminal housing (With Pillar): Thermoplastic (UL94V-0)
 - Item (e) Terminal (cover): Thermoplastic (UL94V-0)
 - Item (f) Pad board: Thermoplastic (UL94V-0)

- Electrical:**
- Voltage rating: 300 V
 - Current rating: 15 A (mated with 00 series)
 - Wire range:
 - Solid wire(AWG): 12-28
 - Stranded wire(AWG): 12-28
 - Wire strip length: 8-9mm
 - Withstanding Voltage: 1.6KV
 - Operating temperature: -40°C to +115°C
 - Safety Approval:

Layout of Hook and Pillar:

2P	Hook+Pillar
3P	Hook+Hook+Pillar
4P	Hook+Pillar+Hook+Pillar
5P	Hook+Pillar+Pillar+Hook+Pillar
5P over	Hook+Pillar+...+Pillar+Hook+Pillar

PART NO.: HI xx 30 x 0 00J0 G

End stackable	0	Color	Black (RAL9005)	RoHS compliant
No. of poles	2		Red (RAL3001/D)	(lead<4%)
02	2 poles		Orange(RAL2011/P)	In copper Alloy
03	3 poles		Yellow(RAL1018/A)	
...	...		5 Green(RAL6018/T)	
16	16 poles		6 Blue (RAL5015/A)	
			8 Grey(RAL7035/D)	
			9 White(RAL1102)	
			C Green(RAL6018/U)	

DIMENSION

Dim L=N×7.62-2.62
Dim P=(N-1)×7.62
Dim B=N×7.62-1.02

N=Number of poles

Poles	Tolerance
2P-4P	±0.15
5P-8P	±0.25
9P-12P	±0.30
13P-16P	±0.40

mat'l. code	surface ASME Y14.5	tolerance ASME Y14.5	projection	product family TERMINAL BLOCK
tr	ecn	no	dr	date
tolerances unless otherwise specified				title TERMINAL BLOCK SPRING CLAMP, PLUGGABLE PLUG
angles	X.±0.5	X.X±0.3	X.X±0.1	scale
dr	EVIN ZHONG	051414		dwg no
enrg	EVIN ZHONG	051414		sheet 1 of 1
chr	HANKE FENG	051414		size Hlxx30x000J0G A4
appd	SHI JUN	051414		type CUSTOMER Drawing
sheet index	revision sheet	A 1		