

Excellent Integrated System Limited

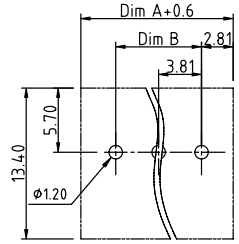
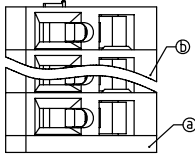
Stocking Distributor

Click to view price, real time Inventory, Delivery & Lifecycle Information:

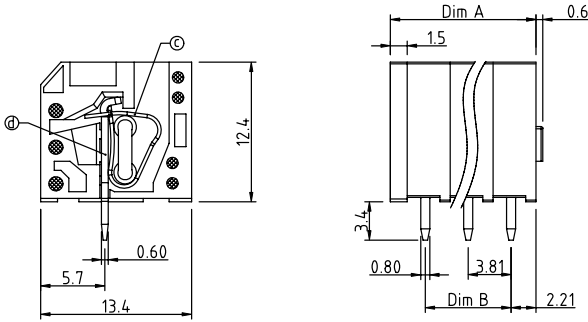
[FCI](#)
[HM02308000J0G](#)

For any questions, you can email us directly:
sales@integrated-circuit.com

PRODUCT NUMBER	PITCH
HMxx30x000J0G	3.81mm



RECOMMENDED P.C.B LAYOUT
TOP VIEW



- Material:
- Item① Insulator(Cover): Thermoplastic (UL94V-0)
 - Item② Insulator(housing): Thermoplastic (UL94V-0)
 - Item③ Spring clamp: Stainless steel
 - Item④ Terminal Body(Solder pin): Brass tin plated

- Electrical:
- Voltage rating: 300V
 - Current rating: 8A
 - Wire range:
 - Solid wire(AWG): 14-28
 - Stranded wire(AWG): 14-28
 - Wire strip length: 5-6mm
 - Withstanding Voltage: 1.6KV
 - Operating temperature: -40°C to +115°C
 - Soldering temperature: 260°C±5°C/5 Sec

N=Number of poles
Dim A=Nx3.81+1.5
Dim B=(N-1)x3.81

Poles	Dim A	Dim B
1p	±0.10	
2-6p	±0.15	±0.15
7-12p	±0.20	±0.20
13-18p	±0.30	±0.25
19-24p	±0.40	±0.30

PART NO.: HM xx 30 x 000J0 G

No. of poles	Color	RoHS compliant
0	Black (RAL9005)	(lead-4%)
End Stackable	Red (RAL3001/D)	In copper Alloy
01 1 poles	Orange(RAL2011/P)	
02 2 poles	Yellow(RAL1018/A)	
...	...	
5	Green(RAL6018/T)	
6	Blue (RAL5015/A)	
8	Grey(RAL7004/P)	
9	White(RAL1102)	
C	Multiple colors	

mat'l. code	surface ASME Y14.5	tolerance ASME Y14.5	projection	product family	TERMINAL BLOCK
ltr	ecn	no	dr	date	title
					TERMINAL BLOCK
					SPRING CLAMP,90D WIRE INLET,DIP SOLDER
					dwg no
					HMxx30x000J0G
					sheet 1 of 1
					size
					A4
					type
					CUSTOMER Drawing
sheet index	revision sheet	A	1		