

Excellent Integrated System Limited

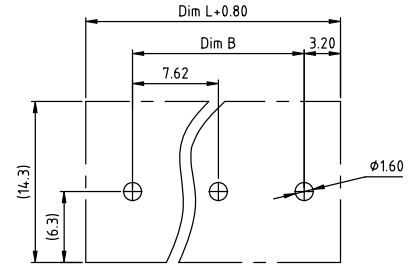
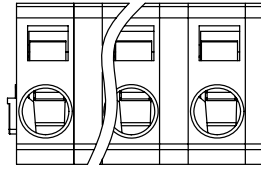
Stocking Distributor

Click to view price, real time Inventory, Delivery & Lifecycle Information:

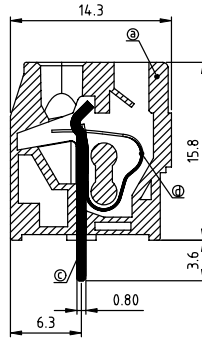
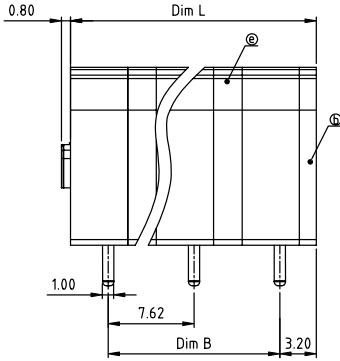
[FCI](#)
[HM02408000J0G](#)

For any questions, you can email us directly:
sales@integrated-circuit.com

PRODUCT NUMBER	PITCH
HMxx40x000J0G	7.62mm



RECOMMENDED P.C.B LAYOUT
TOP VIEW



- Material:**
- Item Insulator body: Thermoplastic (UL94V-0)
 - Item Insulating cover: Thermoplastic (UL94V-0)
 - Item Solder pin: Brass.Tin plated
 - Item Wire guard: Stainless steel
 - Item Pad board: Thermoplastic (UL94V-0)

- Electrical:**
- ULus
 - Voltage rating: 300V
 - Current rating: 8A
 - Wire range:
 - Solid wire(AWG): 12-28
 - Stranded wire(AWG): 12-28
 - Wire strip length: 8-9mm
 - Withstanding Voltage: 1.6KV
 - Operating temperature: -40°C to +115°C
 - Soldering temperature: 260°C±5°C/5 Sec
 - Safety Approval:

N=Number of poles
Dim L=(N-1)×7.62+6.58
Dim B=(N-1)×7.62

Poles	Dim L	Dim B
2-4p	±0.20	±0.15
5-8p	±0.30	±0.25
9-12p	±0.40	±0.35
13-16p	±0.45	±0.40

PART NO.: HM xx 40 x 000J0 G

- | | | | | |
|---------------|---|-------|-------------------|-----------------|
| No. of poles | 0 | Color | Black (RAL9005) | RoHS compliant |
| End Stackable | 2 | | Red (RAL3001/D) | (lead-4%) |
| 02 2 poles | 3 | | Orange(RAL2011/P) | In copper Alloy |
| 03 3 poles | 4 | | Yellow(RAL1018/A) | |
| ... | 5 | | Green(RAL6018/T) | |
| 16 16 poles | 6 | | Blue (RAL5015/A) | |
| | 8 | | Grey(RAL7004/P) | |
| | 9 | | White(RAL1102) | |
| | C | | Multiple colors | |

mat'l. code	surface ASME Y14.5	tolerance ASME Y14.5	projection	product family	TERMINAL BLOCK
ltr	ecn	no	dr	date	title
tolerances unless otherwise specified					TERMINAL BLOCK
angles	X.±0.5		MM	SPRING CLAMP,90D WIRE INLET,DIP SOLDER	
line	X.X±0.3		scale	dwg no	
X'±1'	X.XX±0.1		FCI	sheet 1 of 1	
dr	EVIN ZHONG	052914		size	
enrg	EVIN ZHONG	052914		A4	
chr	HANKE FENG	052914		HMxx40x000J0G	
appd	SHI JUN	052914		type	
sheet	revision	A		CUSTOMER Drawing	
index	sheet	1			