

Excellent Integrated System Limited

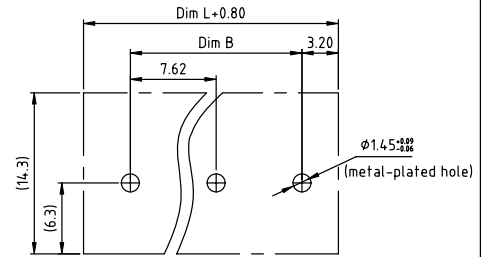
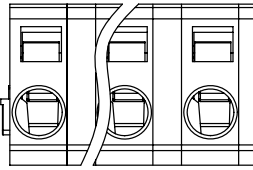
Stocking Distributor

Click to view price, real time Inventory, Delivery & Lifecycle Information:

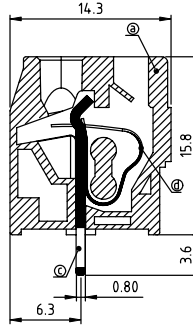
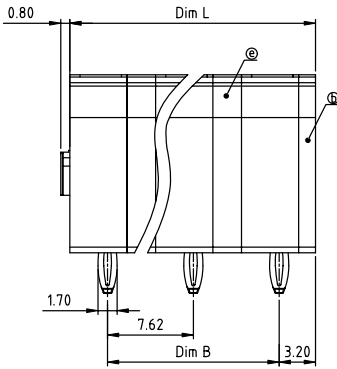
[FCI](#)
[HM02408100J0G](#)

For any questions, you can email us directly:
sales@integrated-circuit.com

PRODUCT NUMBER	PITCH
HMxx40x100JOG	7.62mm



RECOMMENDED P.C.B. LAYOUT
TOP VIEW



- Material:**
- Item①Insulator body: Thermoplastic (UL94V-0)
 - Item②Insulating cover: Thermoplastic (UL94V-0)
 - Item③Solder pin: Brass.Tin plated
 - Item④Wire guard: Stainless steel
 - Item⑤Pad board: Thermoplastic (UL94V-0)

- Electrical:**
- Voltage rating: cULus 300V
 - Current rating: 8A
 - Wire range:
 - Solid wire(AWG): 12-28
 - Stranded wire(AWG): 12-28
 - Wire strip length: 8-9mm
 - Withstanding Voltage: 1.6KV
 - Operating temperature: -40°C to +115°C
 - Soldering temperature: 260°C±5°C/5 Sec
 - Safety Approval:

N=Number of poles
Dim L=(N-1)×7.62+6.58
Dim B=(N-1)×7.62

Poles	Dim L	Dim B
2-4p	±0.20	±0.15
5-8p	±0.30	±0.25
9-12p	±0.40	±0.35
13-16p	±0.45	±0.40

PART NO.: HM xx 40 x 100J0 G

No. of poles	Color	RoHS compliant (lead-4%) In copper Alloy
02 2 poles	Black (RAL9005)	
03 3 poles	Red (RAL3001/D)	
...	Orange(RAL2011/P)	
...	Yellow(RAL1018/A)	
...	Green(RAL6018/T)	
16 16 poles	Blue (RAL5015/A)	
	Grey(RAL7004/P)	
	White(RAL1102)	
	C Multiple colors	

mat'l. code	surface ASME Y14.5	tolerance ASME Y14.5	projection	product family	TERMINAL BLOCK
ltr ecn no dr date	tolerances unless otherwise specified		MM	title	TERMINAL BLOCK
	angles	X.±0.5	scale	SPRING CLAMP,90D WIRE INLET,PRESS FIT	
	X'±1'	X.X±0.3		dwg no	sheet 1 of 1 size
	dr	EVIN ZHONG 052914		HMxx40x100JOG A4	
	enrg	EVIN ZHONG 052914		type	
	chr	HANKE FENG 052914		CUSTOMER Drawing	
	appd	SHI JUN 052914			
sheet index	revision sheet	A 1			