

## Excellent Integrated System Limited

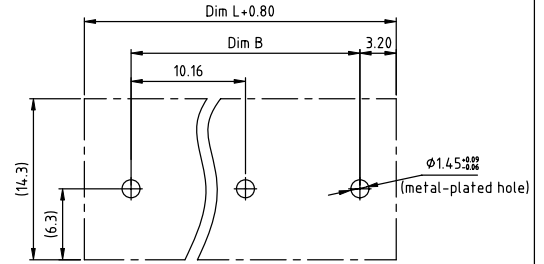
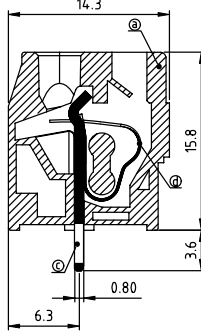
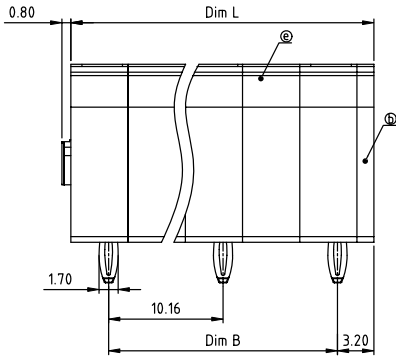
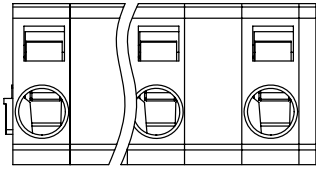
Stocking Distributor

Click to view price, real time Inventory, Delivery & Lifecycle Information:

[FCI](#)  
[HM02608100J0G](#)

For any questions, you can email us directly:  
[sales@integrated-circuit.com](mailto:sales@integrated-circuit.com)

PRODUCT NUMBER	PITCH
HMxx60x100J0G	10.16mm



RECOMMENDED P.C.B LAYOUT  
TOP VIEW

- Material:**
- Item@Insulator body:Thermoplastic (UL94V-0)
  - Item@Insulating cover:Thermoplastic (UL94V-0)
  - Item@Contact pin: Brass.Tin plated
  - Item@Wire guard: Stainless steel
  - Item@Pad board:Thermoplastic( UL94V-0 )

- Electrical:**
- Voltage rating: cULus 250V
  - Current rating: 8A
  - Wire range:
    - Solid wire(AWG): 12-28
    - Stranded wire(AWG): 12-28
    - Wire strip length: 8-9mm  - Withstanding Voltage: 1.5KV
  - Operating temperature: -40°C to +115°C
  - Safety Approval:

N=Number of poles  
Dim L=(N-1)×10.16+6.58  
Dim B=(N-1)×10.16

Poles	Dim L	Dim B
2-4p	±0.20	±0.15
5-7p	±0.30	±0.25
8-10p	±0.40	±0.35
11-12p	±0.45	±0.40

PART NO.: HM xx 60 x 100J0 G

No. of poles	Color	RoHS compliant (lead-4%) In copper Alloy
02 2 poles	Black (RAL9005)	
03 3 poles	Red (RAL3001/D)	
...	Orange(RAL2011/P)	
...	Yellow(RAL1018/A)	
12 12 poles	Green(RAL6018/T)	
...	Blue (RAL5015/A)	
...	Grey(RAL7004/P)	
...	White(RAL1102)	
C	Multiple colors	

mat'l. code	surface ASME Y14.5	tolerance ASME Y14.5	projection	product family
ltr ecn no dr date	tolerances unless otherwise specified		MM	TERMINAL BLOCK
angles	X.±0.5			title
line	X.X±0.3			TERMINAL BLOCK
	X.XX±0.1		scale	SPRING CLAMP,90D WIRE INLET,PRESS FIT
dr	EVIN ZHONG	052914		dwg no
enr	EVIN ZHONG	052914		sheet 1 of 1
chr	HANKE FENG	052914		size
appd	SHI JUN	052914		A4
sheet index	revision sheet	A 1		type
				CUSTOMER Drawing