

Excellent Integrated System Limited

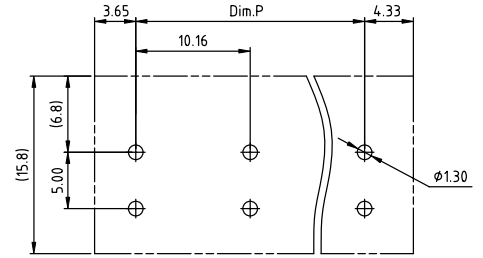
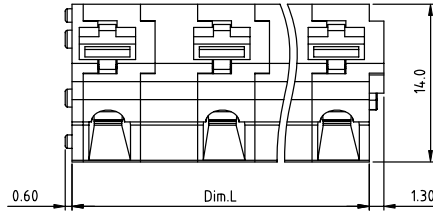
Stocking Distributor

Click to view price, real time Inventory, Delivery & Lifecycle Information:

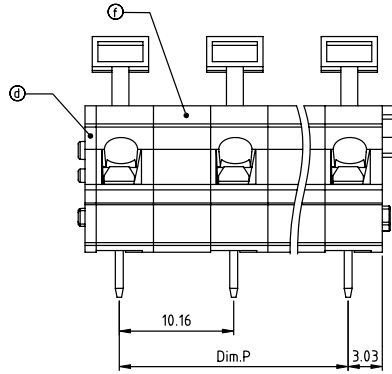
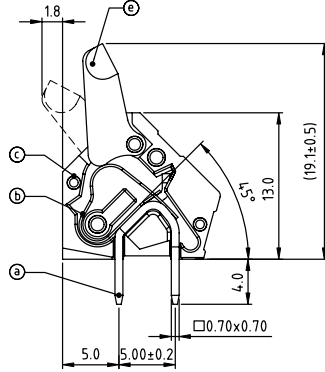
[FCI](#)
[HT02408000J0G](#)

For any questions, you can email us directly:
sales@integrated-circuit.com

PRODUCT NUMBER	PITCH
HTxx40x000JOG	10.16mm



RECOMMENDED P.C.B LAYOUT
TOP VIEW



Material:

- Item ① Solder pin: Brass, Tin plated
- Item ② Spring clamp: Stainless steel
- Item ③ Terminal housing: Thermoplastic (UL94V-0)
- Item ④ Terminal cover: Thermoplastic (UL94V-0)
- Item ⑤ Terminal lever: Thermoplastic (UL94V-HB)
- Item ⑥ Pad board: Thermoplastic (UL94V-0)

Electrical

- Voltage rating: cULus 300V
- Current rating: 15A
- Wire range:
- Solid wire(AWG): 12-28
- Stranded wire(AWG): 12-28
- Wire strip length: 6-7mm
- Withstanding Voltage: 1.6KV
- Operating temperature: -40°C to +115°C
- Soldering temperature: 260°C±5°C/5 Sec
- Safety Approval: cULus

PART NO.: HT xx 40 x 000J0 G

Dim.P=(N-1)×10.16
Dim.L=(N-1)×10.16+6.08
N=Number of poles

POLES	Dim.L	Dim.P
2p-6p	±0.25	±0.25
7p-12p	±0.40	±0.35

No. of poles	Body Color	RoHS compliant
0	Black (RAL9005)	(lead-4%)
02	Red (RAL3001/D)	In copper Alloy
03	Orange(RAL2011/P)	
...	Yellow(RAL1018/A)	
...	Green(RAL6018/T)	
12	Blue (RAL5015/A)	
	8 Grey(RAL7004/P)	
	9 White(RAL1102)	
	C Multiple colors	

mat'l. code	surface ASME Y14.5	tolerance ASME Y14.5	projection	product family TERMINAL BLOCK
ltr	ecn	no	dr	date
tolerances unless otherwise specified				title TERMINAL BLOCK
angles	X.±0.5		MM	SPRING CLAMP,45D WIRE INLET
line	X.X±0.3		scale	dwg no
X'±1'	X.XX±0.1		FCI	sheet 1 of 1
dr	EVIN ZHONG	052814		size
enr	EVIN ZHONG	052814		A4
chr	HANKE FENG	052814		HTxx40x000JOG
appd	SHI JUN	052814		type
sheet index	revision sheet	A	1	CUSTOMER Drawing