

## Excellent Integrated System Limited

Stocking Distributor

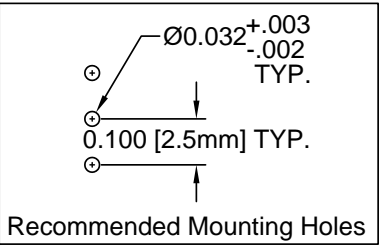
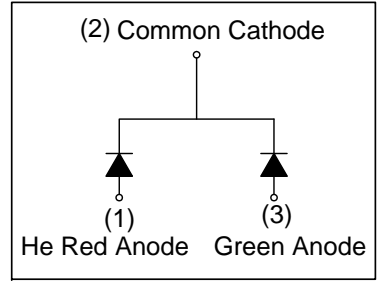
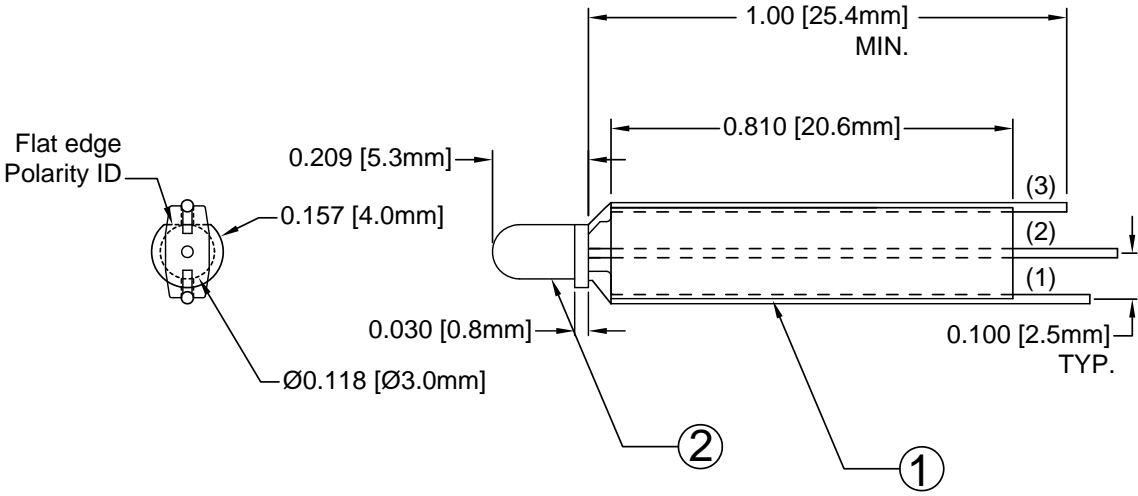
Click to view price, real time Inventory, Delivery & Lifecycle Information:

[Bivar, Inc.](#)  
[ERM18103BC-3](#)

For any questions, you can email us directly:  
[sales@integrated-circuit.com](mailto:sales@integrated-circuit.com)

ITEM	QTY	PART NUMBER	PART DESCRIPTION
1	1	ERM 1-810	Extruded, Self-Retaining LED Holder, .810"
2	1	3BC-3-F	T-1 (3mm) Flanged LED, Bi-Color

REV.	DESCRIPTION	DATE	APPROVED
A	Engineering Release.	08/09/07	M. C.
B	Updated Lead Lengths.	02/01/08	M. C.
C	Engineering Update w/o Changes	05/25/16	J. C.



LED Part No.	Chip			Lens Appearance	Absolute Max. Ratings				Electro-Optical Data @ 20m A			Viewing Angle (Deg)
	Material	Peak Wave Length $\lambda_p$ (nm)	Emitted Color		$\Delta\lambda$ (nm)	Pd (mW)	If (mA)	Peak If (mA)	Vf (V)		Iv (mcd)	
3BC-3-F	GaAsP/GaP	635	HE RED	WHITE DIFFUSED	45	80	30	150	TYP	MAX	TYP	40
	GaP/GaP	568	GREEN		30	80	30	150	2.0	2.6	35.0	

### ABSOLUTE MAXIMUM RATINGS (Ta = 25°C)

OPERATING TEMPERATURE RANGE \_\_\_\_\_ -25°C ~ 85°C  
 STORAGE TEMPERATURE \_\_\_\_\_ -30°C ~ 100°C  
 LEAD SOLDERING TEMPERATURE (1/16" FROM BODY) \_\_\_\_\_ 260°C for 5 Seconds

STANDARD TOLERANCE (UNLESS OTHERWISE SPECIFIED)	
DECIMALS	ANGULAR
.X ±.1	X° ±1°
.XX ±.02	
.XXX ±.010	
DESIGNED: D. Beckman	DATE: 08/09/07
CHECKED: T. Yin	DATE: 08/09/07

4 THOMAS, IRVINE, CA. 92618  
 TEL: (949) 951-8808 FAX: (949) 951-3974

TITLE: EXTRUDED, SELF-RETAINING LED HOLDER ASSY

PART NO: ERM18103BC-3	REVISION: C
CAGE CODE: 32559	SHEET # 1 OF 1

CAD GENERATED DOCUMENT, DO NOT MEASURE DRAWING.