

## Excellent Integrated System Limited

Stocking Distributor

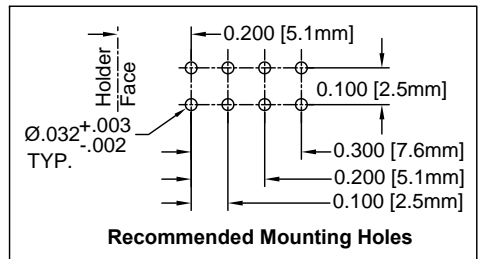
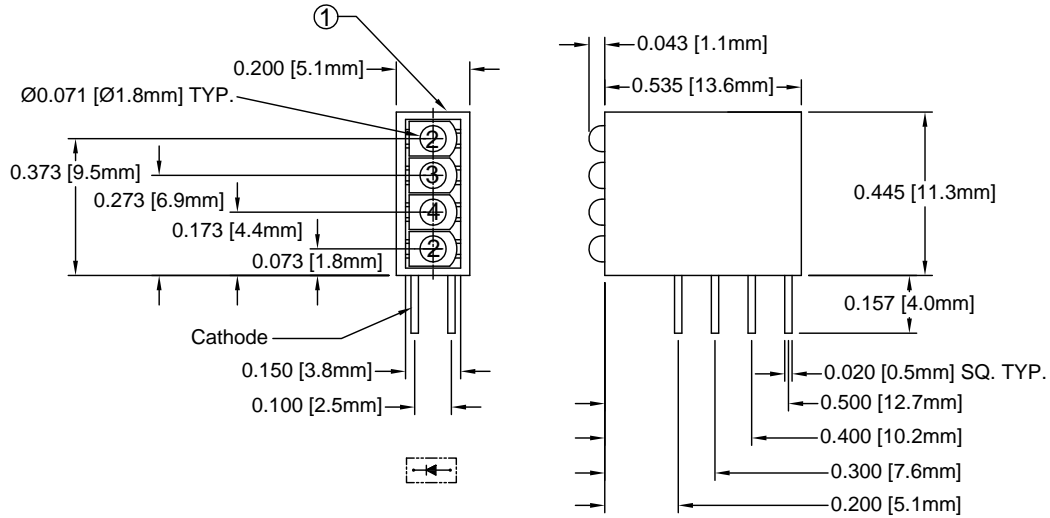
Click to view price, real time Inventory, Delivery & Lifecycle Information:

[Bivar, Inc.](#)  
[H485CYGRYD-RP](#)

For any questions, you can email us directly:  
[sales@integrated-circuit.com](mailto:sales@integrated-circuit.com)

ITEM	QTY	PART NUMBER	PART DESCRIPTION
1	1	H-485C	Quad-Level Sub-Miniature (1.8mm) LED 90° Holder
2	2	1.8YD	Small Footprint, Radial Lead Orientation (1.8mm)
3	1	1.8GD	Small Footprint, Radial Lead Orientation (1.8mm)
4	1	1.8RD	Small Footprint, Radial Lead Orientation (1.8mm)

REV.	DESCRIPTION	DATE	APPROVED
A	Engineering Release.	06/01/06	M. C.
B	Typo Correction	04/22/16	J. C.



LED Part No.	Chip			Lens Appearance	Absolute Max. Ratings				Electro-Optical Data @ 20mA			Viewing Angle (Deg)
	Material	Peak Wave Length $\lambda_p$ (nm)	Emitted Color		$\Delta\lambda$ (nm)	Pd (mW)	If (mA)	Peak If (mA)	Vf (V)		Iv (mcd)	
									TYP	MAX	TYP	
1.8YD	GaAsP/GaP	585	YELLOW	DIFFUSED	35	80	30	150	2.1	2.6	4.5	70
1.8GD	GaP/GaP	565	GREEN	DIFFUSED	30	80	30	150	2.2	2.6	5.0	70
1.8RD	GaP/GaP	700	RED	DIFFUSED	100	45	20	80	2.1	2.8	2.0	70

### ABSOLUTE MAXIMUM RATINGS ( $T_a = 25^\circ\text{C}$ )

- REVERSE VOLTAGE \_\_\_\_\_ 5V
- REVERSE CURRENT ( $V_R=5V$ ) \_\_\_\_\_ 100 $\mu$ A
- OPERATING TEMPERATURE RANGE \_\_\_\_\_ -25 $^\circ\text{C}$  ~ 85 $^\circ\text{C}$
- STORAGE TEMPERATURE \_\_\_\_\_ -30 $^\circ\text{C}$  ~ 100 $^\circ\text{C}$
- LEAD SOLDERING TEMPERATURE (1/16" FROM BODY) \_\_\_\_\_ 260 $^\circ\text{C}$  for 5 Seconds

STANDARD TOLERANCE (UNLESS OTHERWISE SPECIFIED)		 4 THOMAS, IRVINE, CA. 92618 TEL: (949) 951-8808 FAX: (949) 951-3974
DECIMALS	ANGULAR	
.X $\pm .1$	X $^\circ$ $\pm 1^\circ$	TITLE: Sub-Miniature (1.8mm) RP 90° Quad-Level LED Assembly
.XX $\pm .02$		
.XXX $\pm .010$		
DESIGNED: <b>Sonny Dam</b>	DATE: <b>06/01/06</b>	PART NO: <b>H485CYGRYD-RP</b>
CHECKED: <b>T. Yin</b>	DATE: <b>06/01/06</b>	REVISION: <b>B</b>
CAGE CODE : 32559		SHEET # 1 OF 1
CAD GENERATED DOCUMENT. DO NOT MEASURE DRAWING.		