

Excellent Integrated System Limited

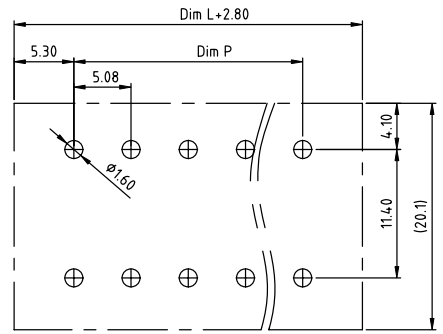
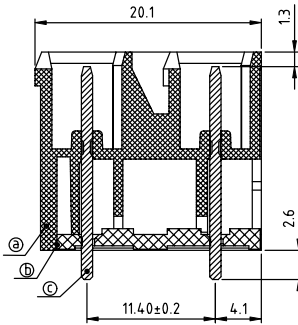
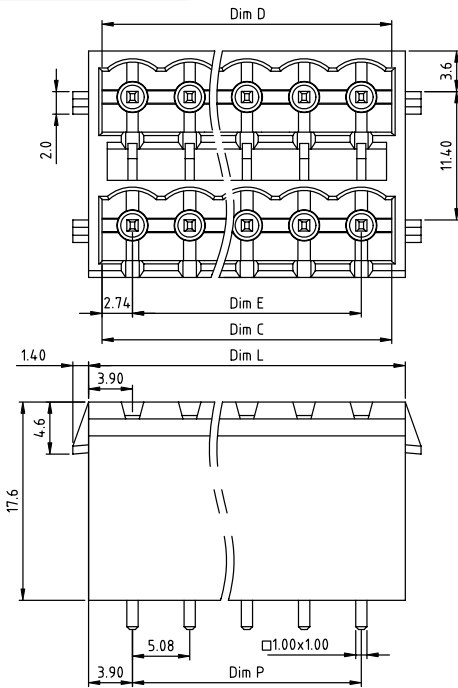
Stocking Distributor

Click to view price, real time Inventory, Delivery & Lifecycle Information:

[FCI](#)
[KE04535200J0G](#)

For any questions, you can email us directly:
sales@integrated-circuit.com

PRODUCT NUMBER	PITCH
KExx53x200J0G	5.08 mm



RECOMMENDED P.C.B LAYOUT
TOP VIEW

- Material:
- Item ① Terminal(housing): Thermoplastic (UL94V-0)
 - Item ② Terminal(cover): Thermoplastic (UL94V-0)
 - Item ③ Pin: Copper Tin plated
- Electrical:
- Voltage rating: 300V
 - Current rating: 12A
 - Withstanding Voltage: 1.6KV
 - Operating temperature: -40°C to +115°C
 - Soldering temperature: 260°C±5°C/5 Sec
 - Safety Approval: cULus

PART NO.: KE xx 5 3 x 2 00J0 G

N=Number of poles Dim C=(N/2-1)x5.08+5.48
Dim L=N/2x5.08+2.72 Dim D=(N/2-1)x5.08+5.48
Dim P=(N/2-1)x5.08 Dim E=(N/2-1)x5.08

Poles	Dim L	Dim P	Dim C	Dim D	Dim E
2x2P-2x6P	±0.15	±0.15	+0.05 -0.05	+0.05 -0.05	±0.15
2x7P-2x12P	±0.25	±0.25	+0.10 -0.05	+0.10 -0.05	±0.25
2x13P-2x18P	±0.35	±0.35	+0.20 -0.05	+0.20 -0.05	±0.35
2x19P-2x24P	±0.40	±0.40	+0.25 -0.10	+0.25 -0.10	±0.40

Solid block	No. of poles	Color	RoHS compliant
0	2	Black (RAL9005)	(lead-4%)
2	2	Red (RAL3001/D)	In copper Alloy
04	2x2poles	3 Orange(RAL2011/P)	
06	2x3poles	4 Yellow(RAL1018/A)	
...	...	5 Green(RAL6018/T)	
48	2x24poles	6 Blue (RAL5015/A)	
		8 Grey(RAL7035/D)	
		9 White(RAL1102)	
		C Green(RAL6018/U)	

mat'l. code	surface	tolerance	projection	product family
itr	ASME Y14.5	ASME Y14.5	MM	TERMINAL BLOCK
ecn	tolerances unless otherwise specified			title
no	angles	X.±0.5	MM	TERMINAL BLOCK
dr	X'±1'	X.X±0.3	scale	PLUGGABLE SOCKET,VERTICAL,W/LATCH HOLDER
date	dr	EVIN ZHONG 042414	FCI	sheet 1 of 1
	enrg	EVIN ZHONG 042414		size
	chr	HANKE FENG 042414		A4
	appd	SHI JUN 042414		type
sheet index	revision sheet	A 1		CUSTOMER Drawing