

Excellent Integrated System Limited

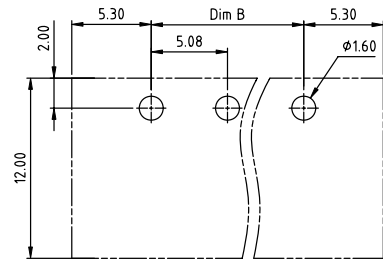
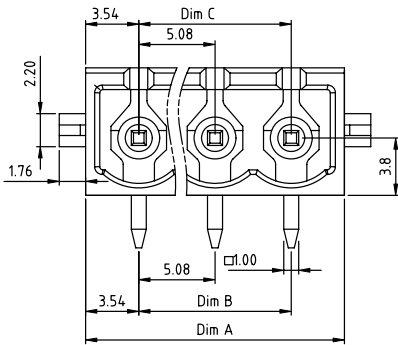
Stocking Distributor

Click to view price, real time Inventory, Delivery & Lifecycle Information:

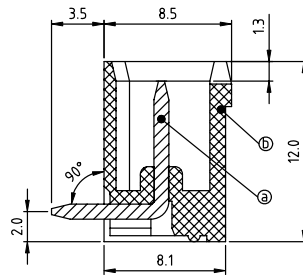
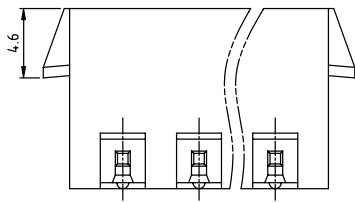
[FCI](#)
[OQ02545103J0G](#)

For any questions, you can email us directly:
sales@integrated-circuit.com

PRODUCT NUMBER	PITCH
OQxx54x103J0G	5.08 mm



RECOMMENDED P.C.B. LAYOUT
TOP VIEW



Material:

- Item ① Male contact pin: Copper Tin plated
- Item ② Terminal housing: Thermoplastic (UL94V-0)

Electrical:

- cULus /VDE /TUV
- Voltage rating: 300V/300V/300V
- Current rating: 20A/20A/20A
- Withstanding Voltage: 1.6 KV/2.5KV/2.5KV
- Operating temperature: -40°C to +115°C
- Soldering temperature: 260°C±5°C/5 Sec
- Safety Approval: cULus VDE TUV

DIMENSION

Dim A	N×5.08+2.0
Dim B&C	(N-1)×5.08
N = Number of poles	
Poles	Tolerance
2-6p	±0.15
7-12p	±0.20
13-18p	±0.30
19-24p	±0.40

PART NO.: OQ xx 5 4 x 1 03J0 G

No. of poles	0 Black (RAL9005)	RoHS compliant (lead<4%) In copper Alloy
02 2 poles	2 Red (RAL3001/D)	
03 3 poles	3 Orange(RAL2011/P)	
...	4 Yellow(RAL1018/A)	
24 24 poles	5 Green(RAL6018/T)	
	6 Blue (RAL5015/A)	
	8 Grey(RAL7035/D)	
	9 White(RAL1102)	
	C Green(RAL6018/U)	

mat'l. code	surface ASME Y14.5	tolerance ASME Y14.5	projection	product family TERMINAL BLOCK
ltr	ecn no	dr	date	title TERMINAL BLOCK
tolerances unless otherwise specified				PLUGGABLE SOCKET, WITH LATCH, RIGHT ANGLE
angles	X.±0.5		MM	sheet 1 of 1
size	X.X±0.3		scale	size A4
dr	HANKE FENG	040314	FCI	dwg no OQxx54x103J0G
enrg	HANKE FENG	040314		type CUSTOMER Drawing
chr	SHI JUN	040314		
appd	SHI JUN	040314		
sheet index	revision sheet	A 1		