

## Excellent Integrated System Limited

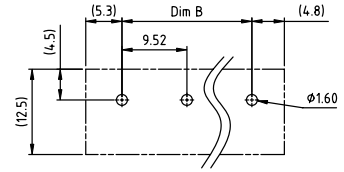
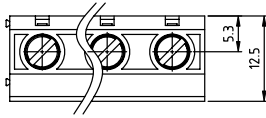
Stocking Distributor

Click to view price, real time Inventory, Delivery & Lifecycle Information:

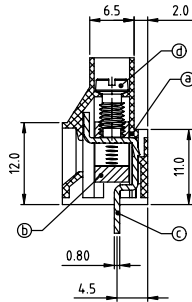
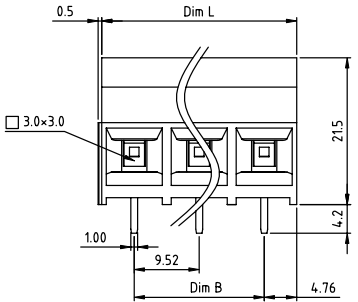
[FCI](#)  
[T702235000J0G](#)

For any questions, you can email us directly:  
[sales@integrated-circuit.com](mailto:sales@integrated-circuit.com)

PRODUCT NUMBER	PITCH
T7xx23x000J0G	9.52 mm



RECOMMENDED P.C.B LAYOUT  
TOP VIEW



- Material:**
- Item①Terminal housing: Thermoplastic (UL 94V-0)
  - Item②Clamp: Brass, Ni plated
  - Item③Solder pin: Copper, Tin plated
  - Item④Terminal screw: Steel Zinc plating"-slot type
- Electrical**
- |  |                         |
|--|-------------------------|
| cULus                                    | TUV                     |
| ● Voltage rating: 300VAC                 | 750VAC                  |
| ● Current rating: 30A                    | 41A                     |
| ● Wire range:                            | 0.20-6.0mm <sup>2</sup> |
| ● Solid wire(AWG): 10-24                 |                         |
| ● Stranded wire(AWG): 10-24              |                         |
| ● Torque: 6.9 Lb-in                      | 0.85 N.m                |
| ● Screw: M3.5                            |                         |
| ● Wire strip length: 6-7mm               |                         |
| ● Withstanding Voltage: 1.6KV            | 3.0KV                   |
| ● Operating temperature: -40°C to +115°C |                         |
| ● Soldering temperature: 260°C±5°C/5 Sec |                         |
| ● Safety Approval:                       | ULus, TUV               |

PART NO.: T7 xx 2 3 x 0 00J0 G

N = Number of poles  
Dim L=Nx9.52  
Dim B=(N-1)x9.52

Poles	Tolerance
2-6p	±0.20
7-11p	±0.30
12-16p	±0.40

End Stackable	0	Black (RAL9005)	RoHS compliant (lead<4%)
No. of poles	2	Red (RAL3001/D)	In copper Alloy
03	3 poles	3 Orange(RAL2011/P)	
...	...	4 Yellow(RAL1018/A)	
16	16 poles	5 Green(RAL6018/T)	
		6 Blue (RAL5015/A)	
		8 Grey(RAL7035/D)	
		9 White(RAL1102)	
		C Green(RAL6018/U)	

mat'l. code	surface ASME Y14.5	tolerance ASME Y14.5	projection	product family TERMINAL BLOCK
ltr	ecn	no	dr	date
tolerances unless otherwise specified				title TERMINAL BLOCK
angles	X.±0.5		MM	type RISING CLAMP, 180D WIRE INLET, END STACKABLE
X'±1'	X.X±0.3		scale	dwg no T7xx23x000J0G
dr	EVIN ZHONG	041414	<b>FCI</b>	sheet 1 of 1
enrg	EVIN ZHONG	041414		size A4
chr	HANKE FENG	041414		type CUSTOMER Drawing
appd	SHI JUN	041414		
sheet index	revision sheet	A 1		