

Excellent Integrated System Limited

Stocking Distributor

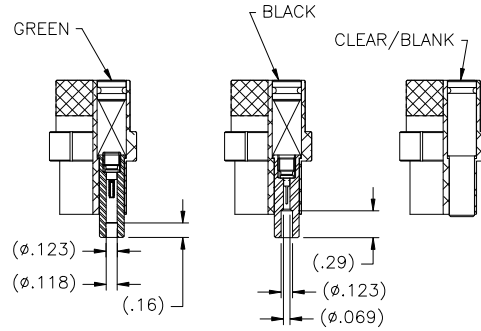
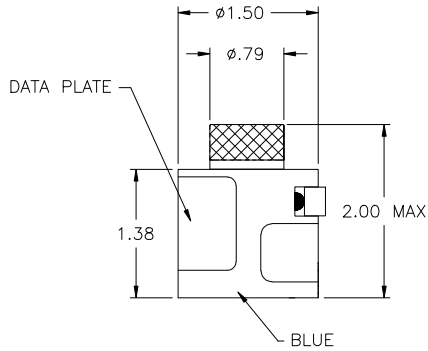
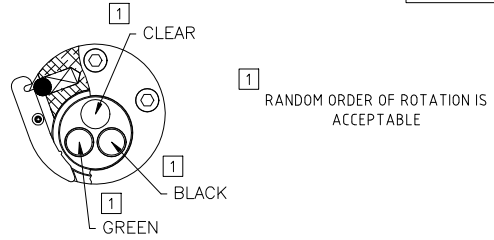
Click to view price, real time Inventory, Delivery & Lifecycle Information:

[Astro Tool Corp.](#)
[600475](#)

For any questions, you can email us directly:

sales@integrated-circuit.com

**UNCONTROLLED DOCUMENT
WILL NOT BE UPDATED**



TYPICAL CONSTRUCTION

HOLE DEPTHS ARE MEASURED FROM TOP OF POSITIONER INSERTS.

SOURIAU 8526-11. USE WITH OUTER FERRULE CONTACTS			
PIN (BLACK)	SOCKET (GREEN)	CABLE	SELECTOR NO.
8526-2-001	8526-1-001	RG-316U	8
8526-2-002	8526-1-002	RG-178U	
8526-2-003	8526-1-003	RG-179U	

DATA PLATE

A	NEW RELEASE.	DYO	10-11-11	MMK	<small>THESE DRAWINGS, SPECIFICATIONS OR OTHER DATA ARE AND REMAIN, THE PROPERTY OF ASTRO TOOL CORP. AND MUST BE RETURNED UPON REQUEST. THEY CONTAIN INFORMATION OWNED AND/OR DEVELOPED BY ASTRO AT ITS OWN PRIVATE EXPENSE AND MAY NOT BE USED, DUPLICATED OR DISCLOSED TO OTHERS, IN WHOLE OR IN PART FOR DESIGN, MANUFACTURE OR PROCUREMENT WITHOUT THE WRITTEN PERMISSION OF ASTRO TOOL CORP. EACH AND EVERY TIME.</small>	SCALE:	N.T.S.	UNLESS OTHERWISE SPECIFIED:	 2165 S.W. TUALATIN VALLEY HWY., BEAVERTON OR 97006	CAGE 58164
						DOWN BY:	DYO	DECIMALS:		
REV.	DESCRIPTION	BY	DATE	APR.		DATE:	10-11-11	APPROVED:	DESCRIPTION: ENVELOPE DRAWING: 600475 TURRET ASSEMBLY	
									PART NO. B	600475-ENV

NOTES: 1. THIS IS AN AUTOCAD DRAWING DO NOT CHANGE MANUALLY