

Excellent Integrated System Limited

Stocking Distributor

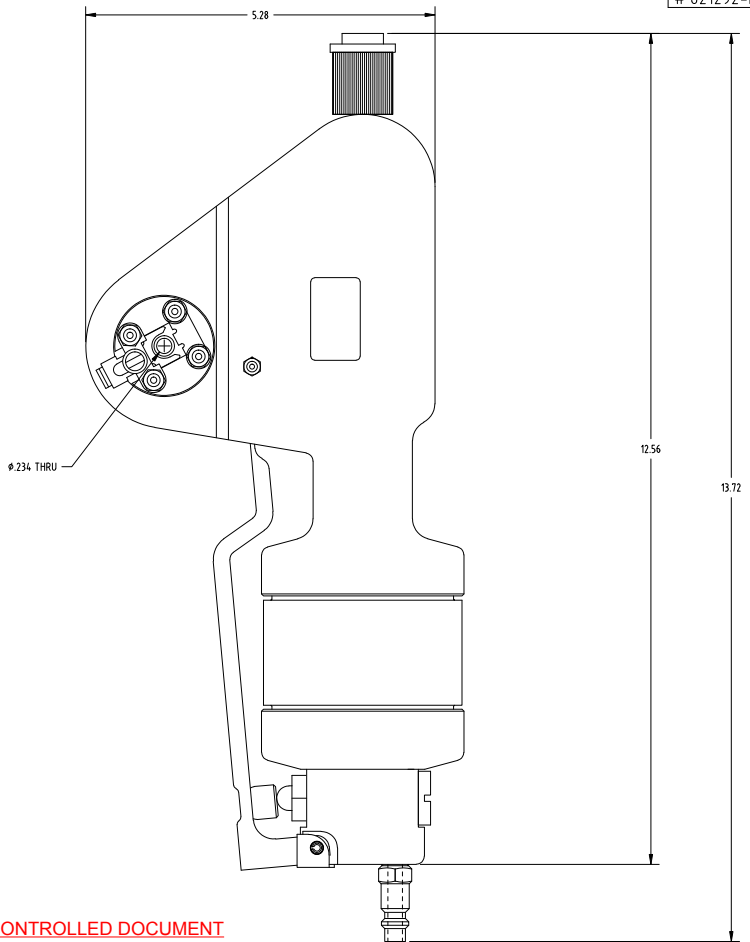
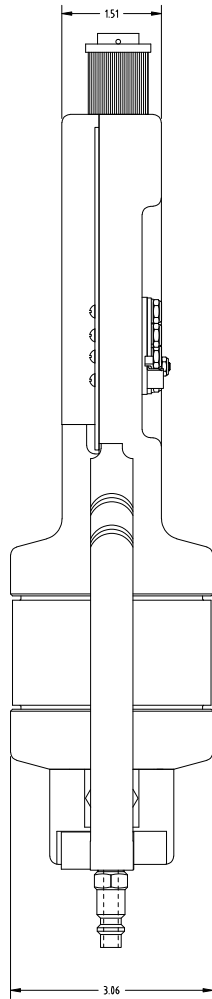
Click to view price, real time Inventory, Delivery & Lifecycle Information:

[Astro Tool Corp.](#)
[621292](#)

For any questions, you can email us directly:

sales@integrated-circuit.com

621292-ENV



**UNCONTROLLED DOCUMENT
WILL NOT BE UPDATED**

- 5. TOTAL WEIGHT: 4 lbs.
- 4. OPERATING AIR PRESSURE: 80-100 PSI
- 3. AIR FILTER, REGULATOR AND LUBRICATOR MUST BE USED IN AIR LINE.
- 2. REF. CRIMP RANGE: .025-.075.

NOTES: 1. THIS IS AN AUTOCAD DRAWING DO NOT CHANGE MANUALLY!

<p>THESE DRAWINGS, SPECIFICATIONS OR OTHER DATA ARE AND REMAIN THE PROPERTY OF ASTRO TOOL CORP. AND MUST BE RETURNED TO THEM IMMEDIATELY UPON REQUEST. THEY CONTAIN INFORMATION OWNED AND DEVELOPED BY ASTRO TOOL CORP. UNLESS OTHERWISE NOTED. THIS INFORMATION IS UNCLASSIFIED AND MAY NOT BE USED FOR REPRODUCTION OR DISSEMINATION WITHOUT THE WRITTEN PERMISSION OF ASTRO TOOL CORP. EISA AND EISA, INC.</p>				<p>SCALE: N.T.S.</p> <p>UNLESS OTHERWISE SPECIFIED:</p> <p>DECIMALS: 3</p> <p>FRACTIONS: 16</p> <p>ANGLES: 1°</p>	<p>ASTRO TOOL CORP.</p> <p>ENIS S.W. TUALATIN VALLEY HWY., BEAVERTON OR 97004</p>	<p>CASE 58164</p>
<p>A NEW RELEASE.</p>	<p>DYO</p>	<p>10-10-10</p>	<p>MMK</p>	<p>DATE: 10-10-10</p> <p>APPROVED:</p>	<p>DESCRIPTION: ENVELOPE DRAWING: 621292 EXTERNAL ADJ. PNEUMATIC CRIMP TOOL</p>	<p>PART NO. C 621292-ENV</p>
<p>REV. DESCRIPTION</p>	<p>BY</p>	<p>DATE</p>	<p>APP.</p>	<p>APPROVED:</p>	<p>DESCRIPTION</p>	<p>PART NO.</p>